



Chipsmall Limited consists of a professional team with an average of over 10 year of expertise in the distribution of electronic components. Based in Hongkong, we have already established firm and mutual-benefit business relationships with customers from,Europe,America and south Asia,supplying obsolete and hard-to-find components to meet their specific needs.

With the principle of "Quality Parts,Customers Priority,Honest Operation,and Considerate Service",our business mainly focus on the distribution of electronic components. Line cards we deal with include Microchip,ALPS,ROHM,Xilinx,Pulse,ON,Everlight and Freescale. Main products comprise IC,Modules,Potentiometer,IC Socket,Relay,Connector.Our parts cover such applications as commercial,industrial, and automotives areas.

We are looking forward to setting up business relationship with you and hope to provide you with the best service and solution. Let us make a better world for our industry!



## Contact us

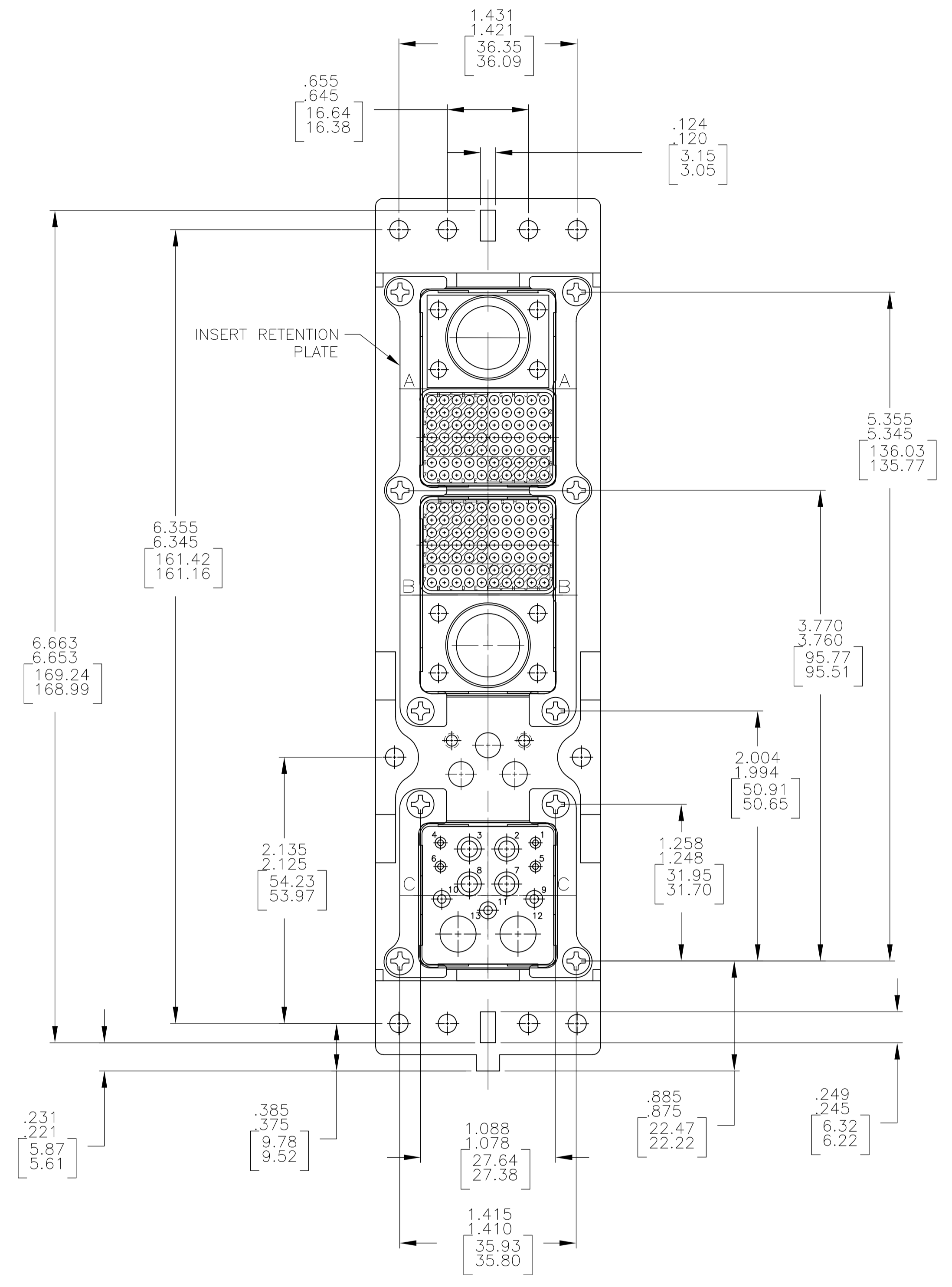
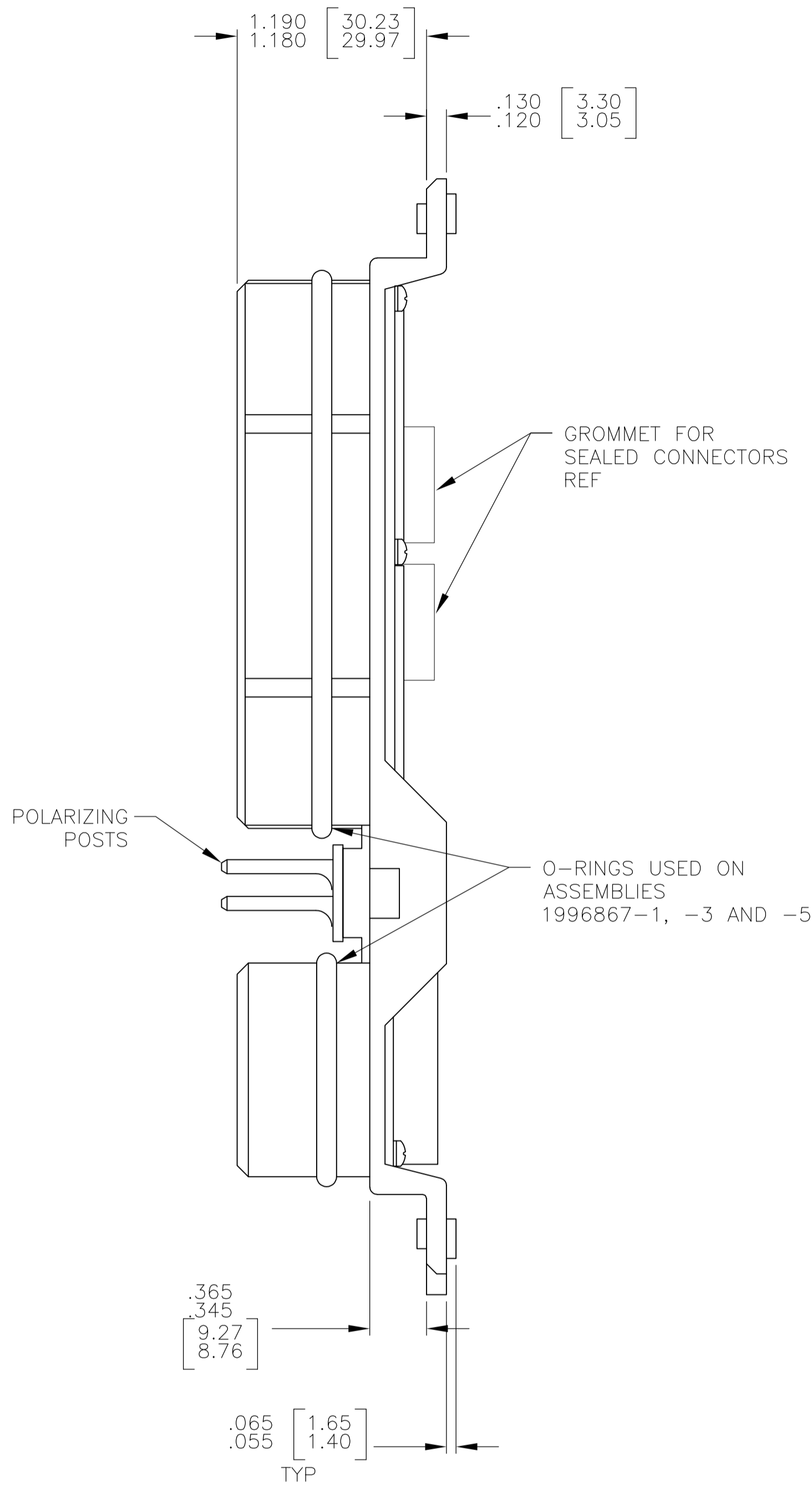
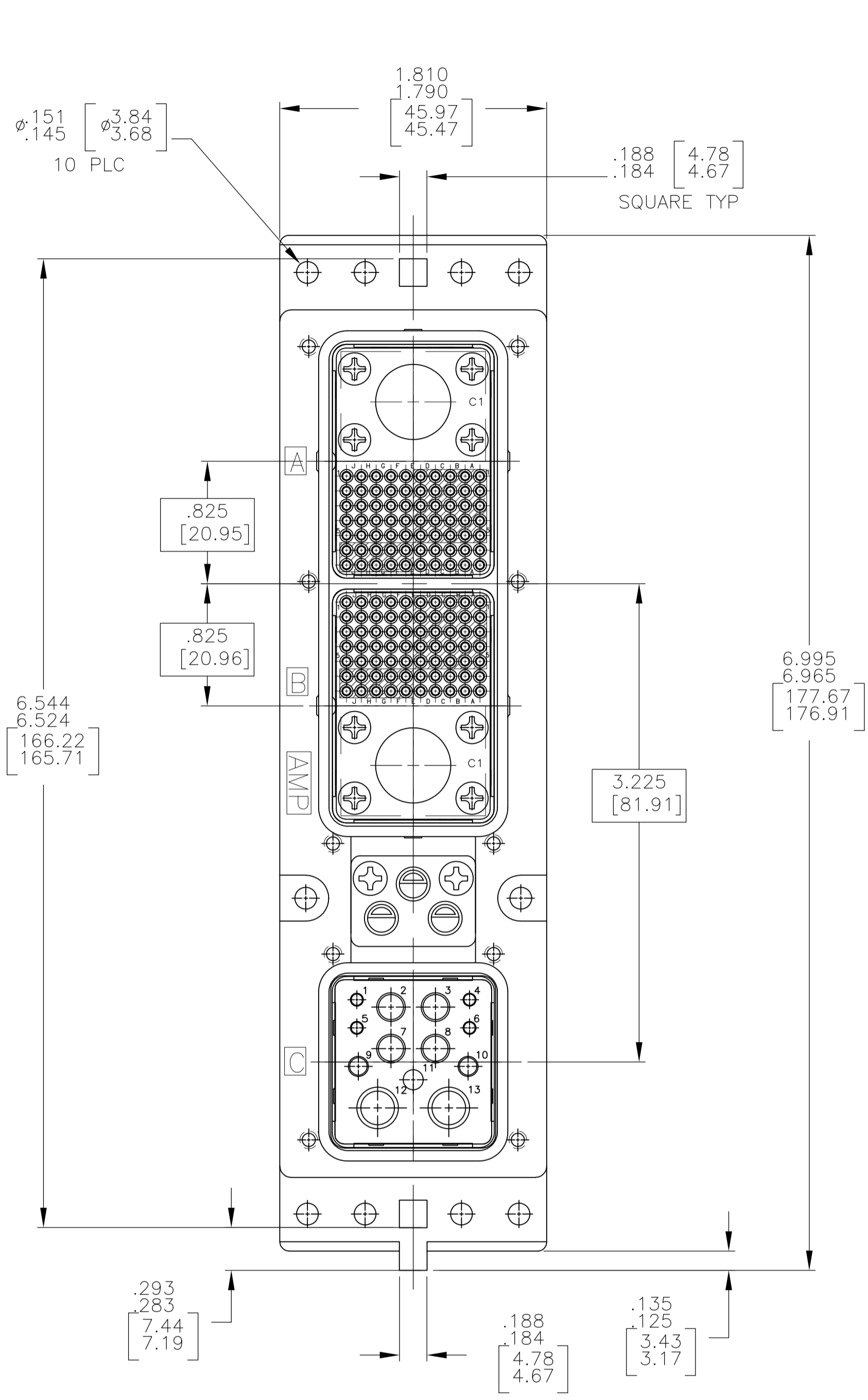
Tel: +86-755-8981 8866 Fax: +86-755-8427 6832

Email & Skype: info@chipsmall.com Web: www.chipsmall.com

Address: A1208, Overseas Decoration Building, #122 Zhenhua RD., Futian, Shenzhen, China



REVISONS		DATE	DWN	APVD
LOC	DIST	DESCRIPTION		
D	REV PER ECO-12-020417		KG	WB



- CONNECTOR DIMENSIONS ARE PER ARINC 600 SPECIFICATION
- DUST COVER IS INCLUDED AND INSTALLED FOR SHIPPING. (NOT SHOWN)
- KEYING SHOWN IN POSITION "01" FOR REFERENCE ONLY. SEE TABLE FOR KEYING POSITION. FOR POSITION "00" KEYING SHIPPED UNASSEMBLED.

COMPONENT	MATERIAL	FINISH	NIC NUMBER	DESCRIPTION	KEYING POSITION	PART NUMBER
SHELL	DIE CAST ALUMINUM PER ASTM-B-85	CHEMICAL COVERSION PER MIL-C-5541, CLASS 1A	NIC66H20BO0AA1	SEALED	00	1996867-5
			NIC66H20AO8AA1	UNSEALED	08	1996867-4
			NIC66H20B08AA1	SEALED	08	1996867-3
			NIC66H20A18AA1	UNSEALED	18	1996867-2
			NIC66H20B18AA1	SEALED	18	1996867-1
RETENTION PLATES	ALUMINUM ALLOY PER ASTM-B-209	CHEMICAL COVERSION PER MIL-C-5541, CLASS 1A				
SCREWS AND LOCKWASHERS	STEEL OR STAINLESS STEEL	CHROMATE OVER ZINC OR PASSIVATED				
POLARIZING POSTS	ZINC ALLOY PER ASTM-B-86	ELECTROLESS NICKEL PER MIL-C-26074 CLASS 4, GRADE B				
POLARIZING POST RETAINING PLATE	ALUMINUM ALLOY PER ASTM-B-209	BLUE ANODIZED PER MIL-A-8625				
ALL INSERTS	THERMOSET	-				

THIS DRAWING IS A CONTROLLED DOCUMENT. DIMENSIONING AND TOLERANCING PER ASME Y14.5M (ISO STANDARDS)		DWN C.C.THOMAS 7-17-08	 TE Connectivity
DIMENSIONS: INCHES		CHK K.THACKSTON 7-17-08	
TOLERANCES UNLESS OTHERWISE SPECIFIED:		APVD K.THACKSTON 7-17-08	
0 PLC ± .005	1 PLC ± .005	2 PLC ± .005	NAME PLUG ASSY, SIZE 2, ARINC 600, (71C1A/71C1/13C2)
3 PLC ± .005	4 PLC ± .005	ANGLES ± .005	APPLICATION SPEC
MATERIAL SEE TABLE	FINISH SEE TABLE	WEIGHT	SIZE CAGE CODE DRAWING NO RESTRICTED TO
			A1 00779 C=1996867
CUSTOMER DRAWING		SCALE 3:2	SHEET 1 OF 1 REV D