



Chipsmall Limited consists of a professional team with an average of over 10 year of expertise in the distribution of electronic components. Based in Hongkong, we have already established firm and mutual-benefit business relationships with customers from,Europe,America and south Asia,supplying obsolete and hard-to-find components to meet their specific needs.

With the principle of "Quality Parts,Customers Priority,Honest Operation,and Considerate Service",our business mainly focus on the distribution of electronic components. Line cards we deal with include Microchip,ALPS,ROHM,Xilinx,Pulse,ON,Everlight and Freescale. Main products comprise IC,Modules,Potentiometer,IC Socket,Relay,Connector.Our parts cover such applications as commercial,industrial, and automotives areas.

We are looking forward to setting up business relationship with you and hope to provide you with the best service and solution. Let us make a better world for our industry!



Contact us

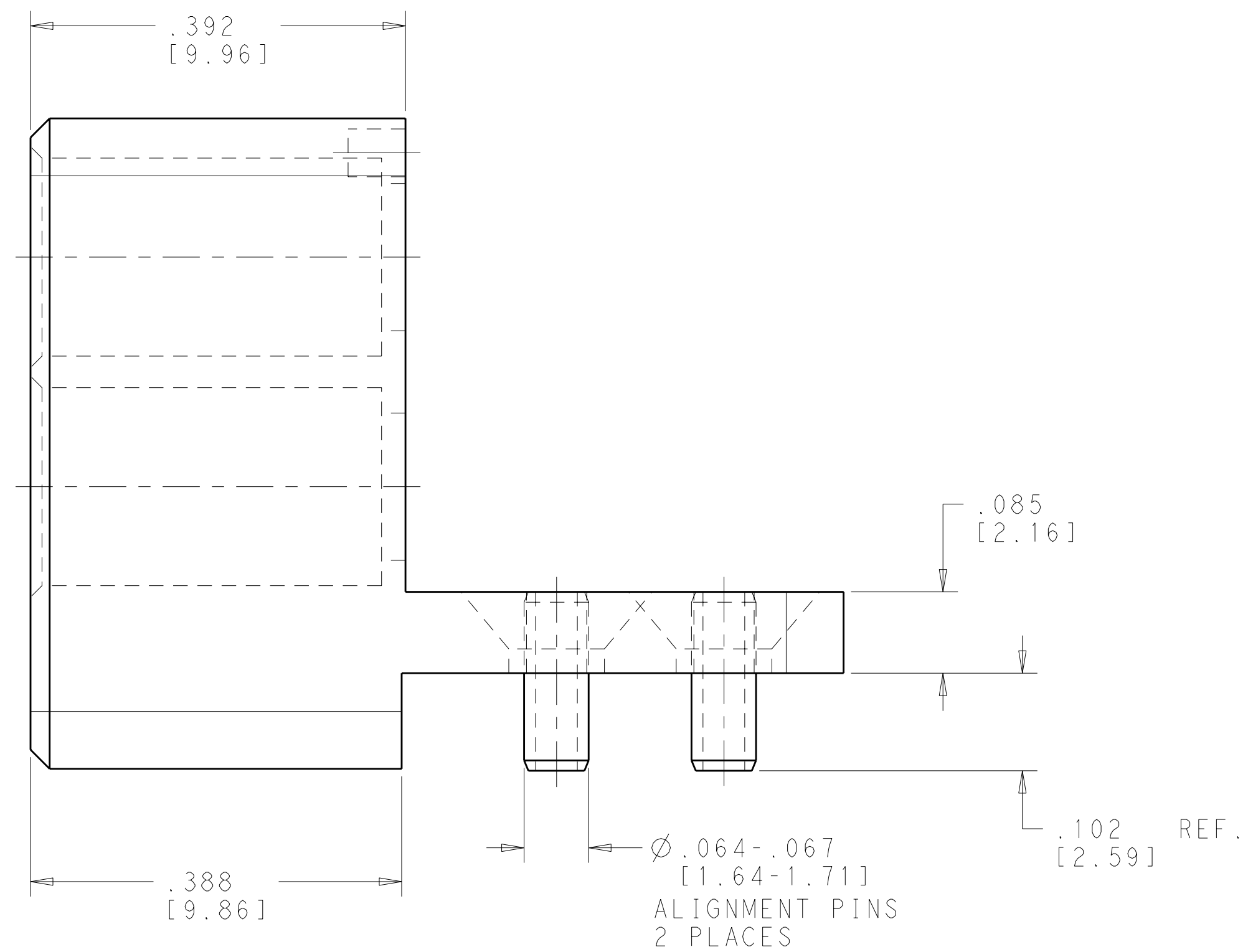
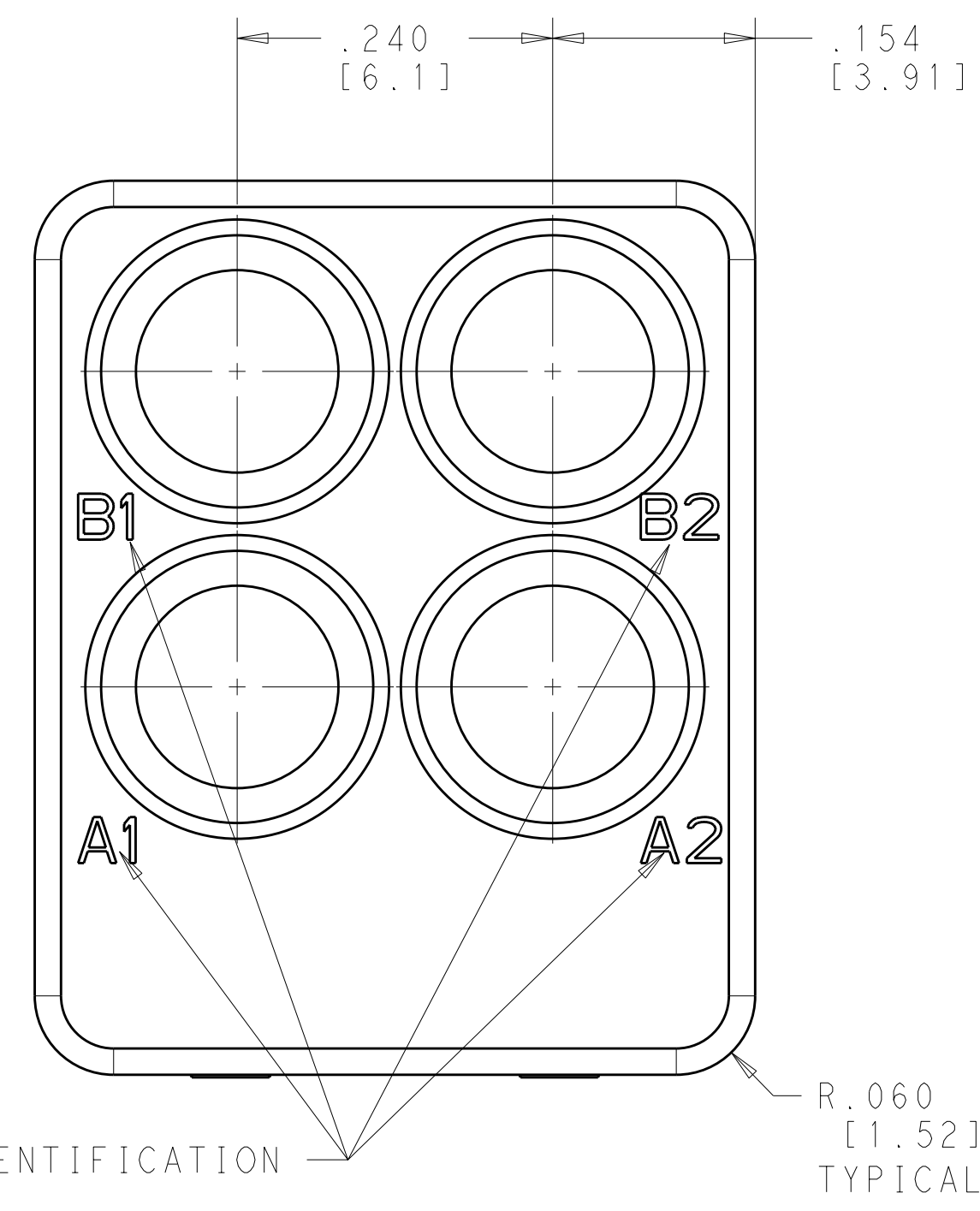
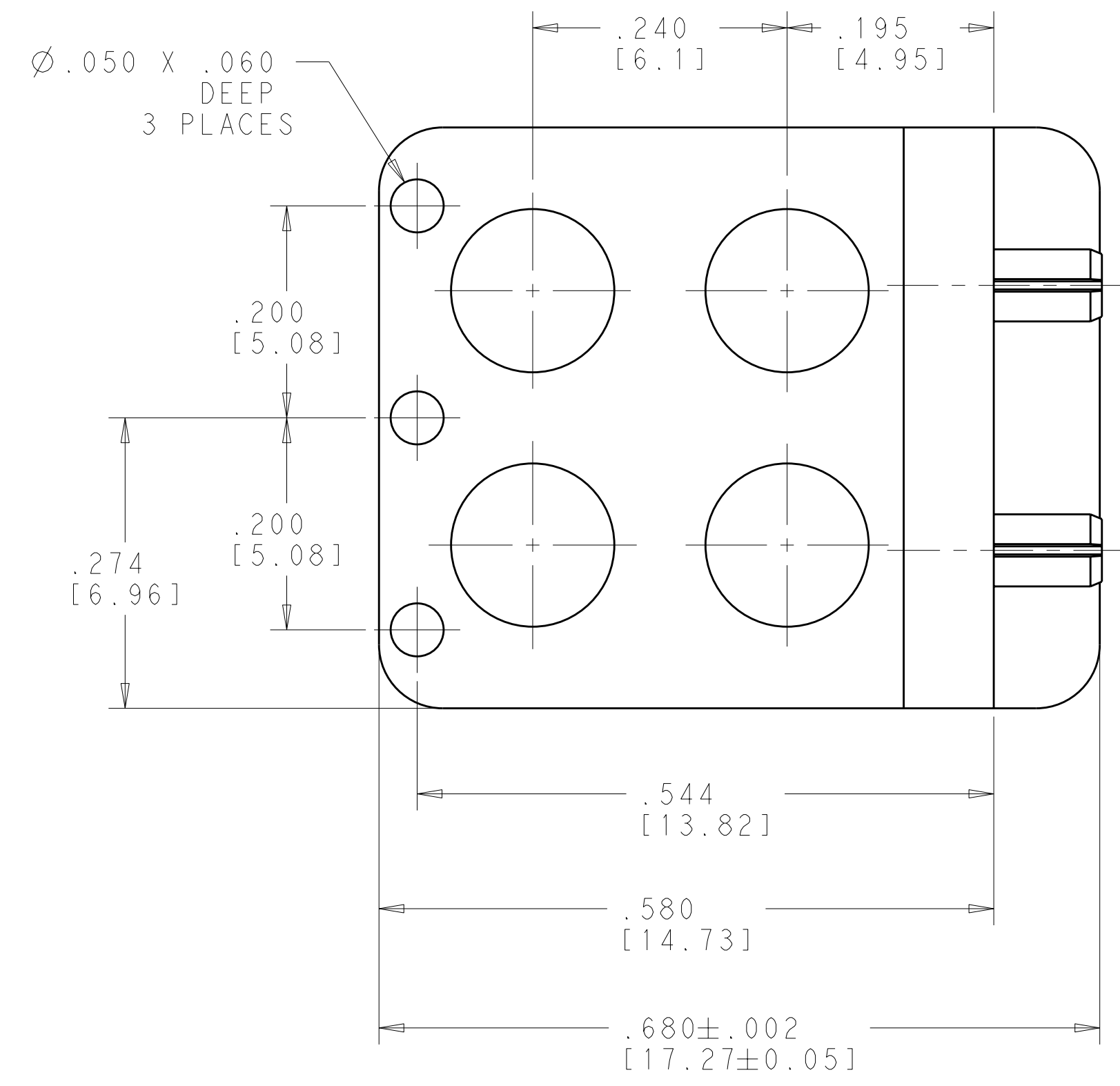
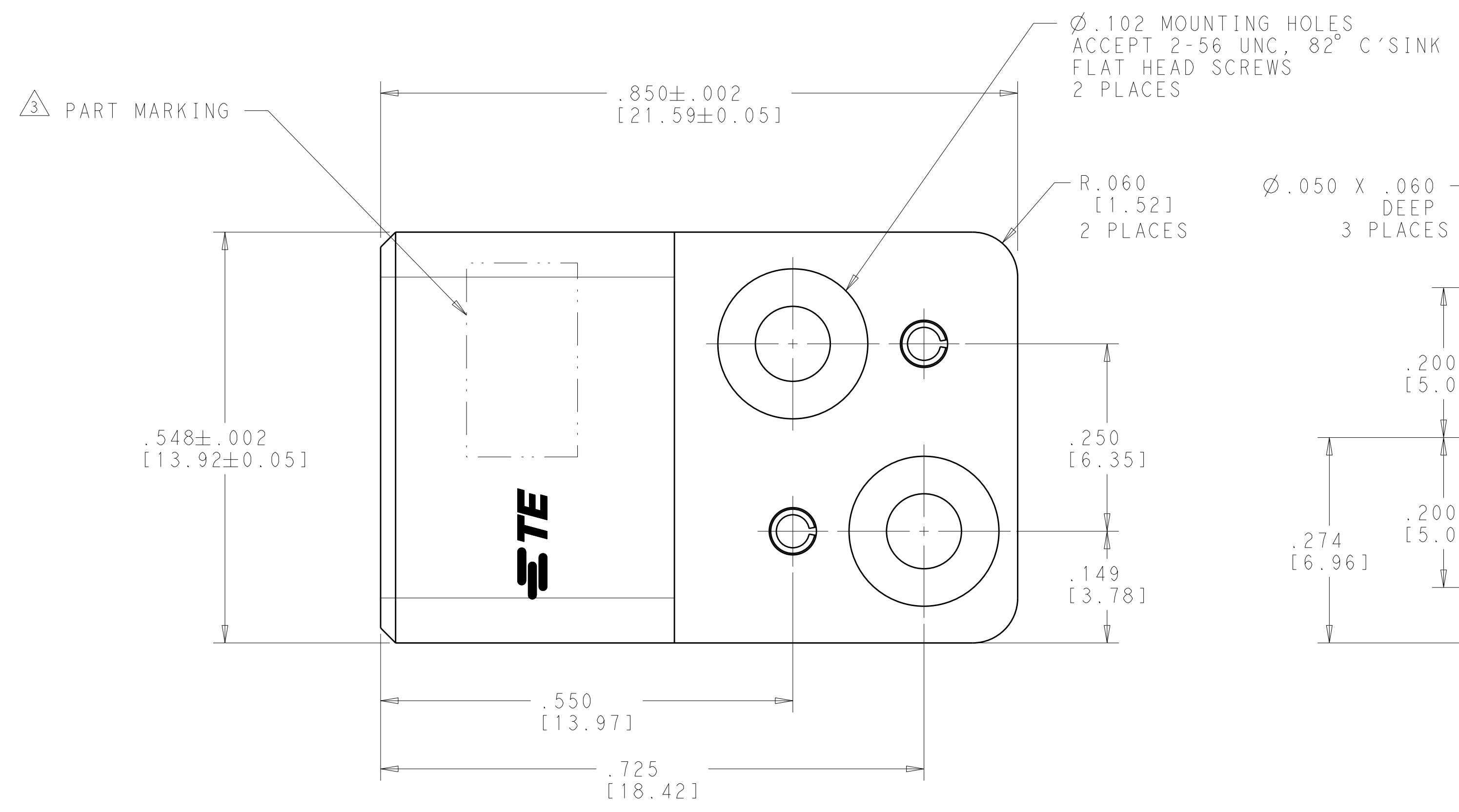
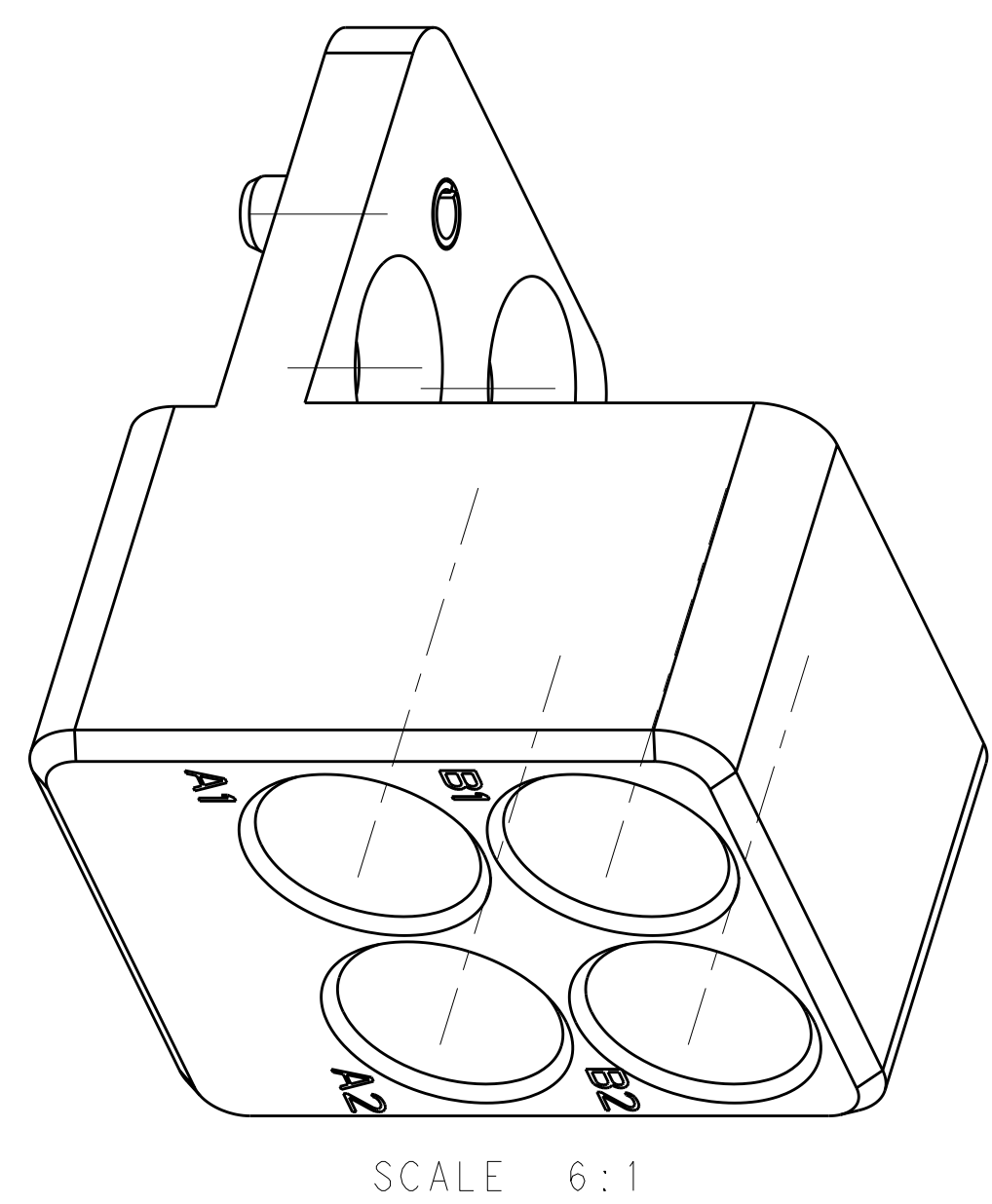
Tel: +86-755-8981 8866 Fax: +86-755-8427 6832

Email & Skype: info@chipsmall.com Web: www.chipsmall.com

Address: A1208, Overseas Decoration Building, #122 Zhenhua RD., Futian, Shenzhen, China



LOC	DIST	REV	DESCRIPTION	DATE	DWN	APVD
-	-	G	RELEASED PER ECO 11-014630	7-22-11	CT	WM



- △ MATERIAL:
MODULE BODY - STAINLESS STEEL, PER UNS S30300
SPRING PINS - WORK HARDENED NICKEL STAINLESS STEEL
- △ FINISH:
MODULE BODY AND SPRING PINS - PASSIVATED
- △ PART MARKING:
TE CONNECTIVITY PART NUMBER, CAGE CODE AND DATE CODE
- △ CAVITY IDENTIFICATION MARKING

1996883-4	△3/△4	1996883-4
-----	-----	1996883-3
TE PART MARKING	MARKING REQUIREMENT	PART NUMBER

THIS DRAWING IS A CONTROLLED DOCUMENT.		DWN S.T. Morley 11AUG2009	TE Connectivity
DIMENSIONS: INCHES(mm)		CHK S.T. Morley 11AUG2009	
TOLERANCES UNLESS OTHERWISE SPECIFIED:		APVD S.T. Morley 11AUG2009	
9 PLC ±.1 7 PLC ±.01 5 PLC ±.001 4 PLC ±.0005 ANGLES ±1.0°		NAME 4 POSITION R.F. MODULE P.C.B. MOUNT - DAUGHTER CARD VITA 67, 3U (1/2 SIZE)	
MATERIAL	FINISH	PRODUCT SPEC	RESTRICTED TO
		APPLICATION SPEC	SIZE CAGE CODE DRAWING NO
		WEIGHT .512 oz	A100779C=1996883
		CUSTOMER DRAWING	SCALE 8:1 SHEET 1 OF 1 REV G