



Chipsmall Limited consists of a professional team with an average of over 10 year of expertise in the distribution of electronic components. Based in Hongkong, we have already established firm and mutual-benefit business relationships with customers from,Europe,America and south Asia,supplying obsolete and hard-to-find components to meet their specific needs.

With the principle of “Quality Parts,Customers Priority,Honest Operation,and Considerate Service”,our business mainly focus on the distribution of electronic components. Line cards we deal with include Microchip,ALPS,ROHM,Xilinx,Pulse,ON,Everlight and Freescale. Main products comprise IC,Modules,Potentiometer,IC Socket,Relay,Connector.Our parts cover such applications as commercial,industrial, and automotives areas.

We are looking forward to setting up business relationship with you and hope to provide you with the best service and solution. Let us make a better world for our industry!



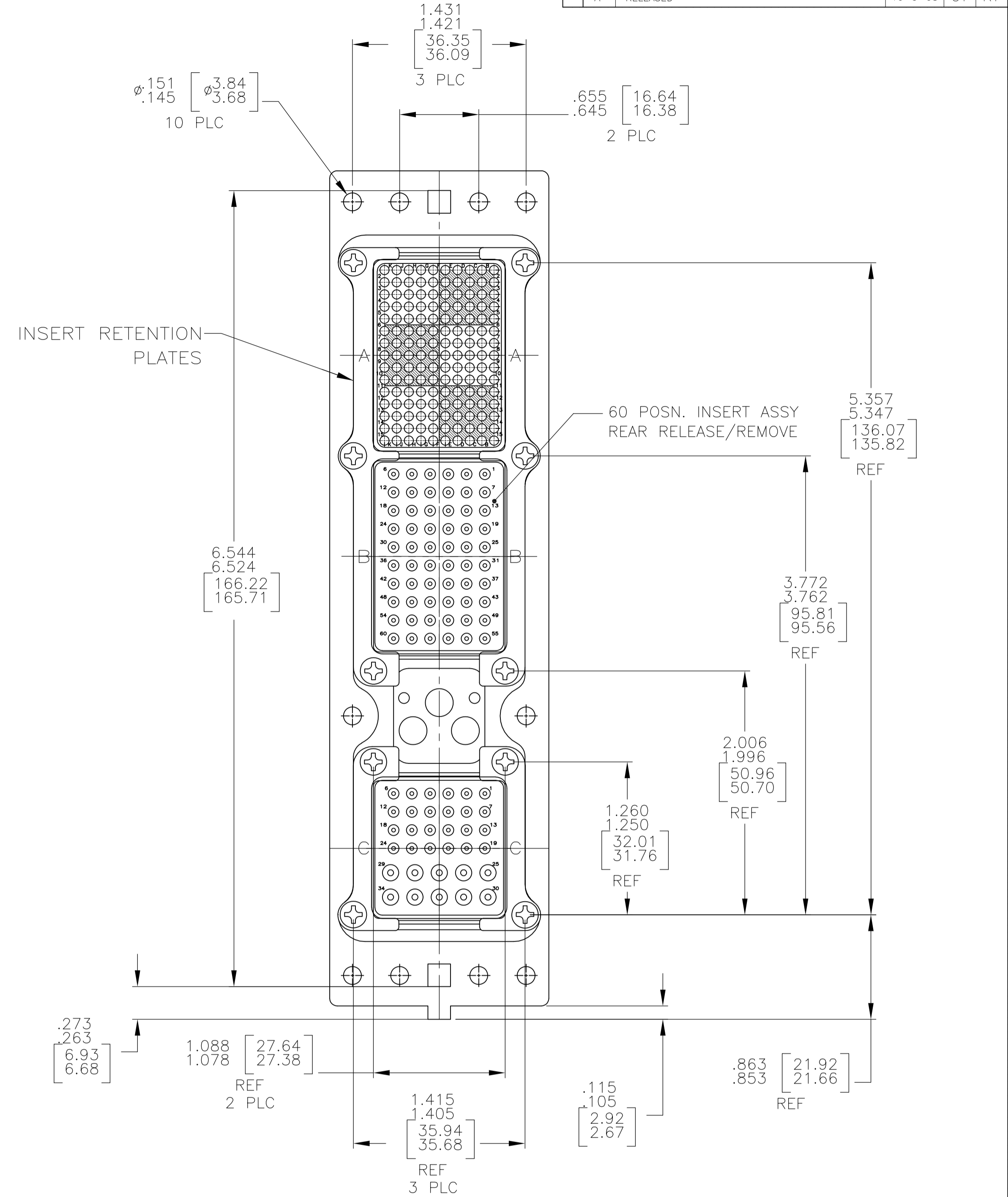
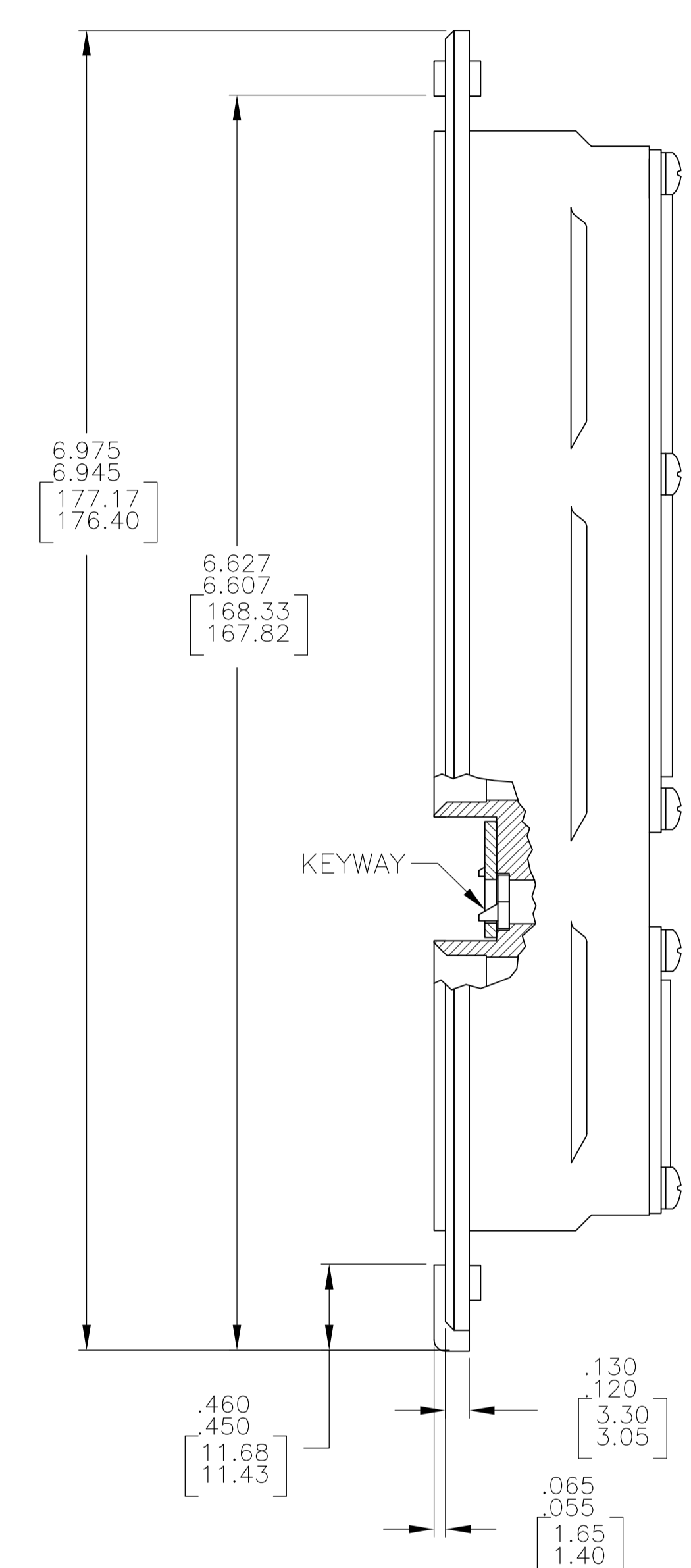
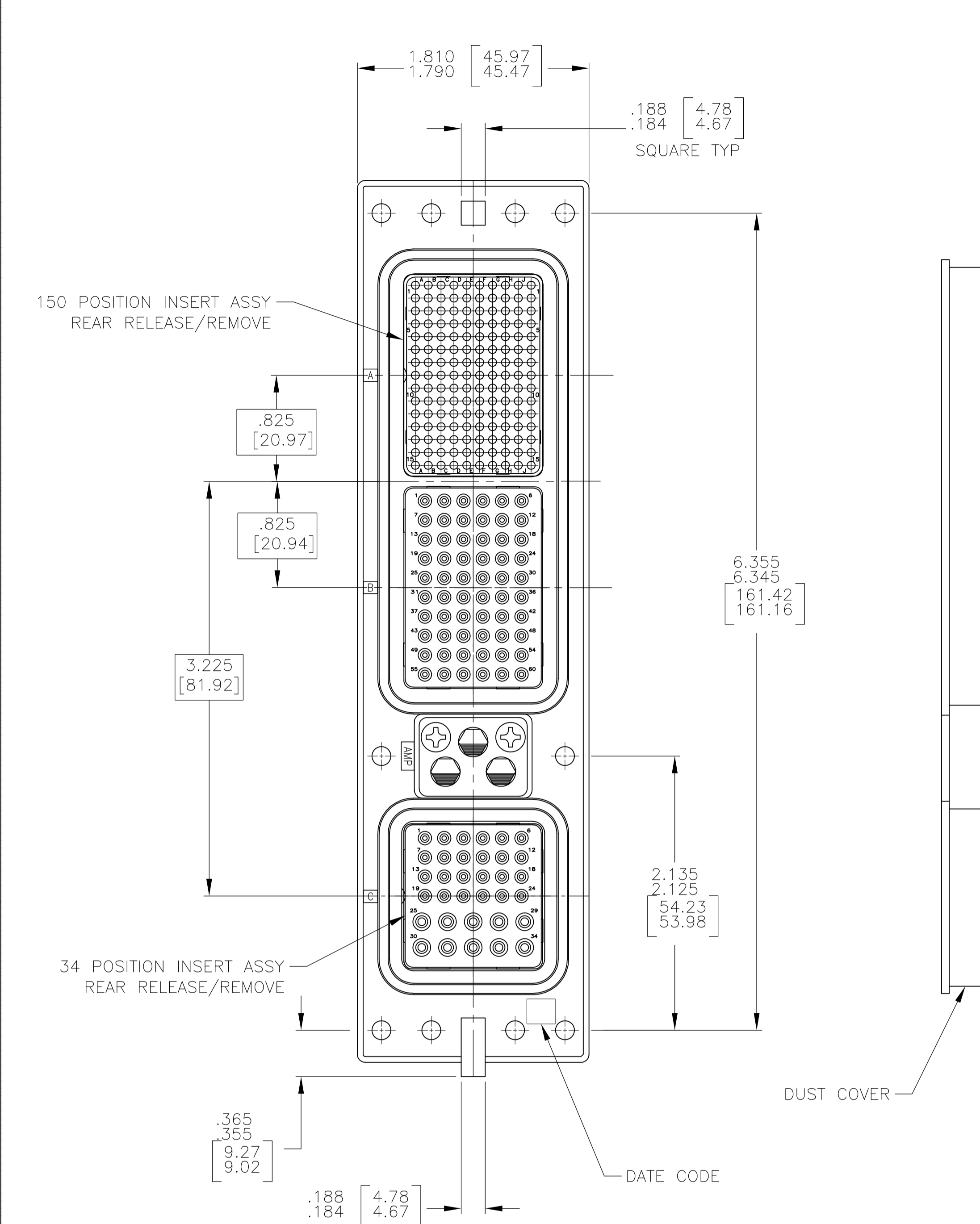
Contact us

Tel: +86-755-8981 8866 Fax: +86-755-8427 6832

Email & Skype: info@chipsmall.com Web: www.chipsmall.com

Address: A1208, Overseas Decoration Building, #122 Zhenhua RD., Futian, Shenzhen, China





- CONNECTOR DIMENSIONS ARE PER ARINC 600 SPECIFICATION
- DUST COVER INSTALLED FOR SHIPPING.
- KEYING SHOWN IN POSITION "01" FOR REFERENCE ONLY. SEE TABLE FOR KEYING POSITION. FOR POSITION "00" KEYING SHIPPED UNASSEMBLED.
- CONTACTS PACKAGED SEPARATELY AND SHIPPED WITH CONNECTOR.

COMPONENT	MATERIAL	FINISH
SHELL	DIE CAST ALUMINUM PER ASTM-B-85	ELECTROLESS NICKEL PER MIL-C-26074
INSERT RETENTION PLATES	ALUMINUM ALLOY PER ASTM-B-209	ELECTROLESS NICKEL PER MIL-C-26074
SCREWS AND LOCKWASHERS	STEEL OR STAINLESS STEEL	CHROMATE OVER ZINC OR PASSIVATED
POLARIZING KEYS	ZINC ALLOY PER ASTM-B-86	-
POLARIZING KEY RETAINING PLATE	ALUMINUM ALLOY PER ASTM-B-209	BLUE ANODIZED PER MIL-A-8625
INSERTS	THERMOSET OR THERMOPLASTIC PPS PER MIL-M-24519	-
DUST COVER	CONDUCTIVE THERMOPLASTIC	-

"00"	MODULE A 208264-2 (SZ 22 CRIMP SOCKET CONTACT; QTY=150)	1996952-1
	MODULE B 208265-3 (SZ 20 CRIMP PIN CONTACT; QTY=60)	
KEYING POSITION	MODULE C 208265-3 (SZ 20 CRIMP PIN CONTACT; QTY=24)	PART NUMBER
	MODULE D 208268-3 (SZ 16 CRIMP PIN CONTACT; QTY=10)	
	CONTACTS INCLUDED AND NOT INSTALLED	

THIS DRAWING IS A CONTROLLED DOCUMENT.

DIMENSIONS: INCHES (mm)

TOLERANCES UNLESS OTHERWISE SPECIFIED:

0 PLC	± .005
1 PLC	± .004
2 PLC	± .003
3 PLC	± .002
4 PLC	± .001
ANGLES	± .001

MATERIAL: SEE TABLE

FINISH: SEE TABLE

WEIGHT: --

CUSTOMER DRAWING

THIS DRAWING IS A CONTROLLED DOCUMENT.

DIN: C.C.THOMAS 10-3-08

CHK: K.THACKSTON 10-3-08

APVD: K.THACKSTON 10-3-08

NAME: K.THACKSTON

PRODUCT SPEC: RCPT ASSY, SIZE 2, ARINC 600 (150/60/34), RR

APPLICATION SPEC: --

SIZE: A1

CAGE CODE: 00779

DRAWING NO: 1996952

RESTRICTED TO: --

SCALE: 3:2

SHEET: 1 of 1

REV: A