



Chipsmall Limited consists of a professional team with an average of over 10 year of expertise in the distribution of electronic components. Based in Hongkong, we have already established firm and mutual-benefit business relationships with customers from,Europe,America and south Asia,supplying obsolete and hard-to-find components to meet their specific needs.

With the principle of “Quality Parts,Customers Priority,Honest Operation,and Considerate Service”,our business mainly focus on the distribution of electronic components. Line cards we deal with include Microchip,ALPS,ROHM,Xilinx,Pulse,ON,Everlight and Freescale. Main products comprise IC,Modules,Potentiometer,IC Socket,Relay,Connector.Our parts cover such applications as commercial,industrial, and automotives areas.

We are looking forward to setting up business relationship with you and hope to provide you with the best service and solution. Let us make a better world for our industry!



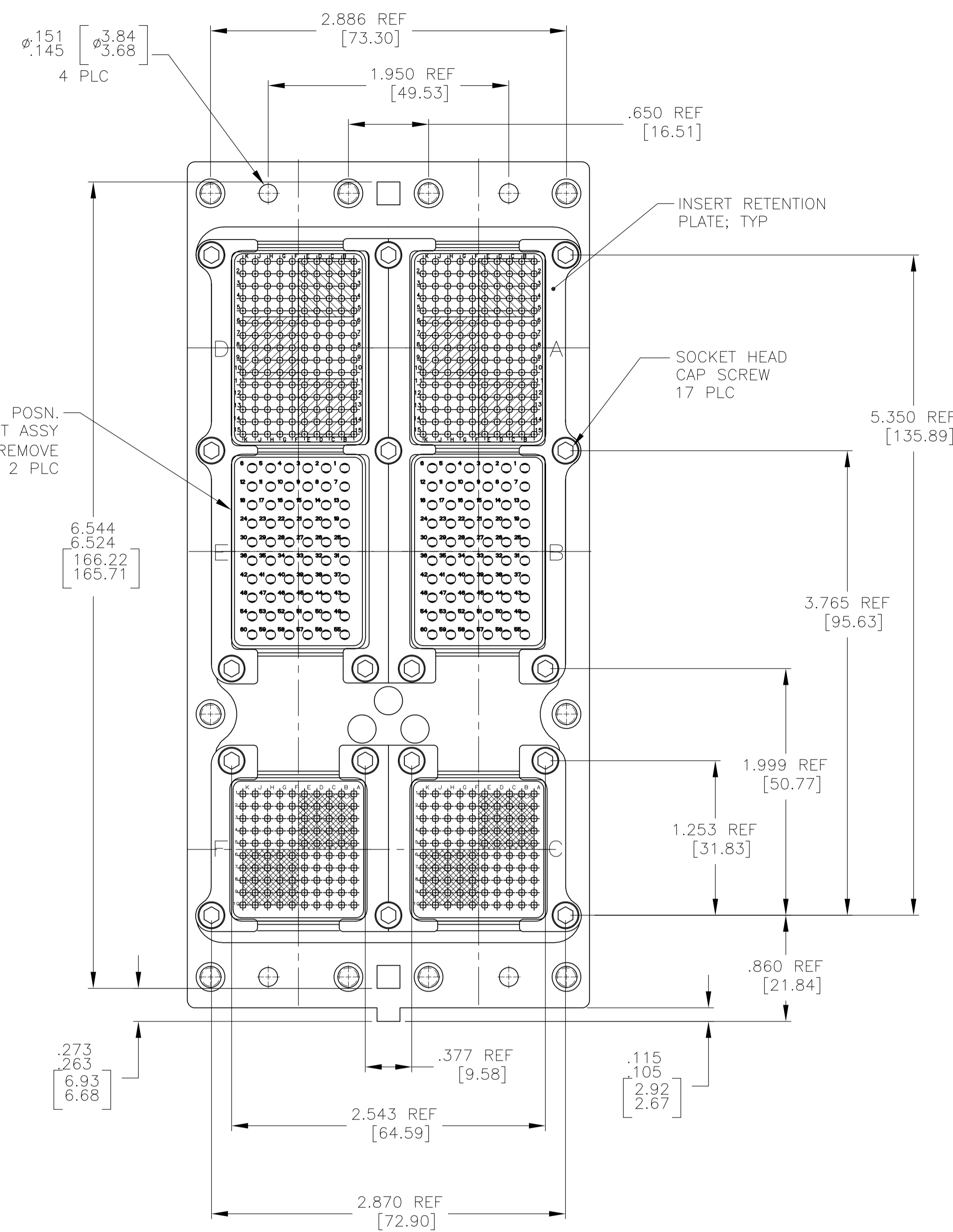
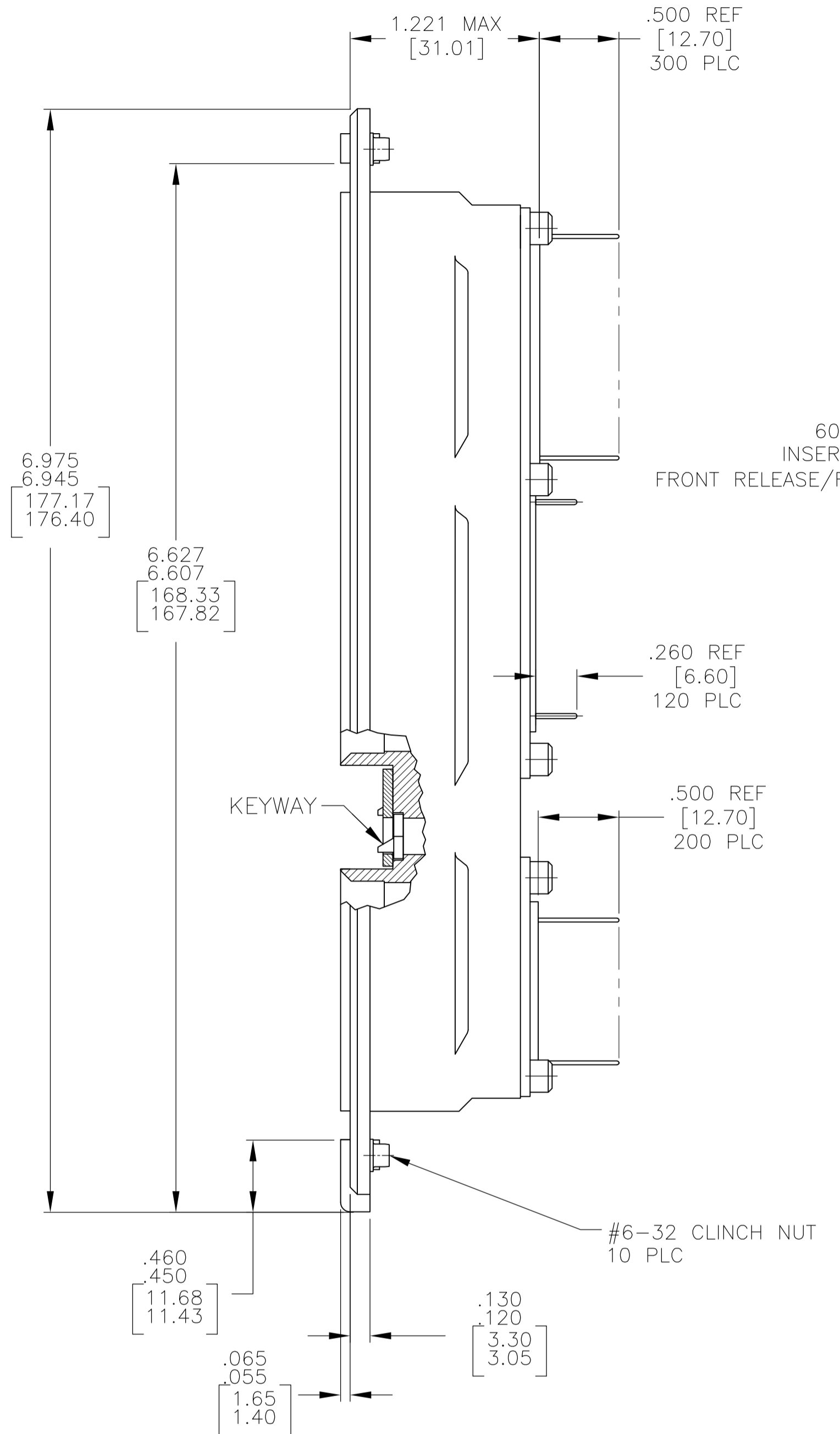
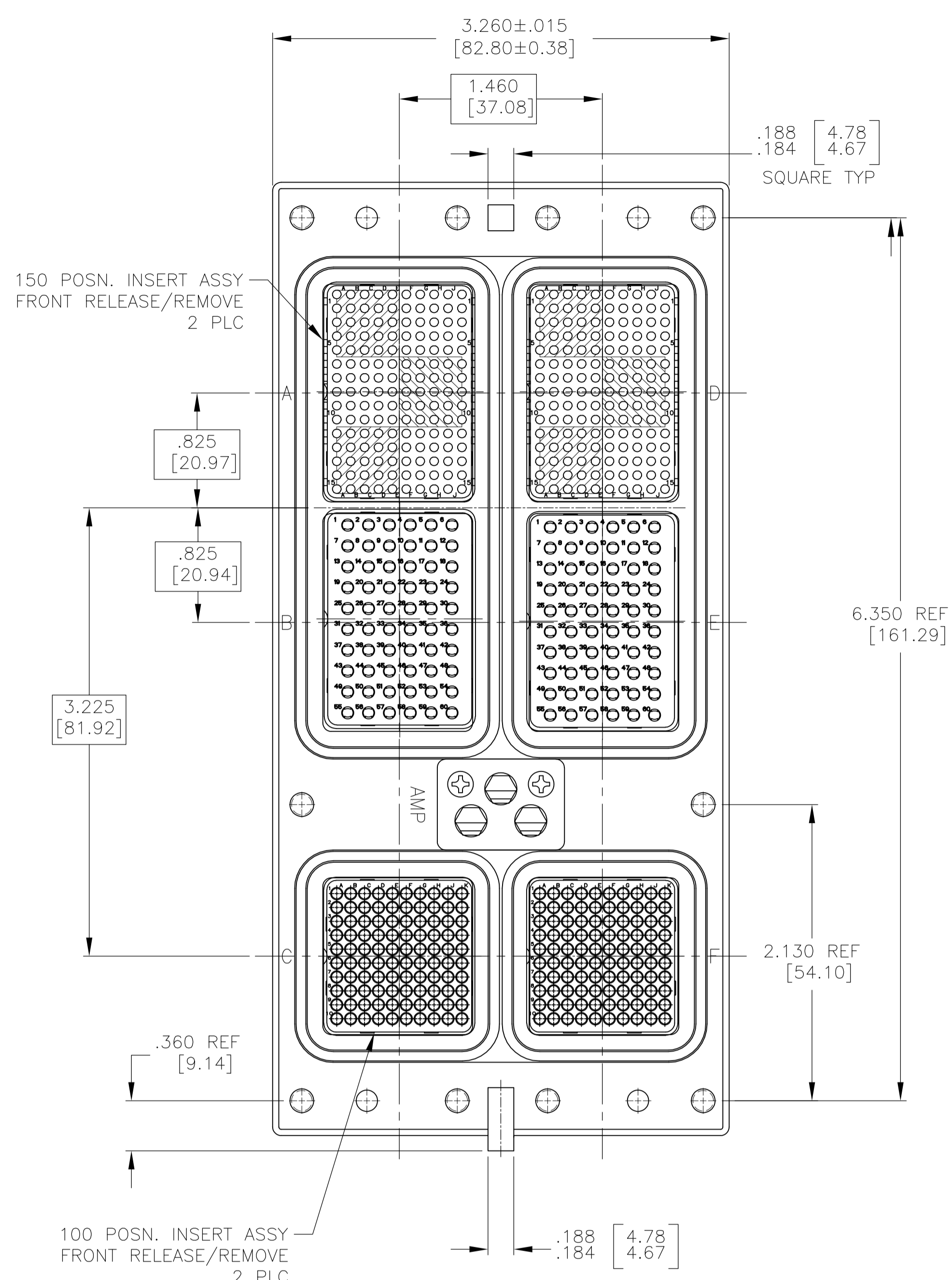
Contact us

Tel: +86-755-8981 8866 Fax: +86-755-8427 6832

Email & Skype: info@chipsmall.com Web: www.chipsmall.com

Address: A1208, Overseas Decoration Building, #122 Zhenhua RD., Futian, Shenzhen, China





OBSOLETE	"06"	SAME AS -1	1996964-6
OBSOLETE	"05"	SAME AS -1	1996964-5
OBSOLETE	"04"	SAME AS -1	1996964-4
OBSOLETE	"03"	SAME AS -1	1996964-3
	"00"	NO CONTACT INCLUDED	1996964-2
	"00"	MODULE A 211431-8 (SZ 22 POSTED SOCKET CONTACT; QTY=150) MODULE B 1-448138-2 (SZ 20 POSTED SOCKET CONTACT; QTY=60) MODULE C 211431-8 (SZ 22 POSTED SOCKET CONTACT; QTY=100) MODULE D 211431-8 (SZ 22 POSTED SOCKET CONTACT; QTY=150) MODULE E 1-448138-2 (SZ 20 POSTED SOCKET CONTACT; QTY=60) MODULE F 211431-8 (SZ 22 POSTED SOCKET CONTACT; QTY=100)	1996964-1
KEYING POSITION		CONTACTS INCLUDED AND INSTALLED	PART NUMBER

- CONNECTOR DIMENSIONS ARE PER ARINC 600 SPECIFICATION
- DUST COVER (NOT SHOWN) INSTALLED FOR SHIPPING.
- CONTACTS NOT SHOWN IN FRONT & REAR VIEWS FOR CLARTY.
- KEYING SHOWN IN POSITION FOR REFERENCE ONLY. SEE TABLE FOR KEYING POSITION. FOR POSITION "00" KEYING SHIPPED UNASSEMBLED.

COMPONENT	MATERIAL	FINISH
SHELL	DIE CAST ALUMINUM PER ASTM-B-85	ELECTROLESS NICKEL PER MIL-C-26074
RETENTION PLATES	ALUMINUM ALLOY PER ASTM-B-209	ELECTROLESS NICKEL PER MIL-C-26074
RETENTION PLATE SCREWS	PER NAS1352-04-4P	PER NAS1352-04-4P
POLARIZING KEYS	ZINC ALLOY PER ASTM-B-86	-
POLARIZING KEY RETAINING PLATE	ALUMINUM ALLOY PER ASTM-B-209	BLUE ANODIZED PER MIL-A-8625
ALL INSERTS	THERMOSET	-

THIS DRAWING IS A CONTROLLED DOCUMENT.

DIMENSIONS: INCHES (mm)	TOLERANCES UNLESS OTHERWISE SPECIFIED:	DWN: C.C.THOMAS 10-22-08	APVD: K.THACKSTON 10-22-08	Tyco Electronics Corporation Harrisburg, PA 17105-3608
0 PLC ± .005	1 PLC ± .005	2 PLC ± .005	3 PLC ± .005	4 PLC ± .005
ANGLES ± .5	FINISH SEE TABLE	NAME: RCPT ASSY, SIZE 3, ARINC 600 (150/60/100/150/60/100)	SIZE: A1	CAGE CODE: 00779
MATERIAL SEE TABLE	FINISH SEE TABLE	WEIGHT: -	DRAWING NO: 1996964	RESTRICTED TO: -
		CUSTOMER DRAWING	SCALE: 3:2	SHEET: 1 OF 1