



Chipsmall Limited consists of a professional team with an average of over 10 year of expertise in the distribution of electronic components. Based in Hongkong, we have already established firm and mutual-benefit business relationships with customers from,Europe,America and south Asia,supplying obsolete and hard-to-find components to meet their specific needs.

With the principle of “Quality Parts,Customers Priority,Honest Operation,and Considerate Service”,our business mainly focus on the distribution of electronic components. Line cards we deal with include Microchip,ALPS,ROHM,Xilinx,Pulse,ON,Everlight and Freescale. Main products comprise IC,Modules,Potentiometer,IC Socket,Relay,Connector.Our parts cover such applications as commercial,industrial, and automotives areas.

We are looking forward to setting up business relationship with you and hope to provide you with the best service and solution. Let us make a better world for our industry!



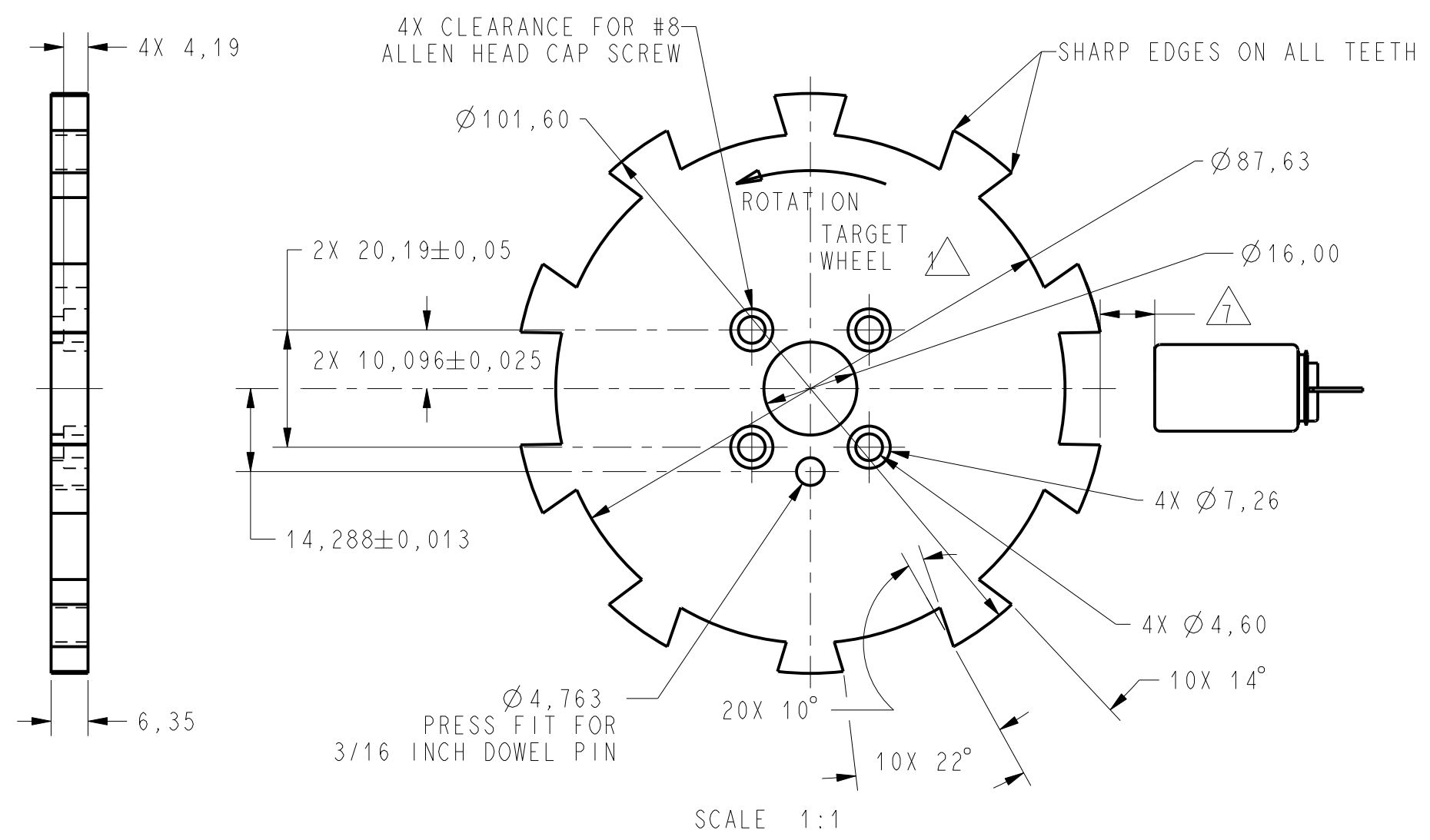
Contact us

Tel: +86-755-8981 8866 Fax: +86-755-8427 6832

Email & Skype: info@chipsmall.com Web: www.chipsmall.com

Address: A1208, Overseas Decoration Building, #122 Zhenhua RD., Futian, Shenzhen, China





ABSOLUTE MAXIMUM RATINGS

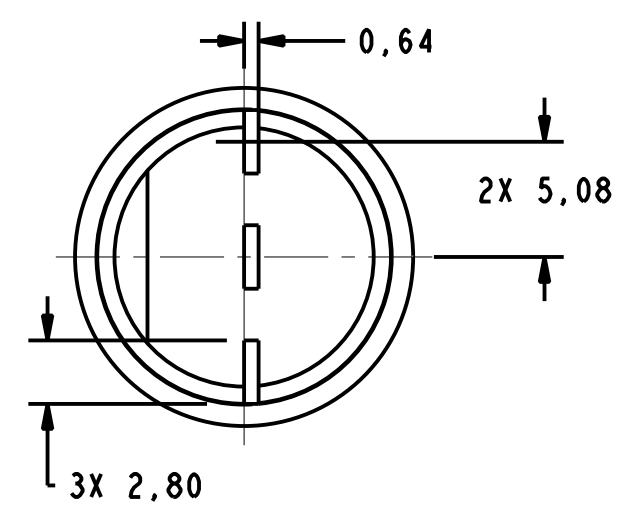
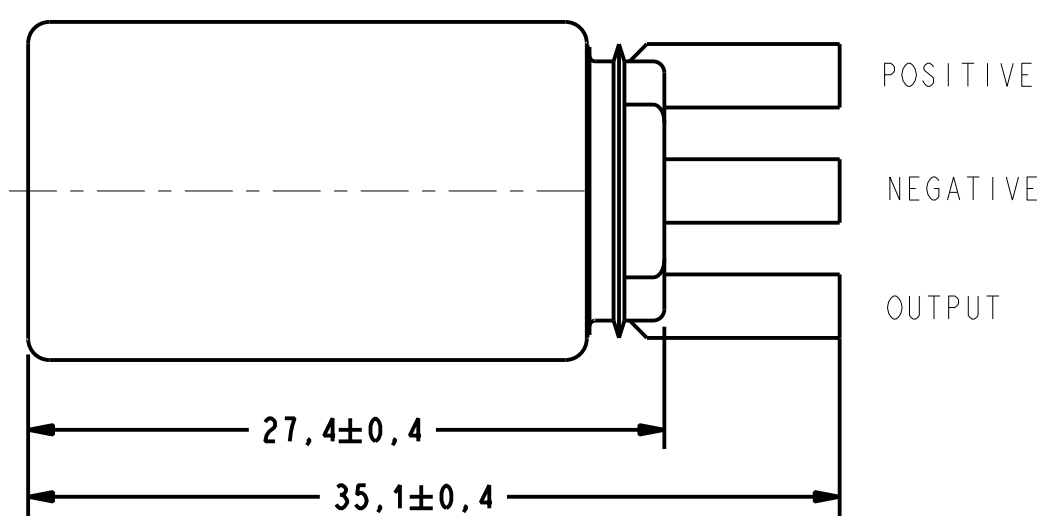
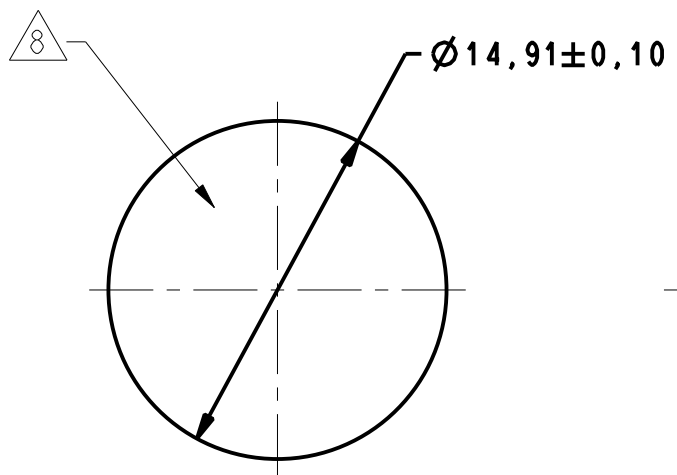
SUPPLY VOLTAGE	+32V CONTINUOUS
VOLTAGE EXTERNALLY APPLIED TO OUTPUT	-0.5 TO +30V (OUTPUT HIGH)
OUTPUT CURRENT	40 mA SINKING
TEMP	150°C

RECOMMENDED OPERATING CONDITIONS

PARAMETER	CONDITIONS	MIN	TYP	MAX	UNITS
OPERATING TEMPERATURE		-40		+150	°C
SUPPLY VOLTAGE		4.5		24	VDC
SUPPLY CURRENT			10	20	mA
OUTPUT VOLTAGE	LOW OUTPUT			0.4	VDC
OUTPUT CURRENT	LOW OUTPUT			20	mA
OUTPUT LEAKAGE CURRENT	HIGH OUTPUT			10	µA
RISE TIME	10% TO 90%			2.0	µS
FALL TIME	90% TO 10%			1.0	µS

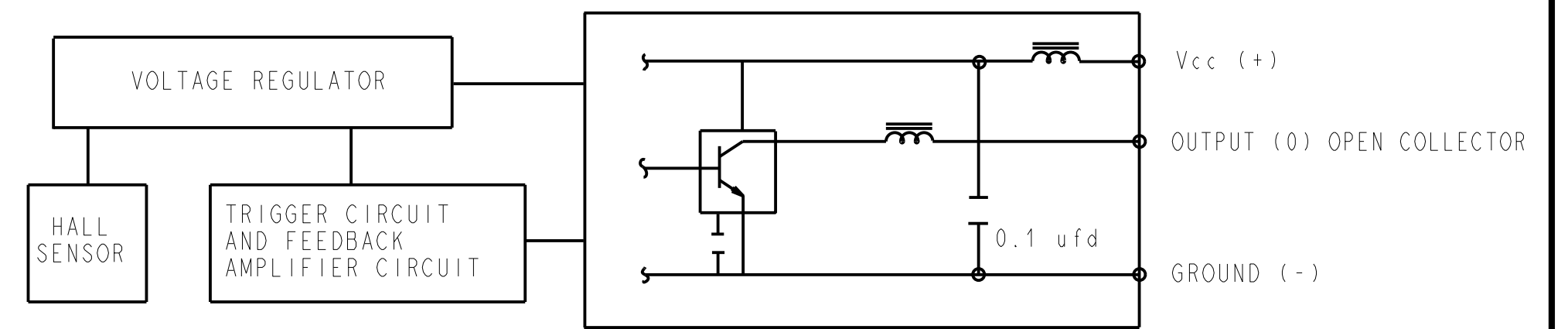
OPERATING SPECIFICATIONS

	LIMIT	CONDITIONS	UNITS
△ OPERATE	2.75° ± 1.5°	AIR GAP 0,13 - 2,03 V SUPPLY 4.5-24 TEMP -40 TO 150 RPM 15 TO 3600	mm VOLTS DEG
△ RELEASE	3.0° ± 2.50°		

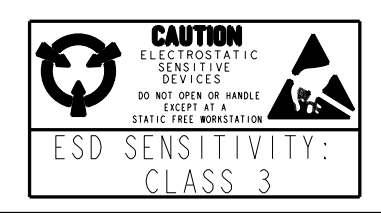


NOTES

- 1 TARGET SHOULD BE MADE OF C-1018 STEEL OR ENGINEERING APPROVED EQUIVALENT, ANNEAL AFTER MACHINING OR FORMING
- 2 MAX LIMITS THAT SWITCH WILL WITHSTAND WITHOUT DAMAGE
- 3 OPERATING SPECIFICATION IS BASED ON TARGET SHOWN IN FIGURE 1 AND WILL VARY WITH TARGET GEOMETRY
- 4 OPERATE (DEGREES) IS THE ANGULAR DISTANCE FROM THE LEADING EDGE OF THE TOOTH TO THE CENTERLINE OF THE SENSOR
- 5 RELEASE (DEGREES) IS THE ANGULAR DISTANCE FROM THE TRAILING EDGE OF THE TOOTH TO THE CENTERLINE OF THE SENSOR
- 6 ELECTRICAL CHARACTERISTICS ARE GUARANTEED WITH MAX EXTERNAL LOAD CAPACITANCE < 550 pfd
- 7 AIR GAP IS THE DISTANCE FROM SENSOR FACE TO TARGET
- 8 CATALOG LISTING, DATE CODE AND SERIAL NUMBER LOCATED IN THIS AREA
- 9 - RELIABILITY AND EMI PERFORMANCE IS BASED ON TS 060 234
- 10 - WITHOUT A OUTPUT CAPACITOR THERE IS A RIPPLE ON THE OUTPUT SIGNAL WITH A HIGH TO LOW TRANSITION WHICH CAN PRODUCE A FALSE TRIGGER WITH SOME APPLICATIONS, IT IS REQUIRED THAT A CAPACITOR BE ADDED TO THE OUTPUT LINE TO REDUCE THE IMPACT OF THIS RIPPLE
- 11 - FOR VALUE ADDED ASSEMBLY CONSIDERATIONS REFERENCE APPLICATION NOTE PK-80139



BLOCK DIAGRAM SHOWING CURRENT SINKING OUTPUT



THIS DRAWING COVERS A PROPRIETARY ITEM AND IS THE PROPERTY OF MICRO SWITCH, A DIVISION OF HONEYWELL. THIS DRAWING IS NOT TO BE COPIED OR USED WITHOUT THE APPROVAL OF MICRO SWITCH.

MICRO SWITCH a Honeywell Division CATALOG LISTING **GEARTOOTH SENSOR** 1GP4004

THIRD ANGLE PROJECTION
SCALE 3 : 1
DO NOT SCALE PRINT
UNLESS OTHERWISE SPECIFIED TOLERANCES ARE
NO PLACE (0) ± 1 MM
ONE PLACE (0,0) ± 0,4 MM
TWO PLACE (0,00) ± 0,15 MM
ANGLES ±
WEIGHT

1GP4004
 DRAWING NUMBER
 5
 ISSUE
 PTC/CAD 30
 DRAWN
 J A F 15 JUN 99
 CHECK
 J A F 15 JUN 99
 RELEASE NO. PR-23436
 REPLACES -
 CHECK
 12 MAY 04
 CHECK
 12 MAY 04
 REVISIONS
 A PR-REL PR-23436
 J A F 15 JUN 99
 B CO 95587
 J A F 15 JUN 99
 C RIT 2 FEB 00
 J A F 15 JUN 99
 D 200453
 J A F 15 JUN 99
 E 0005266
 J A F 15 JUN 99
 F 12 MAY 04
 G 12 MAY 04
 H 12 MAY 04
 I 12 MAY 04
 J 12 MAY 04
 K 12 MAY 04
 L 12 MAY 04
 M 12 MAY 04
 N 12 MAY 04
 O 12 MAY 04
 P 12 MAY 04
 Q 12 MAY 04
 R 12 MAY 04
 S 12 MAY 04
 T 12 MAY 04
 U 12 MAY 04
 V 12 MAY 04
 W 12 MAY 04
 X 12 MAY 04
 Y 12 MAY 04
 Z 12 MAY 04