



Chipsmall Limited consists of a professional team with an average of over 10 year of expertise in the distribution of electronic components. Based in Hongkong, we have already established firm and mutual-benefit business relationships with customers from,Europe,America and south Asia,supplying obsolete and hard-to-find components to meet their specific needs.

With the principle of “Quality Parts,Customers Priority,Honest Operation,and Considerate Service”,our business mainly focus on the distribution of electronic components. Line cards we deal with include Microchip,ALPS,ROHM,Xilinx,Pulse,ON,Everlight and Freescale. Main products comprise IC,Modules,Potentiometer,IC Socket,Relay,Connector.Our parts cover such applications as commercial,industrial, and automotives areas.

We are looking forward to setting up business relationship with you and hope to provide you with the best service and solution. Let us make a better world for our industry!



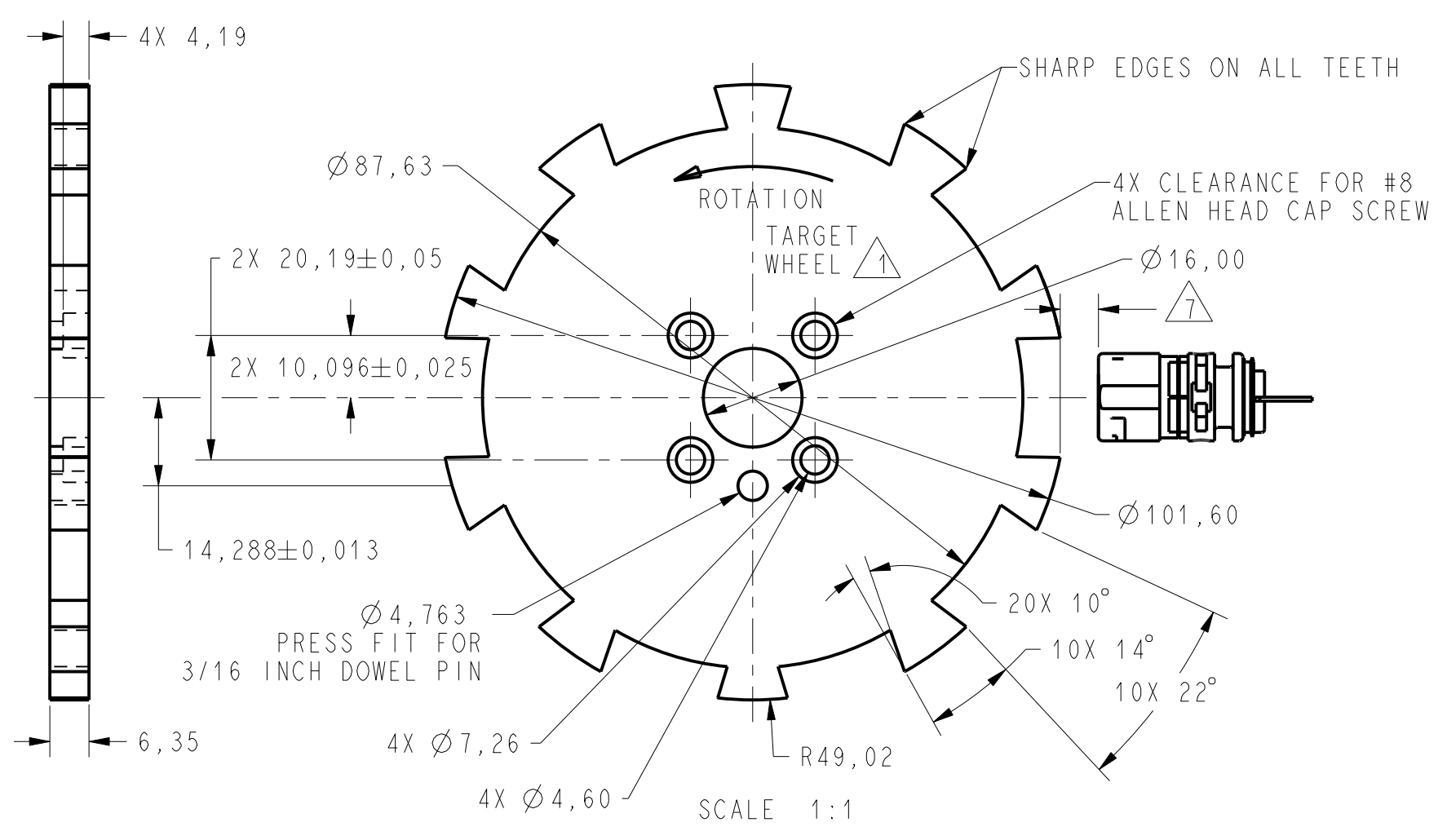
Contact us

Tel: +86-755-8981 8866 Fax: +86-755-8427 6832

Email & Skype: info@chipsmall.com Web: www.chipsmall.com

Address: A1208, Overseas Decoration Building, #122 Zhenhua RD., Futian, Shenzhen, China





ABSOLUTE MAXIMUM RATINGS

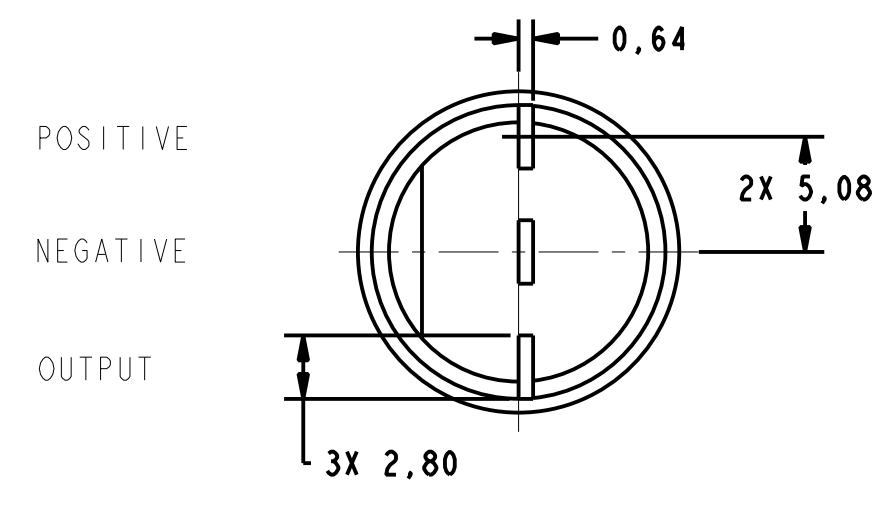
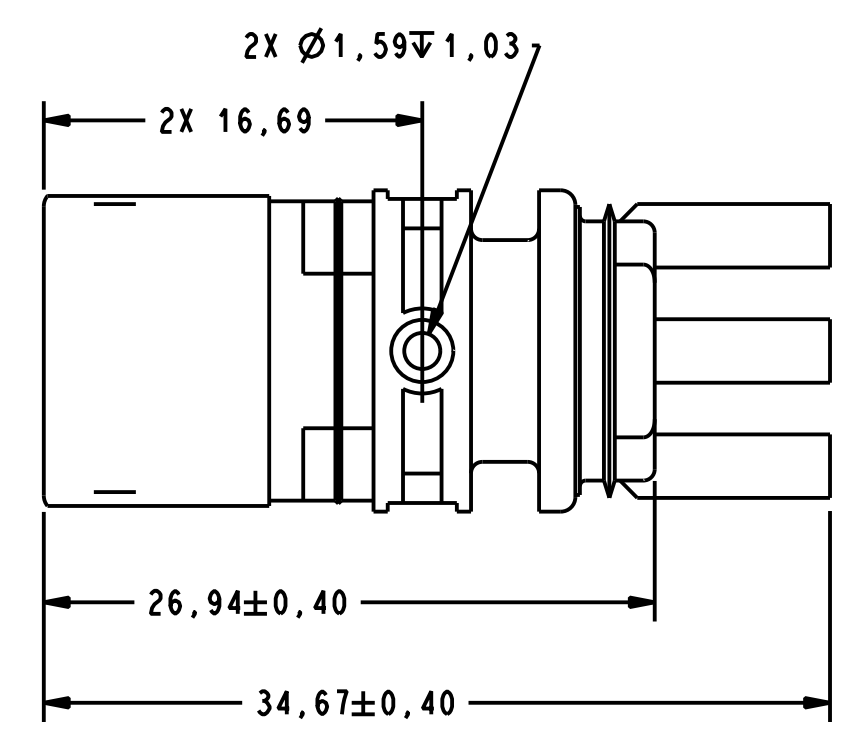
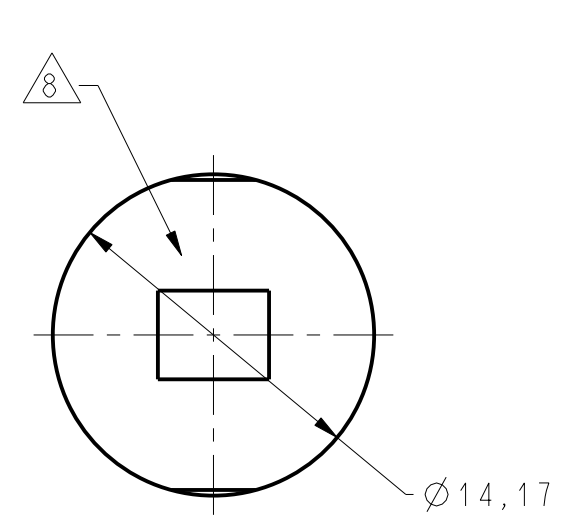
SUPPLY VOLTAGE	+30V CONTINUOUS
VOLTAGE EXTERNALLY APPLIED TO OUTPUT	-0.5 TO +30V (OUTPUT HIGH)
OUTPUT CURRENT	40 mA SINKING
TEMP	150°C

RECOMMENDED OPERATING CONDITIONS

PARAMETER	CONDITIONS	MIN	TYP	MAX	UNITS
OPERATING TEMPERATURE		-40		+150	°C
SUPPLY VOLTAGE		4.5		24	VDC
SUPPLY CURRENT			10	20	mA
OUTPUT VOLTAGE	LOW OUTPUT			.5	VDC
OUTPUT CURRENT	LOW OUTPUT			20	mA
OUTPUT LEAKAGE CURRENT	HIGH OUTPUT			10	µA
RISE TIME	10% TO 90%			15	µS
FALL TIME	90% TO 10%			1.0	µS

OPERATING SPECIFICATIONS

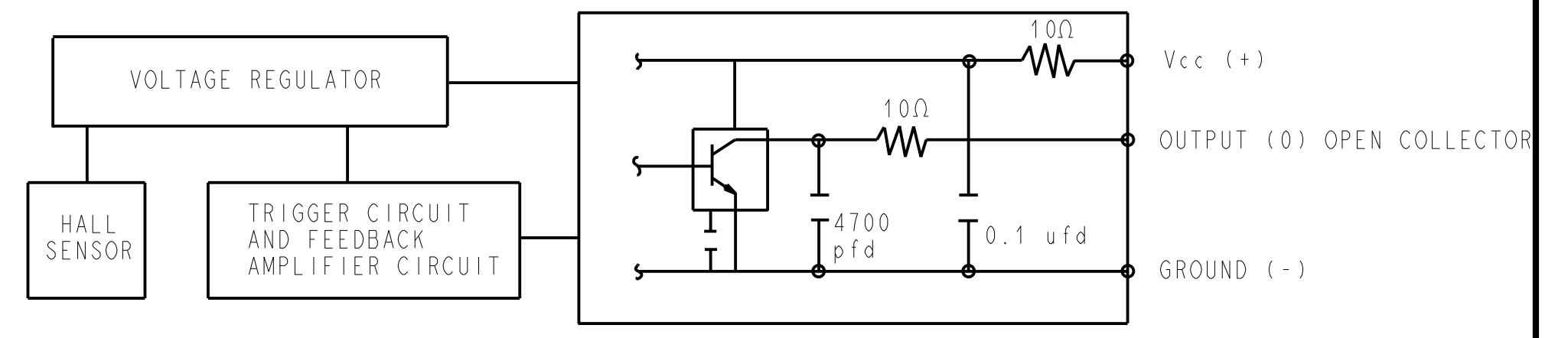
	LIMIT	CONDITIONS	UNITS
OPERATE	3.0° ± 1.25°	AIR GAP 0.38 - 2.28 V SUPPLY 4.5-24	mm VOLTS
RELEASE	3.0° ± 2.50°	TEMP -40 TO 150 RPM 10 TO 3600	DEG



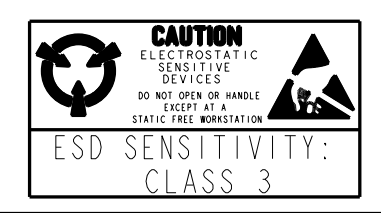
POSITIVE
NEGATIVE
OUTPUT

NOTES

- 1 TARGET SHOULD BE MADE OF C-1018 STEEL OR ENGINEERING APPROVED EQUIVALENT, ANNEAL AFTER MACHINING OR FORMING
- 2 MAX LIMITS THAT SWITCH WILL WITHSTAND WITHOUT DAMAGE
- 3 OPERATING SPECIFICATION IS BASED ON TARGET SHOWN IN FIGURE 1 AND WILL VARY WITH TARGET GEOMETRY
- 4 OPERATE (DEGREES) IS THE ANGULAR DISTANCE FROM THE LEADING EDGE OF THE TOOTH TO THE CENTERLINE OF THE SENSOR
- 5 RELEASE (DEGREES) IS THE ANGULAR DISTANCE FROM THE TRAILING EDGE OF THE TOOTH TO THE CENTERLINE OF THE SENSOR
- 6 ELECTRICAL CHARACTERISTICS ARE GUARANTEED WITH MAX EXTERNAL LOAD CAPACITANCE < 550 pfd
- 7 AIR GAP IS THE DISTANCE FROM SENSOR FACE TO TARGET
- 8 CATALOG LISTING, DATE CODE AND SERIAL NUMBER LOCATED IN THIS AREA
- 9 RELIABILITY AND EMI PERFORMANCE IS BASED ON TS 060 234
- 10 FOR VALUE ADDED ASSEMBLY CONSIDERATIONS REFERENCE APPLICATION NOTE PK-80139



BLOCK DIAGRAM SHOWING CURRENT SINKING OUTPUT



THIRD ANGLE PROJECTION
SCALE 3:1
DO NOT SCALE PRINT
UNLESS OTHERWISE SPECIFIED TOLERANCES ARE
NO PLACE (0) ± 1 MM
ONE PLACE (0,0) ± 0,4 MM
TWO PLACE (0,00) ± 0,15 MM
ANGLES ±
WEIGHT

THIS DRAWING COVERS A PROPRIETARY ITEM AND IS THE PROPERTY OF MICRO SWITCH, A DIVISION OF HONEYWELL. THIS DRAWING IS NOT TO BE COPIED OR USED WITHOUT THE APPROVAL OF MICRO SWITCH.

MICRO SWITCH a Honeywell Division	GEARTOOTH SENSOR	CATALOG LISTING 1GP7001
---	-------------------------	-----------------------------------

1GP7001
 DRAWING NUMBER
 ISSUE 1
 PAGE 1 OF 1
 RELEASE NO. DR-4887
 REPLACES X110028-GT
 REVISIONS
 A CO-82915
 KAG 28MAR96
 B CO-83636
 JAF SEP96
 C CO-84047
 JAF 3 FEB 97
 D CO-84378
 GRT 4 APR 97
 E CO84610
 KAG 24 APR 97
 F CO84911
 GRT 8 AUG 97
 PR-22827
 KAG 4 NOV 97
 H CO-95581
 GRT 2 FEB 00
 J 202212
 LJK 31 JAN 01
 K 0005266
 AS 12 MAY 04
 PTC/CAD
 DRAWN
 KAG 20MAR96
 CHECK
 JAF 26MAR96
 CHECK
 AK 12MAY04
 CHECK
 X110028-GT