



Chipsmall Limited consists of a professional team with an average of over 10 year of expertise in the distribution of electronic components. Based in Hongkong, we have already established firm and mutual-benefit business relationships with customers from,Europe,America and south Asia,supplying obsolete and hard-to-find components to meet their specific needs.

With the principle of “Quality Parts,Customers Priority,Honest Operation,and Considerate Service”,our business mainly focus on the distribution of electronic components. Line cards we deal with include Microchip,ALPS,ROHM,Xilinx,Pulse,ON,Everlight and Freescale. Main products comprise IC,Modules,Potentiometer,IC Socket,Relay,Connector.Our parts cover such applications as commercial,industrial, and automotives areas.

We are looking forward to setting up business relationship with you and hope to provide you with the best service and solution. Let us make a better world for our industry!



## Contact us

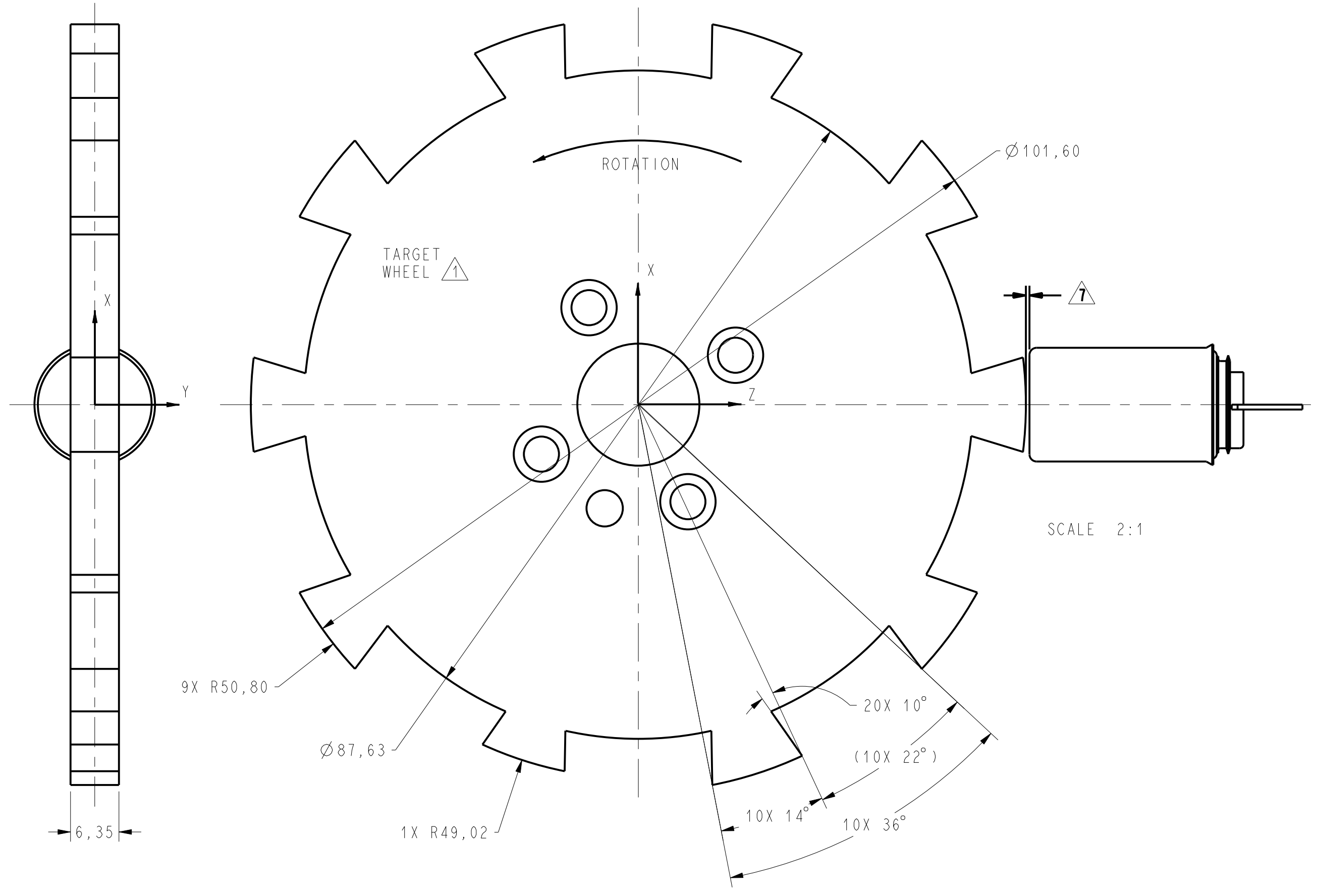
Tel: +86-755-8981 8866 Fax: +86-755-8427 6832

Email & Skype: info@chipsmall.com Web: www.chipsmall.com

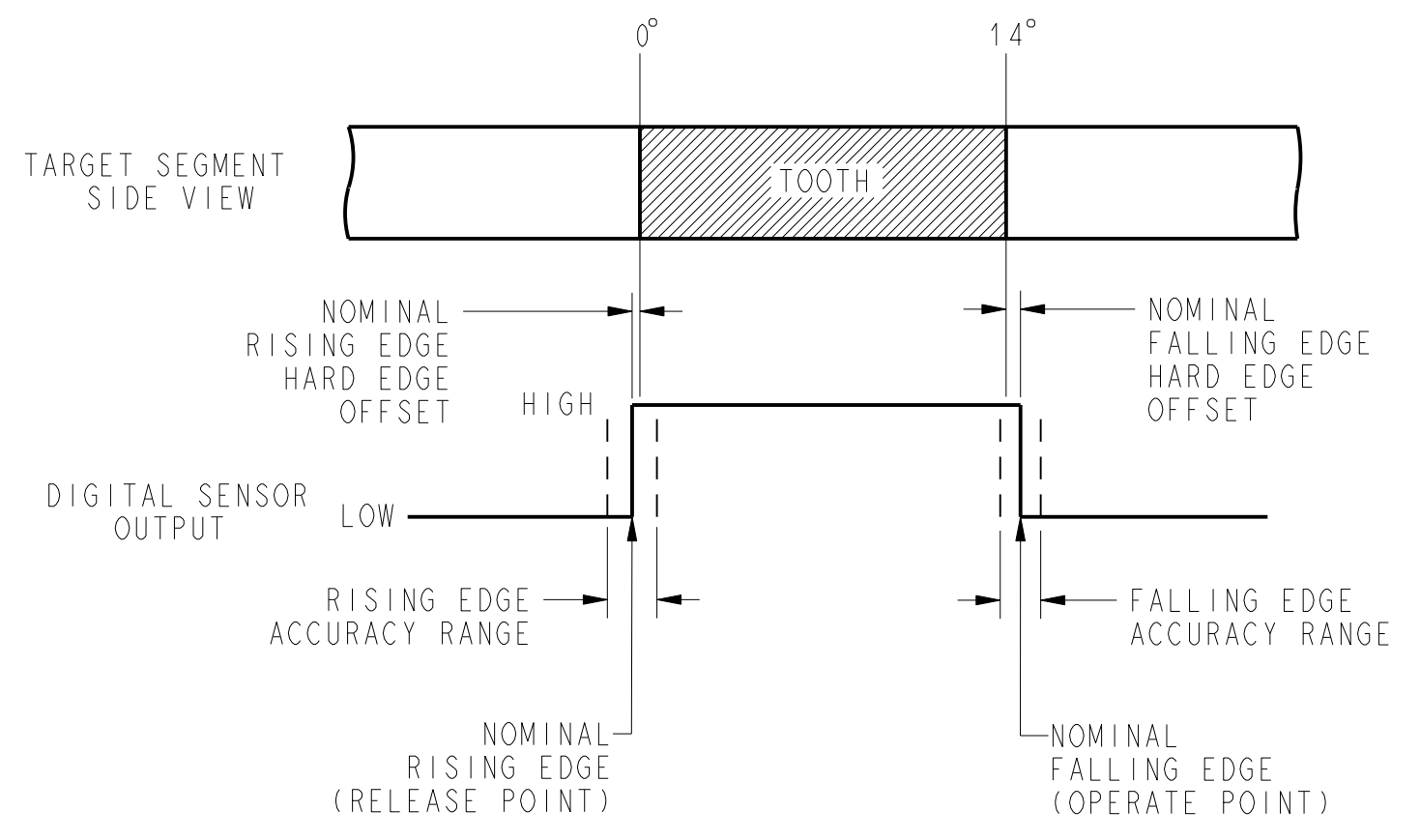
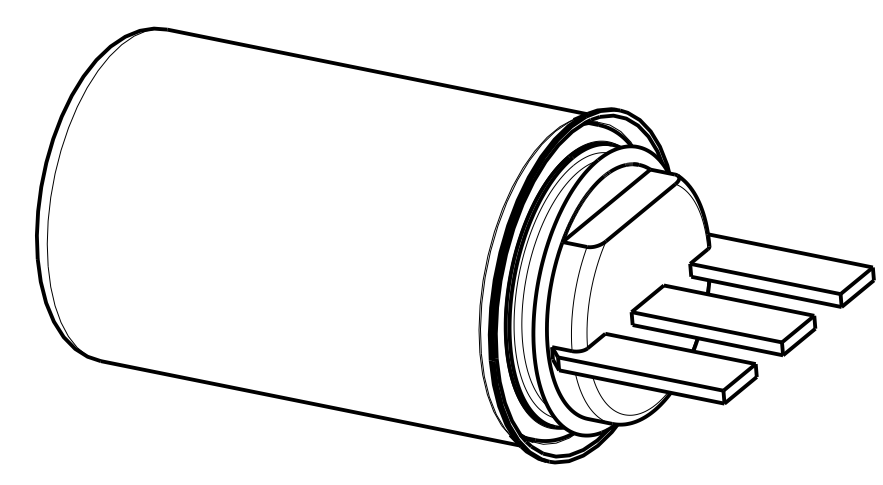
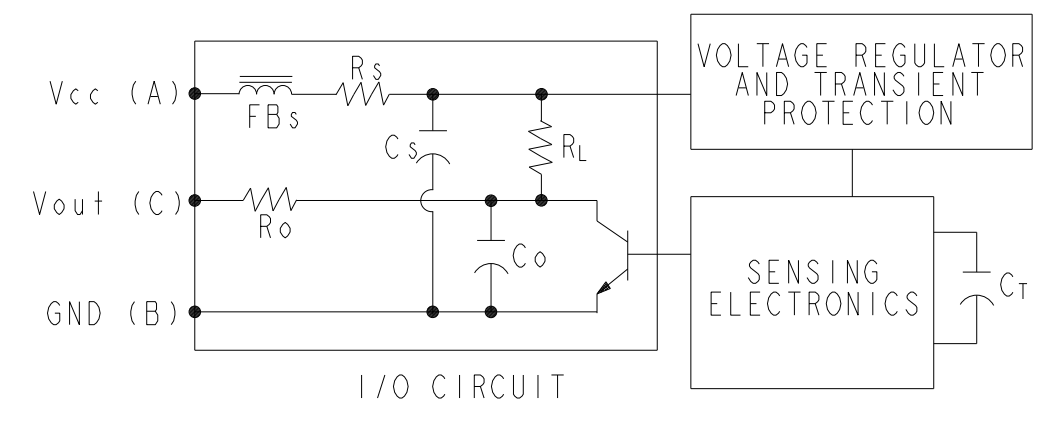
Address: A1208, Overseas Decoration Building, #122 Zhenhua RD., Futian, Shenzhen, China



REV	DOCUMENT	CHANGED BY	CHECK
1	DR-5297	TRF 21DEC99	SAV
2	203030	KED 8MAY01	SAV
3	0005266	AS 13MAY04	AK

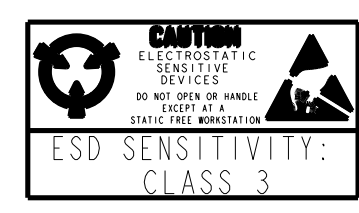
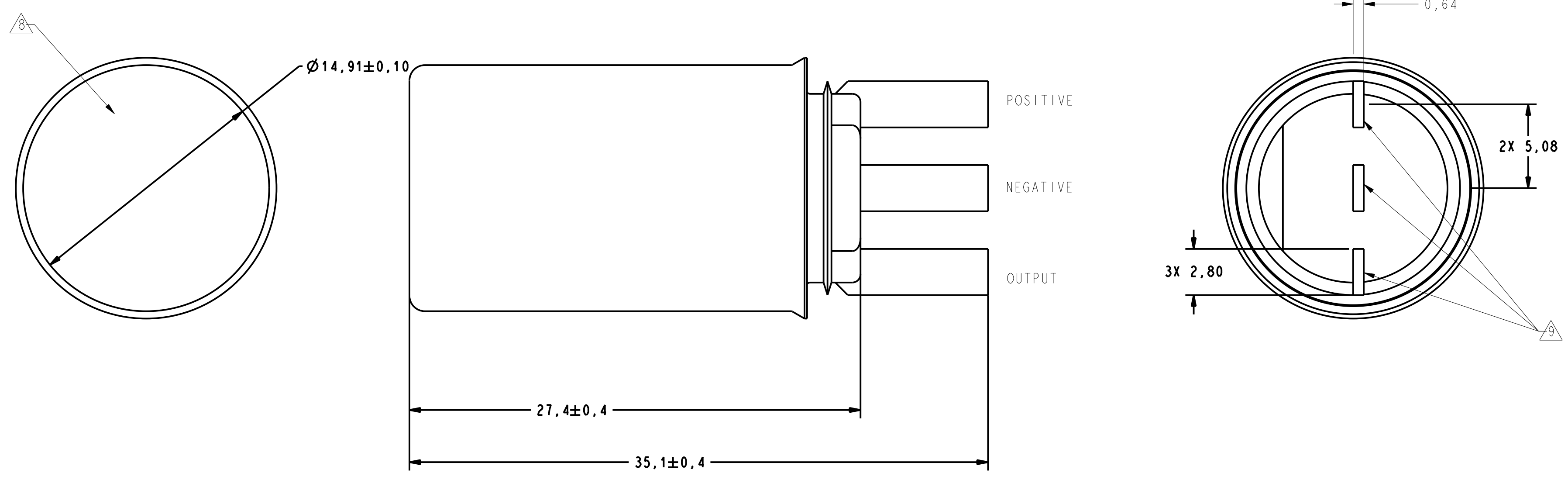


COMPONENT	VALUE
FBs	1.6 Ω DC
Rs	10 Ω
Ro	100 Ω
Cs	0.1 μF
Rl	5.1 kΩ
Co	470 pF
Ct	0.39 μF



- NOTES
- 1 TARGET SHOULD BE MADE OF GOOD MAGNETIC MATERIAL (C-1018), ANNEAL AFTER MACHINING OR FORMING
  - 2 MAX LIMITS THAT SWITCH WILL WITHSTAND WITHOUT DAMAGE
  - 3 OPERATING SPECIFICATION IS BASED ON TARGET SHOWN IN FIGURE 1 AND WILL VARY WITH TARGET GEOMETRY
  - 4 POSITIVE (+) OPERATE POINTS OCCUR INTO THE SLOT, NEGATIVE (-) OPERATE POINTS OCCUR INTO THE TOOTH
  - 5 POSITIVE (+) RELEASE POINTS OCCUR INTO THE SLOT, NEGATIVE (-) RELEASE POINTS OCCUR INTO THE TOOTH
  - 6 ELECTRICAL CHARACTERISTICS ARE GUARANTEED WITH MAX EXTERNAL LOAD CAPACITANCE ≤ 1000 pfd
  - 7 AIR GAP IS FROM SENSOR FACE TO TARGET
  - 8 CATALOG LISTING, DATE CODE AND SERIAL NUMBER LOCATED IN THIS AREA
  - 9 A METAL TO PLASTIC JOINT WHICH MAY ALLOW LIQUID INTRUSION DURING A LONG TERM SOAK
  - 10 - REFERENCE TS 060 234 FOR THE TEST PLAN
  - 11 - OPERATING SPECIFICATION RANGE WILL BE EXPANDED AFTER SENSOR IS EXPOSED TO TEMPERATURES ABOVE 150°C
  - 12 - ANY ANOMALIES THAT OCCUR BELOW 3 MHZ ON THE OUTPUT PIN DURING THE RF INJECTION TESTING PER TS 060 234 ARE TO BE USED FOR INFORMATION ONLY

ABSOLUTE MAXIMUM RATINGS					
SUPPLY VOLTAGE	-13.5 TO 26.5 VDC				
STORAGE TEMPERATURE	-40° TO +150°C				
RECOMMENDED ELECTRICAL CONDITIONS					
PARAMETER	CONDITION	MIN	NOM	MAX	UNITS
SUPPLY VOLTAGE (Vcc)		4.5	13.8	16	VDC
EXCURSION SUPPLY VOLTAGE				26.5	VDC
SUPPLY CURRENT	Vcc = 16VDC			21	mA
OUTPUT VOLTAGE	(OUTPUT LOW)			0.4	VDC
RISE TIME	10% TO 90%	15		27	μSEC
FALL TIME	90% TO 10%	0.2		1	μSEC
RECOMMENDED MECHANICAL CONDITIONS					
PARAMETER	CONDITION	MIN	NOM	MAX	UNITS
OPERATING TEMPERATURE	CONTINUOUS	-40		+150	°C
AIR GAP ΔZ		0.1		2.0	mm
AXIAL RUNOUT ΔY		-1.5		1.5	mm
TARGET SPEED		10		6000	RPM
SWITCHING CHARACTERISTICS					
PARAMETER	CONDITION	MIN	NOM	MAX	UNITS
RISE EDGE (RELEASE POINT) ACCURACY	TEMP: -40° TO 150° C AIRGAP: 0.2mm TO 1.5mm SPEED: 30 TO 6000 RPM AXIAL RUNOUT: -1.5mm TO 1.5mm	NOM. - 1.2°	TBD	NOM. + 1.2°	DEGREES ROTATION
FALLING EDGE (OPERATE POINT) ACCURACY	TEMP: -40° TO 150° C AIRGAP: 0.2mm TO 1.5mm SPEED: 30 TO 6000 RPM AXIAL RUNOUT: -1.5mm TO 1.5mm	NOM - 1.0°	TBD	NOM. + 1.0°	DEGREES ROTATION
360° FALLING EDGE INTERVAL REPEATABILITY	RPM ≥ 300 SUPPLY VOLTAGE ≥ 9 Vdc TEMP. ≥ -6°C			0.050°	DEGREES ROTATION (RANGE)



UNLESS OTHERWISE SPECIFIED TOLERANCES ARE:		NO PLACE	ONE PLACE	TWO PLACE	THREE PLACE	ANGLES	RAW MATERIAL-COMMERCIAL STANDARD
±.040	±.030	±.015	±.005	±	±	±	±

DRAWN	TRF	21DEC99
CHECK	SAV	21DEC99

THIS DRAWING COVERS A PROPRIETARY ITEM AND IS THE PROPERTY OF HONEYWELL. THIS DRAWING IS NOT TO BE COPIED OR USED WITHOUT THE PERMISSION OF HONEYWELL.	
DIMENSIONS ARE TO BE MET BEFORE PROTECTIVE COATINGS ARE APPLIED.	THIRD ANGLE PROJECTION

DRAWING NAME		REV
1GQ8001		3
SCALE	5:1	WEIGHT
SHEET		1 OF 1