



Chipsmall Limited consists of a professional team with an average of over 10 year of expertise in the distribution of electronic components. Based in Hongkong, we have already established firm and mutual-benefit business relationships with customers from,Europe,America and south Asia,supplying obsolete and hard-to-find components to meet their specific needs.

With the principle of “Quality Parts,Customers Priority,Honest Operation,and Considerate Service”,our business mainly focus on the distribution of electronic components. Line cards we deal with include Microchip,ALPS,ROHM,Xilinx,Pulse,ON,Everlight and Freescale. Main products comprise IC,Modules,Potentiometer,IC Socket,Relay,Connector.Our parts cover such applications as commercial,industrial, and automotives areas.

We are looking forward to setting up business relationship with you and hope to provide you with the best service and solution. Let us make a better world for our industry!



Contact us

Tel: +86-755-8981 8866 Fax: +86-755-8427 6832

Email & Skype: info@chipsmall.com Web: www.chipsmall.com

Address: A1208, Overseas Decoration Building, #122 Zhenhua RD., Futian, Shenzhen, China





MEC's exclusive snap-on keycap in 10.4 mm total height. Optimized for use with foil overlays.

The 1JS keycaps are available in nine standard colours: 00 blue/02 green/03 grey/04 yellow/06 white/08 red/09 black/11 transparent/16 frosted white.

In combination with the switch the 1JS becomes the lowest illuminated keycap possible; especially designed for foil overlays and featuring soft edges for extended foil overlay lifetime. The 1JS 11 transparent/16 frosted white has superior illumination potential when combined with the newest Multimec 5G switch. Illumination can be either surface mount or through-hole. Cap retention is optimized with an innovative "snap-on" system.



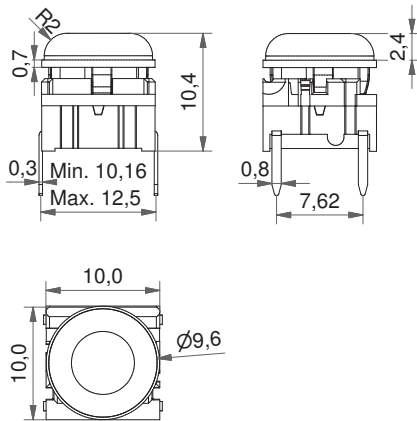
Distributor:

Technical Data:

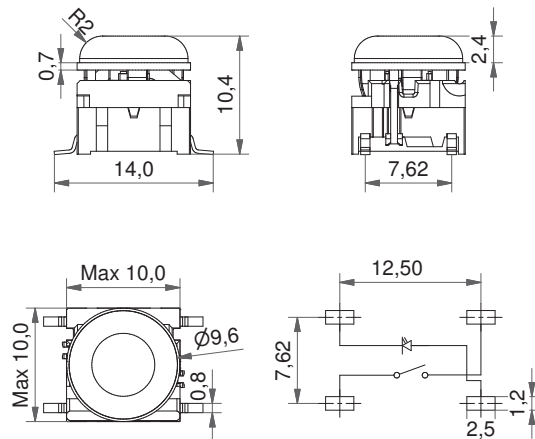
- through-hole or SMD
- 50mA/24VDC
- single pole/momentary
- 10.000.000 operations lifetime
- IP67 sealing
- temperature range:
LED: -40/+85°C
high temp: -40/+160°C
keycap: -40/+65°C
- actuation force: 2,0, 3,5, 6,5 N



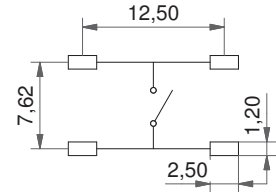
Dimensions (through-hole)



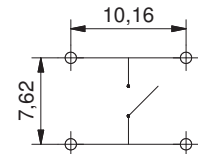
Dimensions (SMD w/LED)



PCB Layout SMD



PCB Layout TH



HOW TO ORDER

5 G				+	1 J S	
Switch	Mounting	Actuation force	LED		Cap	Colour code
	TH9 through-hole	20	01 blue			11 transparent
	SH9 surface mount	35	22 green			16 frosted white
		65	42 yellow			
			61 white			
			82 red			
			2242 green/yellow			
			8222 red/green			

5 G			+	1 J S	
Switch	Mounting	Actuation force		Cap	Colour code
	TH9 through-hole	20		1JS solid colour	00 blue
	SH9 surface mount	35			02 green
		65			03 grey
					04 yellow
					06 white
					08 red
					09 black

Dimensions (mm) Unless otherwise specified, all tolerances +/- 0,2

Ordering example: 5GTH935+1JS08 without illumination
5GTH93501+1JS16 with illumination

See colour codes on our website: www.mec.dk

For product updates and/or changes of specifications please see www.mec.dk