



Chipsmall Limited consists of a professional team with an average of over 10 year of expertise in the distribution of electronic components. Based in Hongkong, we have already established firm and mutual-benefit business relationships with customers from,Europe,America and south Asia,supplying obsolete and hard-to-find components to meet their specific needs.

With the principle of “Quality Parts,Customers Priority,Honest Operation,and Considerate Service”,our business mainly focus on the distribution of electronic components. Line cards we deal with include Microchip,ALPS,ROHM,Xilinx,Pulse,ON,Everlight and Freescale. Main products comprise IC,Modules,Potentiometer,IC Socket,Relay,Connector.Our parts cover such applications as commercial,industrial, and automotives areas.

We are looking forward to setting up business relationship with you and hope to provide you with the best service and solution. Let us make a better world for our industry!



Contact us

Tel: +86-755-8981 8866 Fax: +86-755-8427 6832

Email & Skype: info@chipsmall.com Web: www.chipsmall.com

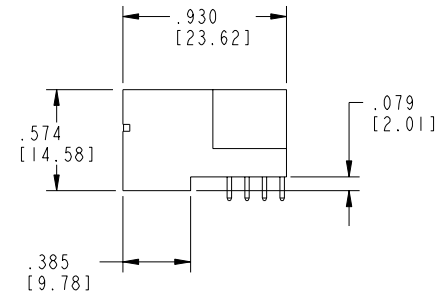
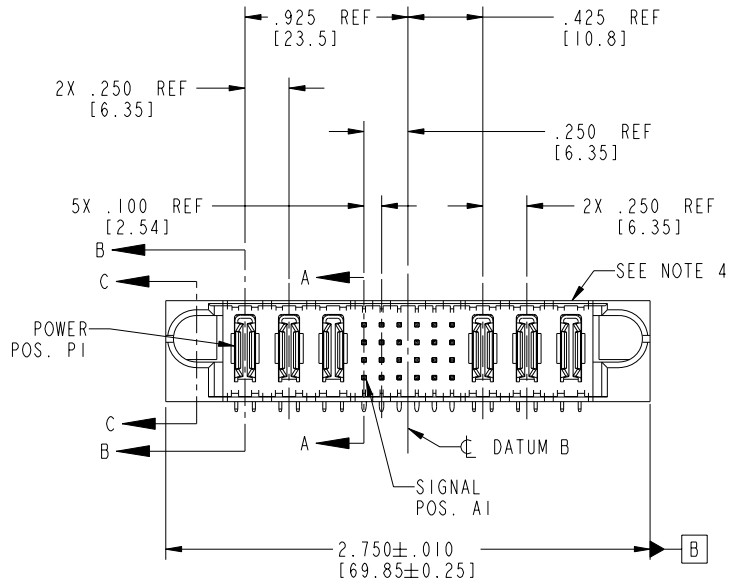
Address: A1208, Overseas Decoration Building, #122 Zhenhua RD., Futian, Shenzhen, China



Tous droits strictement réservés. Reproduction ou communication a des tiers interdite sous quelque forme que ce soit sans autorisation écrite du propriétaire. Propriété de c FCI. Droits de reproduction FCI.

All rights strictly reserved. Reproduction or issue to third parties in any form whatever is not permitted without written authority from the proprietor. Property of FCI. Copyright FCI.

PRODUCT NO.	ROWS	POWER			SIGNAL						POWER				
		E1	P1	P2	P3	1	2	3	4	5	6	P4	P5	P6	E2
51730-033	D C B A														
NOTE: ③															



CODE	DIM "M" MATING LENGTH	CONTACT TYPE
E	.220 [5.59]	SIGNAL
H	.220 [5.59]	SIGNAL
R	.270 [6.86]	SIGNAL
S	.270 [6.86]	SIGNAL
T	.270 [6.86]	SIGNAL
U	.270 [6.86]	SIGNAL
PA	N/A [N/A]	POWER

mat'l code				SEE NOTE 2		tolerances unless otherwise specified		CUSTOMER		 www.fciconnect.com	
ltr	ecn no.	dr	date	linear	.XX±.01/0.X±0.3	projection	COPY		title		
A	V12240	JRW	09/24/01		.XXX±.005/0.XX±0.13		3P + 24S + 3P		RIGHT ANGLE SOLDER HEADER		
B	V21291	CGD	09/10/02	angles	.XXX±.0020/0.XXX±0.051		INCH/MM		product family		code
C	DG05-0231	SJ	07/18/05	dr	0°±2°	scale	1:1		PwrBlade		213
D	DG05-0560	CS	12/26/05	enrg		size	A		51730-033		sheet
				chr	M. MOSTOLLER 09/10/02						1 of 4
				appd	M. MOSTOLLER 09/10/02						
sheet index	revision sheet	D 1	D 2	D 3	D 4						

cage code 22526 4

PDM: Rev:D

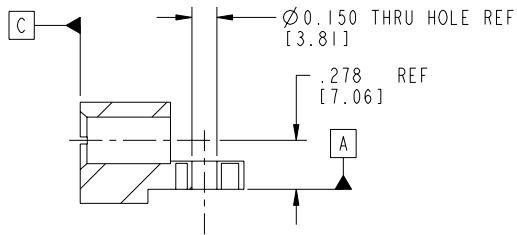
STATUS: Released

Printed: Dec 20, 2010

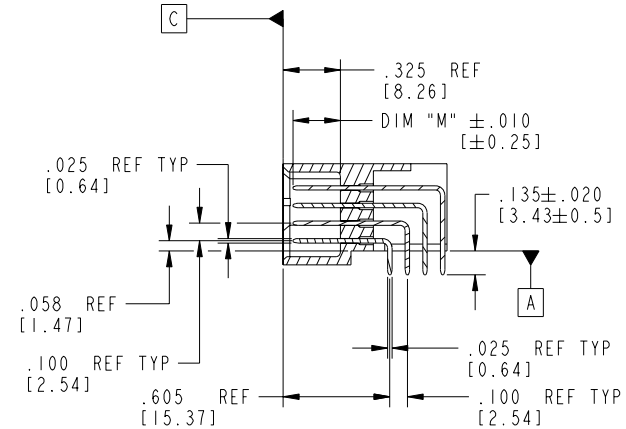
Tous droits strictement réservés. Reproduction ou communication à des tiers interdite sous quelque forme que ce soit sans autorisation écrite du propriétaire. Propriété de FCI. Droits de reproduction FCI.

All rights strictly reserved. Reproduction or issue to third parties in any form whatever is not permitted without written authority from the proprietor. Property of FCI. Copyright FCI.

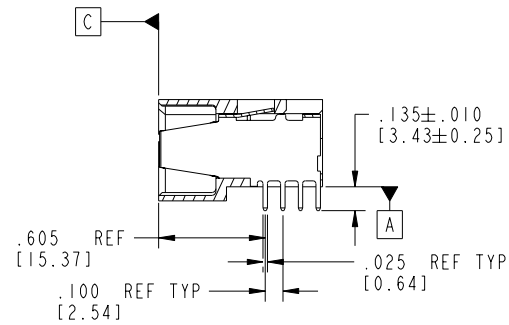
PRODUCT NUMBER
51730-033--
NOTE: (3)



SECTION C-C



SECTION A-A



SECTION B-B

mat'l code		SEE NOTE 2		tolerances unless otherwise specified		CUSTOMER		 www.fciconnect.com	
ltr	ecn no.	dr	date	linear	.XX±.01/0.X±0.3	COPY		title	
D					.XXX±.005/0.XX±0.13	projection		3P + 24S + 3P	
				angles	.XXX±.0020/0.XXX±0.051	 INCH/MM		RIGHT ANGLE SOLDER HEADER	
				dr	0°±2°	scale		product family	
				enrg	C. DAILY 09/10/02	1:1		PwrBlade	
				chr	M. MOSTOLLER 09/10/02			code	
				appd	M. MOSTOLLER 09/10/02			213	
sheet index	revision sheet							size	
								51730-033	
								sheet	
								2 of 4	

cage code 22526

Pro/E

PDM: Rev:D

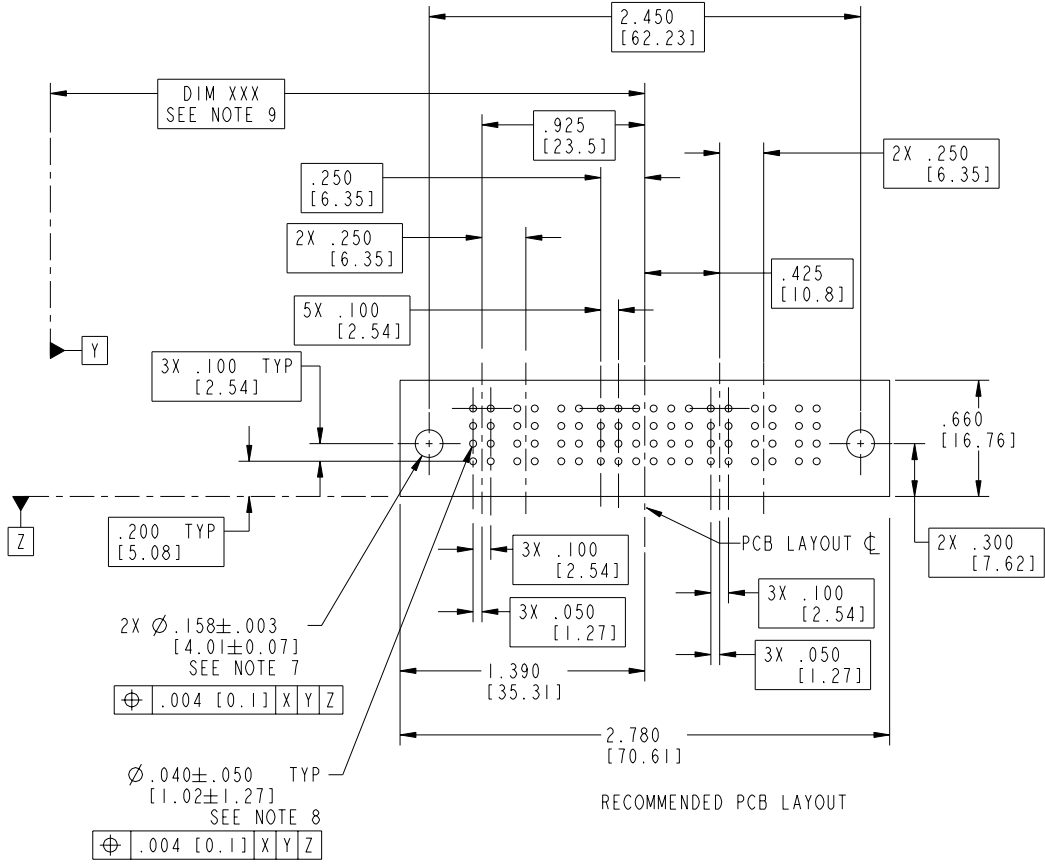
STATUS: Released

Printed: Dec 20, 2010

Tous droits strictement réservés. Reproduction ou communication a des tiers interdite sous quelque forme que ce soit sans autorisation écrite du propriétaire. Propriété de c FCI. Droits de reproduction FCI.

All rights strictly reserved. Reproduction or issue to third parties in any form whatever is not permitted without written authority from the proprietor. Property of FCI. Copyright FCI.

PRODUCT NUMBER
51730-033_
NOTE: ③



mat'l code		SEE NOTE 2		tolerances unless otherwise specified		CUSTOMER		 www.fciconnect.com	
ltr	ecn no.	dr	date	linear	.XX±.01/0.XX±0.3	COPY		title	
D				angles	.XXX±.005/0.XX±0.13	projection		3P + 24S + 3P	
				dr	.XXX±.0020/0.XX±0.051			RIGHT ANGLE SOLDER HEADER	
				enrg	0°±2°	INCH/MM		product family	
				chr	C. DAILY 09/10/02	scale		PwrBlade	
				appd	M. MOSTOLLER 09/10/02	1:1		code	
sheet index		revision sheet		size		A		213	
				scale		A		51730-033	
				sheet		3 of 4			
				cage code		22526		4	

PDM: Rev:D

STATUS: Released

Printed: Dec 20, 2010

Tous droits strictement réservés. Reproduction ou communication à des tiers interdite sous quelque forme que ce soit sans autorisation écrite du propriétaire. Propriété de c FCI. Droits de reproduction FCI.

All rights strictly reserved. Reproduction or issue to third parties in any form whatever is not permitted without written authority from the proprietor. Property of FCI. Copyright FCI.

PRODUCT NUMBER
51730-033_-
NOTE: ③

NOTES:

1. DIMENSIONS AND TOLERANCES ARE IN ACCORDANCE WITH ASME Y14.5M, 1994 UNLESS OTHERWISE SPECIFIED.
- CONNECTORS NOTES:
- ② HOUSING MATERIAL: UL 94 V-0 GLASS FILLED HIGH TEMP THERMO PLASTIC
POWER CONTACT MATERIAL: COPPER ALLOY
SIGNAL PIN MATERIAL: COPPER ALLOY
- ③ PLATING:
51730-033, 51730-033LF, PLATING SPEC SEE PRINT: 100064183.
4. "MANUFACTURER" NAME, P/N, AND DATE CODE TO APPEAR ON THIS SURFACE.
5. PRODUCT SPECIFICATION 6S-12-149.
- PCB - NOTES:
6. ALL HOLE DIAMETERS ARE FINISHED HOLE SIZE.
- ⑦ HOLD DOWN THROUGH HOLES ARE UNPLATED.
- ⑧ $\varnothing .0453 \pm 0.0010$ [1.151 \pm 0.025] DRILLED HOLES PLATED WITH 0.0003 [0.008] MIN SnPb OVER .001 [0.03] TO .003 [0.08] Cu PLATING TO ACHIEVE $\varnothing .040 \pm .003$ [1.02 \pm .07] HOLE.
- ⑨ "DIM XXX" TO BE DETERMINED BY THE CUSTOMER.

mat'l code				SEE NOTE 2				tolerances unless otherwise specified				CUSTOMER				A FCI			
ltr		ecn no.		dr		date		linear		.XX±.01/0.X±0.3		projection		COPY		www.fciconnect.com			
D								.XXX±.005/0.XX±0.13		XXXX±.0020/0.XXX±0.051				title		3P + 24S + 3P			
								angles		0° ± 2°		INCH/MM		product family		PwrBlade			
								dr		C. DAILY 09/10/02		scale		size		code			
								enrg		M. MOSTOLLER 09/10/02		1:1		A		213			
								chr		M. MOSTOLLER 09/10/02		51730-033		sheet		4 of 4			
								appd		M. MOSTOLLER 09/10/02									
sheet index		revision sheet																	

cage code 22526 4