



Chipsmall Limited consists of a professional team with an average of over 10 year of expertise in the distribution of electronic components. Based in Hongkong, we have already established firm and mutual-benefit business relationships with customers from,Europe,America and south Asia,supplying obsolete and hard-to-find components to meet their specific needs.

With the principle of “Quality Parts,Customers Priority,Honest Operation,and Considerate Service”,our business mainly focus on the distribution of electronic components. Line cards we deal with include Microchip,ALPS,ROHM,Xilinx,Pulse,ON,Everlight and Freescale. Main products comprise IC,Modules,Potentiometer,IC Socket,Relay,Connector.Our parts cover such applications as commercial,industrial, and automotives areas.

We are looking forward to setting up business relationship with you and hope to provide you with the best service and solution. Let us make a better world for our industry!



Contact us

Tel: +86-755-8981 8866 Fax: +86-755-8427 6832

Email & Skype: info@chipsmall.com Web: www.chipsmall.com

Address: A1208, Overseas Decoration Building, #122 Zhenhua RD., Futian, Shenzhen, China



Capacitor-Coupled, Switched Shunt, (CCSS) Regulator

Features

- ▶ Efficiencies up to 75% at 20mA
- ▶ Less than 20mW standby power
- ▶ Optional 6.0V, 12V or 24V fixed output voltage, or adjustable from 6.0V to 28V
- ▶ Output current scalable up to 50mA
- ▶ 120VAC to 240VAC input
- ▶ No magnetics
- ▶ Inherent short circuit protection

Applications

- ▶ Household appliances
- ▶ White goods
- ▶ Lighting controls
- ▶ Utility meters

General Description

The Supertex SR10 is a non-isolated, capacitor-coupled, switched shunt regulator designed to operate directly from the AC line. Output voltage can be either fixed at 6.0V, 12V, or 24V using an internal feedback divider or be adjusted over a 6.0V to 28V range using an external feedback divider. Output current capability is scalable to 50mA, by selection of the series coupling capacitor (C_s) on the AC line. Standby power can be under 20mW, and efficiencies of 75% are possible depending upon configuration and degree of transient protection.

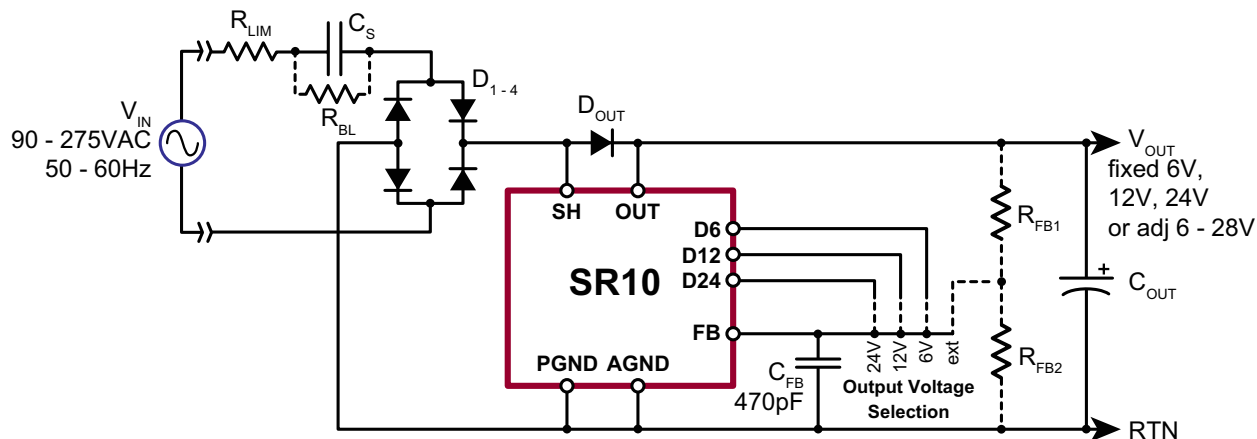
All components except for C_s are low voltage, easing PCB layout and alleviating high voltage creepage concerns.

Inherent short circuit protection is afforded by the reactance of the C_s series capacitor, which limits current even with a dead short on the output. Overcurrent protection (OCP) shuts off the shunt during a line transient.

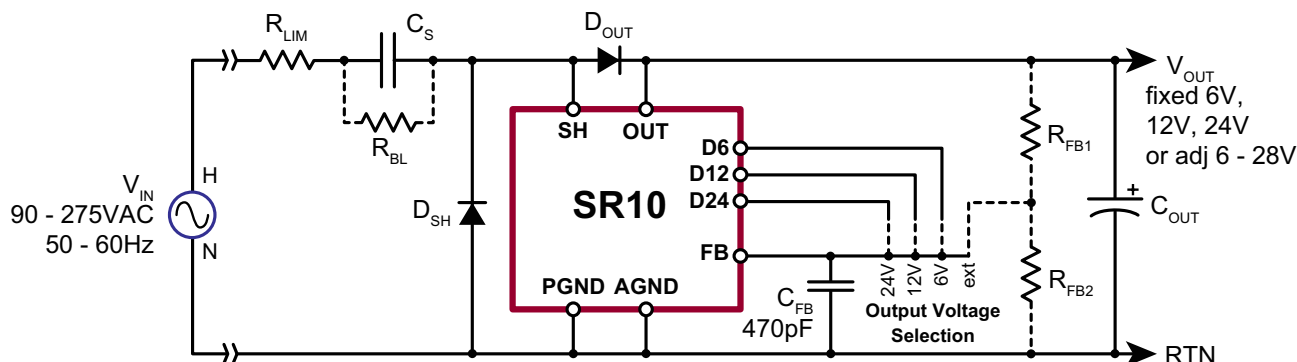
Refer to application note AN-H65 for further information.

Typical Application Circuits

Full-wave Rectification



Half-wave Rectification



Ordering Information

| Part Number | Package Option | Packing |
|-------------|----------------|-----------|
| SR10LG-G | 8-Lead SOIC | 2500/Reel |

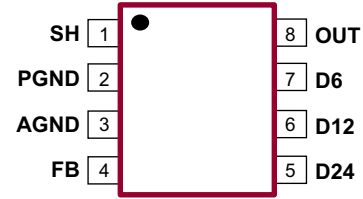
-G indicates package is RoHS compliant ("Green")

Absolute Maximum Ratings

| Parameter | Value |
|--------------------------------|-----------------|
| V_{OUT} , V_{SH} | 40V |
| V_{FB} | 5.0V |
| PGND – AGND | ±300mV |
| $I_{IN(RMS)}$ (SH to PGND) | 300mARMS |
| I_{DSH} (PGND to SH) | 300mA |
| Operating junction temperature | -40°C to +125°C |

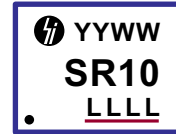
Absolute Maximum Ratings are those values beyond which damage to the device may occur. Functional operation under these conditions is not implied. Continuous operation of the device at the absolute rating level may affect device reliability. All voltages are referenced to device ground.

Pin Configuration



8-Lead SOIC
(top view)

Product Marking



YY = Year Sealed
 WW = Week Sealed
 L = Lot Number
 _____ = "Green" Packaging

Package may or may not include the following marks: Si or

8-Lead SOIC

Typical Thermal Resistance

| Package | θ_{ja} |
|-------------|---------------|
| 8-Lead SOIC | 101°C/W* |

Recommended Operating Conditions

| Sym | Parameter | Min | Typ | Max | Units | Conditions |
|-----------|--------------------|---------------------------------|-----|-----|-------|------------|
| I_{SH} | Peak shunt current | See Maximum Shunt Current Graph | | | --- | --- |
| V_{OUT} | Output voltage | 6.0 | - | 28 | V | --- |

Electrical Characteristics (Unless otherwise noted, $T_A = 25^\circ\text{C}$, Voltages referenced to PGND/AGND pin)

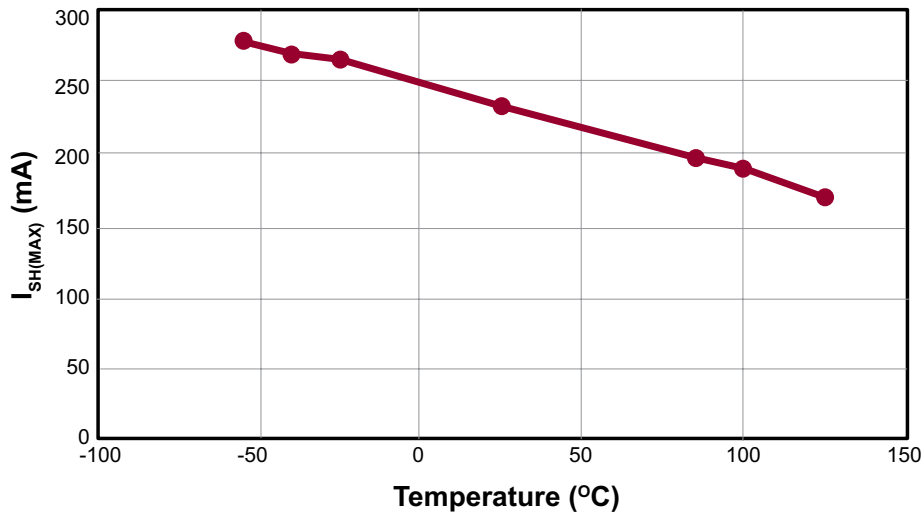
| Sym | Parameter | Min | Typ | Max | Unit | Conditions |
|-----------|--|-------------------------------------|------------------------|------------------------|------|--|
| V_{FB} | Feedback threshold (shunt turn-off) | 1.02 | 1.20 | 1.38 | V | $T_A = 25^\circ\text{C}$ $T_A = -40^\circ\text{C}$ to $+85^\circ\text{C}^1$ |
| I_{FB} | FB input bias current | - | - | ±1.0 | µA | --- |
| A_{DIV} | Internal feedback divider ratio: | D6: 4.85 D12: 9.70 D24: 19.40 | 5.00 10.00 20.00 | 5.15 10.30 20.60 | V/V | $V_{OUT} = 6.0\text{V}$ $V_{OUT} = 12\text{V}$ $V_{OUT} = 24\text{V}$ |
| R_{DIV} | Internal divider resistance ¹ | - | 500 | - | kΩ | OUT to AGND |
| R_{SH} | Shunt on resistance | - | 3.0 | 7.0 | Ω | 100mA SH to PGND 100mA PGND to SH |
| I_{SH} | Max shunt current | 220 | - | - | mA | $V_{SH} < 1.2\text{V}$, 25°C |
| | | 180 | - | - | | 85°C^1 |
| V_D | Shunt diode voltage drop | - | 880 | - | mV | $I_D = 220\text{mA}$ |

Note:
 1. Guaranteed by design.

Electrical Characteristics (Unless otherwise noted, $T_A = 25^\circ\text{C}$, Voltages referenced to PGND/AGND pin)

| Sym | Parameter | Min | Typ | Max | Unit | Conditions |
|------------|---|-----|-----|-----|------------------|---|
| I_{BIAS} | Bias current into OUT pin | - | 220 | 400 | μA | 28V applied to the OUT pin |
| R_{PD} | Pull-down resistance on SH | 40 | 50 | 60 | $\text{k}\Omega$ | $V_{SH} = 1.5\text{V}$ |
| V_{SYNC} | Voltage at SH to turn the shunt on (SYNC) | 2.0 | 2.3 | 2.5 | V | --- |
| V_{OCP} | Voltage at SH to turn the shunt off when on (OCP) | 2.0 | 2.3 | 2.5 | V | Shunt on |
| t_{FALL} | Shunt current fall time | - | 15 | - | μs | 90 - 10%, $I_{SH} = 100\text{mA}$ |
| t_{OCP} | OCP response time | - | 15 | - | μs | Shunt on, $I_{SHUNT} < 10\text{mA}$, See Figure 3 |

Maximum Shunt Current



Internal Block Diagram

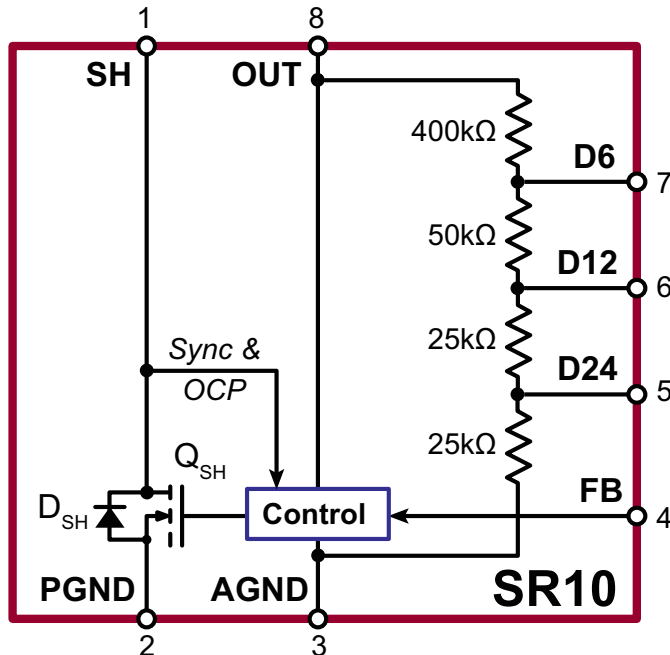


Figure 1: OCP Timing

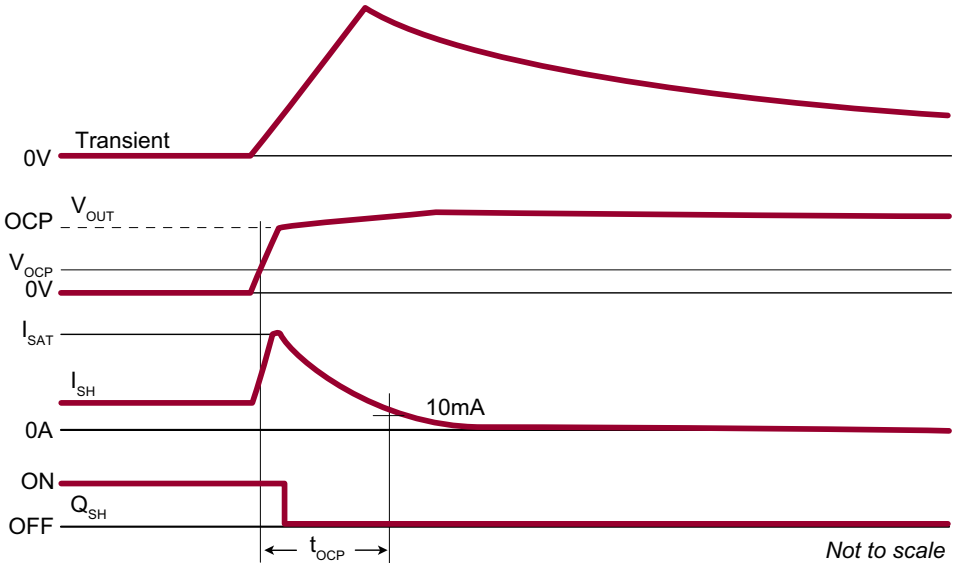


Figure 2: Shunt Diode Characteristics

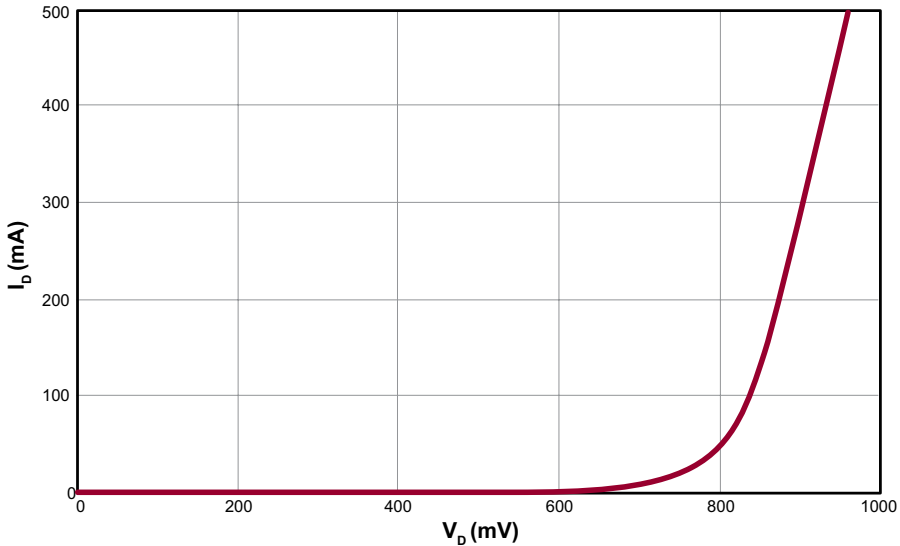
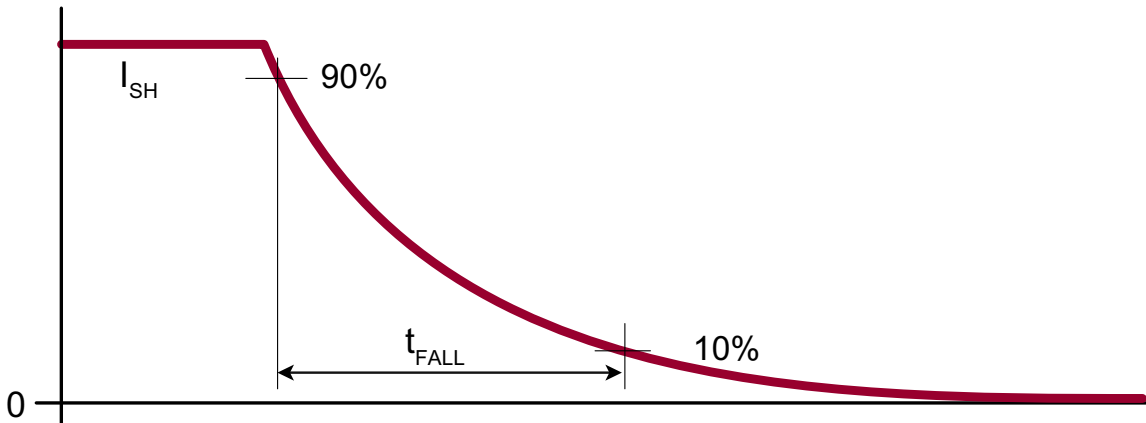


Figure 3: Shunt Turn-off Fall Time

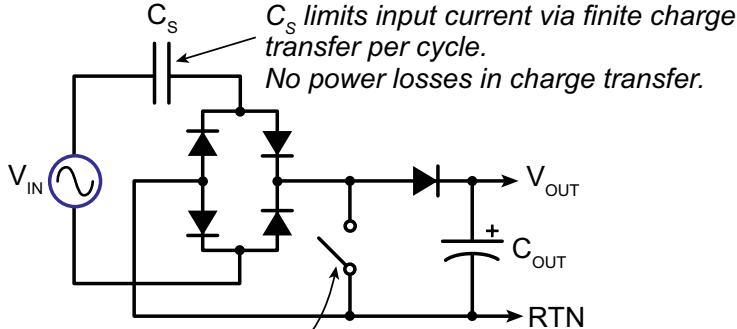


Application Information

The SR10 is a capacitor-coupled, switched shunt regulator. Capacitor-coupling to the AC line limits input current due to the finite charge per cycle that can be transferred. Contrast-

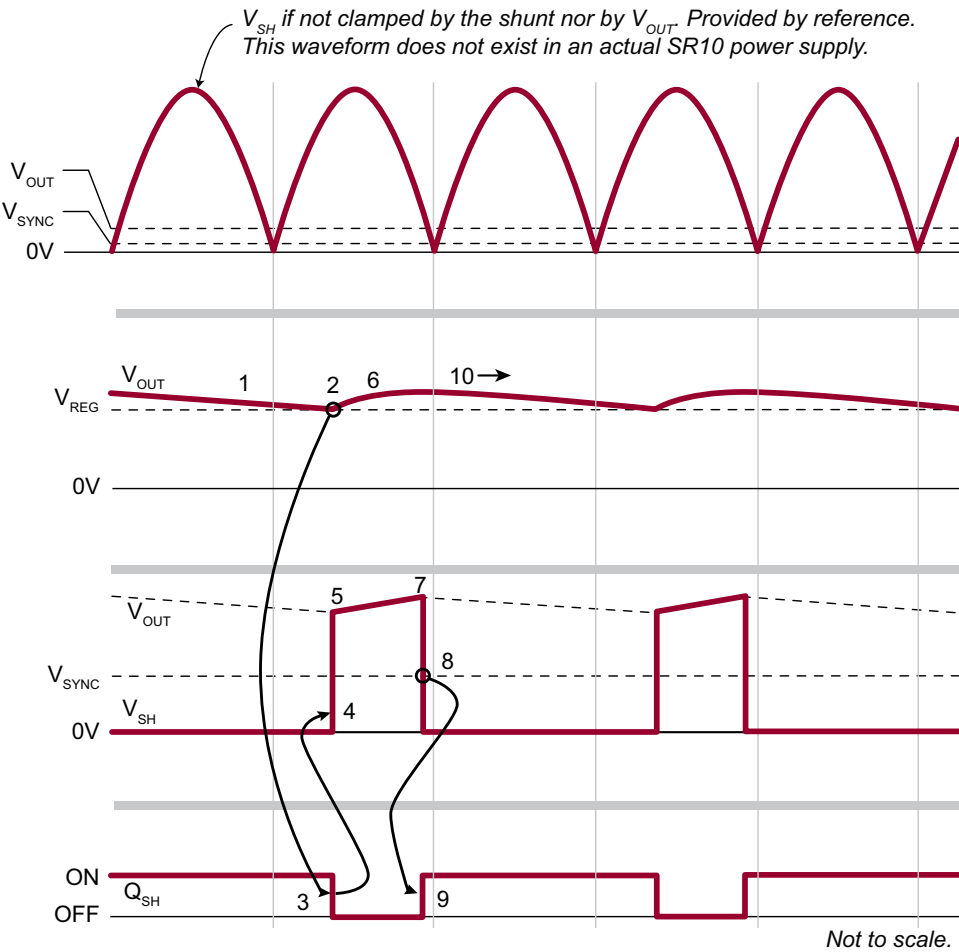
ing with a traditional Zener shunt, the switched shunt operates either fully on or fully off, resulting in low standby power consumption.

Simplified Schematic



Shunt operates either fully on or fully off.
No power-wasting linear operation.

Timing



1. Output voltage decays under load until ...
2. it hits the regulation point which...
3. turns off the shunt...
4. freeing V_{SH} to rise...
5. until it is clamped by V_{OUT} where...
6. Input current flows to the output, causing V_{OUT} to rise...
7. until V_{SH} falls below V_{OUT}
8. When it reaches V_{SYNC} ...
9. the shunt is turned on and current no longer flows to the output.
10. The cycle repeats.

Not to scale.

Output Current Capability

Output current capability is largely a function of capacitor C_s and the input voltage. The following table provides approximate current capability for various C_s values and line voltages. Actual current will be less due to losses. Higher output voltages slightly reduce output current capability.


C_s Table

The following table is based on the previously provided equations for C_s . Actual output current may be less due to losses (~5% less). AC line voltage is assumed to be 90 - 135VRMS @ 60Hz or 190 - 275VRMS @ 50Hz. Slashed cells exceed recommended operating conditions for peak shunt current at 85°C.

For universal 120V and 240V operation choose C_s based on 120VAC and make sure that operation at 240VAC does not fall in a slashed cell. The relevant cells are adjacent to each other. For example, if 50mA at 12V is needed and full rectification used, a C_s capacitor of $2.2\mu\text{F} \pm 10\%$ provides 53.8mA at 120VAC (90VAC low line). But at 240VAC, the cell to the right (240VAC column) is slashed, and universal operation is not possible. This assumes 120VAC low line is 90VAC and 240VAC high line is 275VAC. For other high/low voltages use the equations.

Output current capability (mA)

| C_s | C_s Tol | 6V Output | | | | 12V Output | | | | 24V Output | | | |
|-------------------|-----------|-----------------|-----------------|-----------|------------------|-----------------|-----------------|-----------|------------------|-----------------|-----------------|-----------------|-----------------|
| | | Half | | Full | | Half | | Full | | Half | | Full | |
| | | 120V 60Hz | 240V 50Hz | 120V 60Hz | 240V 50Hz | 120V 60Hz | 240V 50Hz | 120V 60Hz | 240V 50Hz | 120V 60Hz | 240V 50Hz | 120V 60Hz | 240V 50Hz |
| 220nF | 10% | 2.9 | 5.2 | 5.7 | 10.3 | 2.9 | 5.2 | 5.4 | 10.1 | 2.7 | 5.1 | 4.8 | 9.6 |
| | 20% | 2.6 | 4.7 | 5.0 | 9.2 | 2.5 | 4.6 | 4.8 | 9.0 | 2.4 | 4.5 | 4.3 | 8.5 |
| 330nF | 10% | 4.4 | 7.9 | 8.5 | 15.5 | 4.3 | 7.8 | 8.1 | 15.1 | 4.1 | 7.6 | 7.2 | 14.4 |
| | 20% | 3.9 | 7.0 | 7.6 | 13.8 | 3.8 | 6.9 | 7.2 | 13.4 | 3.6 | 6.8 | 6.4 | 12.8 |
| 470nF | 10% | 6.3 | 11.2 | 12.1 | 22.0 | 6.1 | 11.1 | 11.5 | 21.5 | 5.8 | 10.8 | 10.3 | 20.5 |
| | 20% | 5.6 | 10.0 | 10.8 | 19.6 | 5.4 | 9.9 | 10.2 | 19.1 | 5.2 | 9.6 | 9.1 | 18.2 |
| 680nF | 10% | 9.1 | 16.2 | 17.5 | 31.9 | 8.9 | 16.0 | 16.6 | 31.2 | 8.4 | 15.7 | 14.9 | 29.7 |
| | 20% | 8.1 | 14.4 | 15.6 | 28.4 | 7.9 | 14.3 | 14.8 | 27.7 | 7.5 | 13.9 | 13.2 | 26.4 |
| 1.0 μF | 10% | 13.3 | 23.9 | 25.7 | 46.9 | 13.0 | 23.6 | 24.4 | 45.8 | 12.4 | 23.0 | 21.9 | 43.7 |
| | 20% | 11.9 | 21.2 | 22.9 | 41.7 | 11.6 | 21.0 | 21.7 | 40.7 | 11.0 | 20.5 | 19.4 | 38.8 |
| 1.5 μF | 10% | 20.0 | 35.8 | 38.6 | 70.4 | 19.5 | 35.4 | 36.7 | 68.7 | 18.6 | 34.6 | 32.8 | 65.5 |
| | 20% | 17.8 | 31.8 | 34.3 | 62.5 | 17.4 | 31.4 | 32.6 | 61.1 | 16.5 | 30.7 | 29.1 | 58.2 |
| 2.2 μF | 10% | 29.4 | 52.5 | 56.6 | 103.2 | 28.6 | 51.9 | 53.8 | 100.8 | 27.2 | 50.7 | 48.1 | 96.1 |
| | 20% | 26.1 | 46.6 | 50.3 | 91.7 | 25.5 | 46.1 | 47.8 | 89.6 | 24.2 | 45.1 | 42.7 | 85.4 |

 = Exceeds Recommended Operating Limits

Output Voltage

The output voltage may be adjusted over the range of 6V to 28V using either the SR10's internal feedback divider or by using an external divider. The internal divider has taps for 6V, 12V, and 24V which are brought out to pins D6, D12, and D24 respectively. Connecting the appropriate tap to the

feedback pin (FB) provides the chosen output voltage. If an output voltage other than that provided by the internal divider is required, an external feedback divider from V_{OUT} to the FB pin may be used. The range is from 6V to 28V.

| FB pin connected to... | Output Voltage |
|------------------------|---|
| D6 | 6V |
| D12 | 12V |
| D24 | 24V |
| External divider | $V_{OUT} = 1.2V \left(1 + \frac{R_{FB1}}{R_{FB2}} \right)$ |

Note:
A 470pF capacitor from FB pin to AGND pin minimizes the effects of a noisy AC line.

Pin Description

| Name | Pin | Description |
|------|-----|------------------------------------|
| SH | 1 | Shunt |
| PGND | 2 | Power ground for the shunt |
| AGND | 3 | Analog ground for the controller |
| FB | 4 | Feedback input |
| D24 | 5 | Internal feedback divider 24V tap |
| D12 | 6 | Internal feedback divider 12V tap |
| D6 | 7 | Internal feedback divider 6.0V tap |
| OUT | 8 | Connect to regulator output |

Note:
All pins are low voltage.

Additional Information

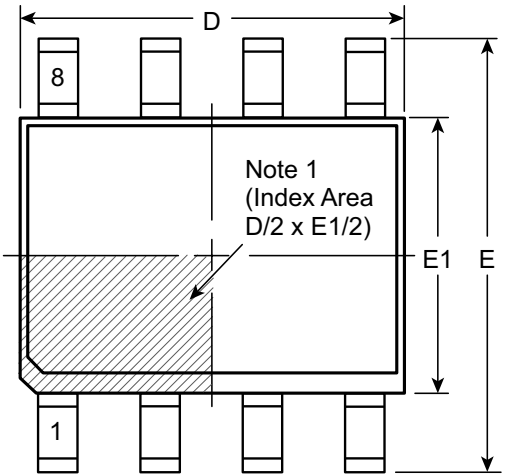
For a more detailed description or for sample circuits, an application note and a demo board are available.

- AH-H65** **CCSS Application Note**
 - Explains the operating principle of the capacitor-coupled, switched shunt regulator
 - Provides design equations and guidelines
 - Specifies special testing considerations

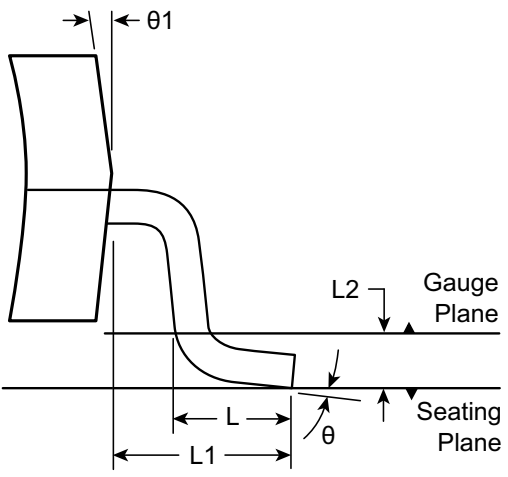
- SR10DB1** **SR10 Demo Board**
 - Jumper-selectable half-wave or full-wave recitfication
 - Jumper-selectable output voltage
 - Socketed components allow easy optimization

8-Lead SOIC (Narrow Body) Package Outline (LG)

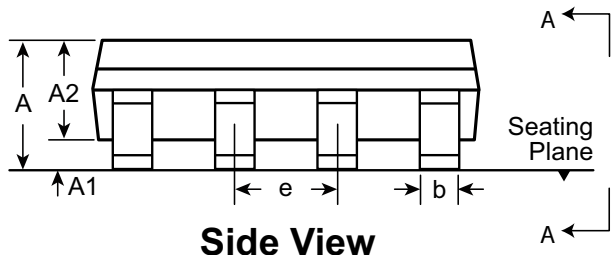
4.90x3.90mm body, 1.75mm height (max), 1.27mm pitch



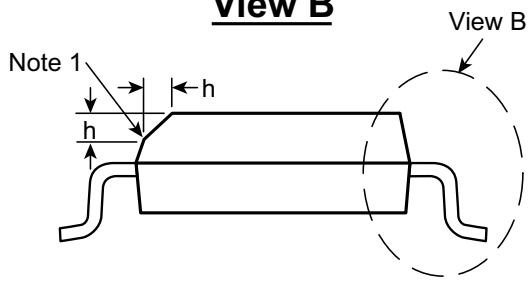
Top View



View B



Side View



View A-A

Note:
 1. This chamfer feature is optional. A Pin 1 identifier must be located in the index area indicated. The Pin 1 identifier can be: a molded mark/identifier; an embedded metal marker; or a printed indicator.

| Symbol | A | A1 | A2 | b | D | E | E1 | e | h | L | L1 | L2 | θ | θ1 | |
|----------------|-----|-------|------|-------|------|-------|-------|-------|----------|------|------|----------|----------|-----|----|
| Dimension (mm) | MIN | 1.35* | 0.10 | 1.25 | 0.31 | 4.80* | 5.80* | 3.80* | 1.27 BSC | 0.25 | 0.40 | 1.04 REF | 0.25 BSC | 0° | 5° |
| | NOM | - | - | - | - | 4.90 | 6.00 | 3.90 | | - | - | | - | - | |
| | MAX | 1.75 | 0.25 | 1.65* | 0.51 | 5.00* | 6.20* | 4.00* | | 0.50 | 1.27 | | 8° | 15° | |

JEDEC Registration MS-012, Variation AA, Issue E, Sept. 2005.
 * This dimension is not specified in the JEDEC drawing.

Drawings are not to scale.
Supertex Doc. #: DSPD-8SOLGTG, Version I041309.

(The package drawing(s) in this data sheet may not reflect the most current specifications. For the latest package outline information go to <http://www.supertex.com/packaging.html>.)

Supertex inc. does not recommend the use of its products in life support applications, and will not knowingly sell them for use in such applications unless it receives an adequate "product liability indemnification insurance agreement." **Supertex inc.** does not assume responsibility for use of devices described, and limits its liability to the replacement of the devices determined defective due to workmanship. No responsibility is assumed for possible omissions and inaccuracies. Circuitry and specifications are subject to change without notice. For the latest product specifications refer to the **Supertex inc.** (website: <http://www.supertex.com>)