



Chipsmall Limited consists of a professional team with an average of over 10 year of expertise in the distribution of electronic components. Based in Hongkong, we have already established firm and mutual-benefit business relationships with customers from,Europe,America and south Asia,supplying obsolete and hard-to-find components to meet their specific needs.

With the principle of “Quality Parts,Customers Priority,Honest Operation,and Considerate Service”,our business mainly focus on the distribution of electronic components. Line cards we deal with include Microchip,ALPS,ROHM,Xilinx,Pulse,ON,Everlight and Freescale. Main products comprise IC,Modules,Potentiometer,IC Socket,Relay,Connector.Our parts cover such applications as commercial,industrial, and automotives areas.

We are looking forward to setting up business relationship with you and hope to provide you with the best service and solution. Let us make a better world for our industry!



Contact us

Tel: +86-755-8981 8866 Fax: +86-755-8427 6832

Email & Skype: info@chipsmall.com Web: www.chipsmall.com

Address: A1208, Overseas Decoration Building, #122 Zhenhua RD., Futian, Shenzhen, China



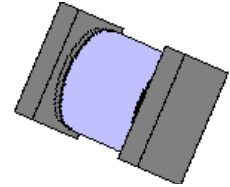
**VOIDLESS-HERMETICALLY SEALED
SURFACE MOUNT FAST RECOVERY
GLASS RECTIFIERS**

DESCRIPTION

This "fast recovery" rectifier diode series is ideal for high-reliability applications where a failure cannot be tolerated. These industry-recognized 3.0 Amp rated rectifiers for working peak reverse voltages from 100 to 600 volts are hermetically sealed with voidless-glass construction using an internal "Category I" metallurgical bond. These devices are also available in military qualified axial-leaded packages by deleting the "US" suffix. Microsemi also offers numerous other rectifier products to meet higher and lower current ratings with various recovery time speed requirements including fast and ultrafast device types in both through-hole and surface mount packages.

APPEARANCE

**Package "E"
or D-5B**



IMPORTANT: For the most current data, consult MICROSEMI's website: <http://www.microsemi.com>

FEATURES

- Surface mount equivalent to the popular JEDEC registered 1N5186 to 1N5190 series
- Voidless hermetically sealed glass package
- Triple-Layer Passivation
- Internal "Category I" Metallurgical bonds
- Working Peak Reverse Voltage 100 to 600 Volts.
- Further options in screening in accordance with MIL-PRF-19500/424 for JAN, JANTX, and JANTXV by adding a MQ, MX, or MV prefix respectively, e.g. MX1N5186US, MV1N5187US, etc.
- Axial-leaded package equivalents also available (see separate data sheet for 1N5186 thru 1N5190)

APPLICATIONS / BENEFITS

- Fast recovery 3 Amp rectifiers 100 to 600 V
- Military and other high-reliability applications
- General rectifier applications including bridges, half-bridges, catch diodes, etc.
- High forward surge current capability
- Extremely robust construction
- Low thermal resistance
- Controlled avalanche with peak reverse power capability
- Inherently radiation hard as described in Microsemi MicroNote 050

MAXIMUM RATINGS

- Junction & Storage Temperature: -65°C to +175°C
- Thermal Resistance: 10°C/W junction to end cap
- Thermal Impedance: 1.5°C/W @ 10 ms heating time
- Average Rectified Forward Current (I_O): 3.0 Amps @ T_A = 25°C and 0.700 Amps at T_A = 150°C
- Forward Surge Current: 80 Amps @ 8.3 ms half-sine
- Solder Temperatures: 260°C for 10 s (maximum)

MECHANICAL AND PACKAGING

- CASE: Hermetically sealed voidless hard glass with Tungsten slugs
- TERMINATIONS: End caps are Copper with Tin/Lead (Sn/Pb) finish. Note: Previous inventory had solid Silver end caps with Tin/Lead (Sn/Pb) finish.
- MARKING: Cathode band only
- POLARITY: Cathode indicated by band
- TAPE & REEL option: Standard per EIA-481-B
- WEIGHT: 539 mg
- See package dimensions on last page

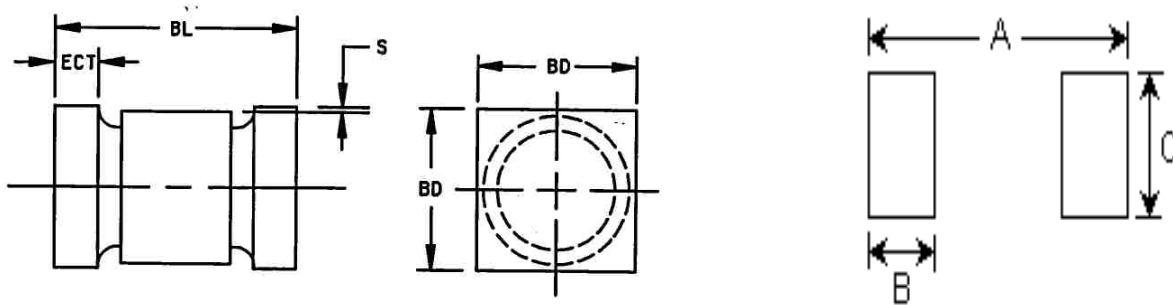
ELECTRICAL CHARACTERISTICS

TYPE	WORKING PEAK REVERSE VOLTAGE	MINIMUM BREAKDOWN VOLTAGE	FORWARD VOLTAGE		MAXIMUM REVERSE CURRENT		MAXIMUM REVERSE RECOVERY TIME	AVERAGE RECTIFIED CURRENT AMPS	
	V _{RWM}	V _{BR} @ 50μA	V _F @ 9A (pulsed)		I _R @ V _{RWM}		t _{rr}	I _O	
	VOLTS	VOLTS	MIN VOLTS	MAX VOLTS	25°C μA	100°C μA	ns	25°C AMPS	150°C AMPS
1N5186US	100V	120V	0.9V	1.5V	2.0	100	150	3.0	0.7
1N5187US	200V	240V						3.0	0.7
1N5188US	400V	480V						3.0	0.7
1N5189US	500V	550V						3.0	0.7
1N5190US	600V	660V						3.0	0.7

SYMBOLS & DEFINITIONS

Symbol	Definition
V_{BR}	Minimum Breakdown Voltage: The minimum voltage the device will exhibit at a specified current.
V_{RWM}	Working Peak Reverse Voltage: The maximum peak voltage that can be applied over the operating temperature range.
V_F	Maximum Forward Voltage: The maximum forward voltage the device will exhibit at a specified current.
I_R	Maximum Leakage Current: The maximum leakage current that will flow at the specified voltage and temperature.
t_{rr}	Reverse Recovery Time: The time interval between the instant the current passes through zero when changing from the forward direction to the reverse direction and a specified decay point after a peak reverse current occurs.

PACKAGE DIMENSIONS



NOTE: This Package Outline has also previously been identified as "D-5B"

PAD LAYOUT

	INCHES		mm	
	MIN	MAX	MIN	MAX
BL	.200	.225	5.08	5.72
BD	.137	.148	3.48	3.76
ECT	.019	.028	0.48	0.711
S	.003	---	0.08	---

	INCHES		mm	
	MIN	MAX	MIN	MAX
A	0.288	---	7.32	---
B	0.070	---	1.78	---
C	0.155	---	3.94	---
Note: If mounting requires adhesive separate from the solder, an additional 0.080 inch diameter contact may be placed in the center between the pads as an optional spot for cement.				