



Chipsmall Limited consists of a professional team with an average of over 10 year of expertise in the distribution of electronic components. Based in Hongkong, we have already established firm and mutual-benefit business relationships with customers from,Europe,America and south Asia,supplying obsolete and hard-to-find components to meet their specific needs.

With the principle of “Quality Parts,Customers Priority,Honest Operation,and Considerate Service”,our business mainly focus on the distribution of electronic components. Line cards we deal with include Microchip,ALPS,ROHM,Xilinx,Pulse,ON,Everlight and Freescale. Main products comprise IC,Modules,Potentiometer,IC Socket,Relay,Connector.Our parts cover such applications as commercial,industrial, and automotives areas.

We are looking forward to setting up business relationship with you and hope to provide you with the best service and solution. Let us make a better world for our industry!



Contact us

Tel: +86-755-8981 8866 Fax: +86-755-8427 6832

Email & Skype: info@chipsmall.com Web: www.chipsmall.com

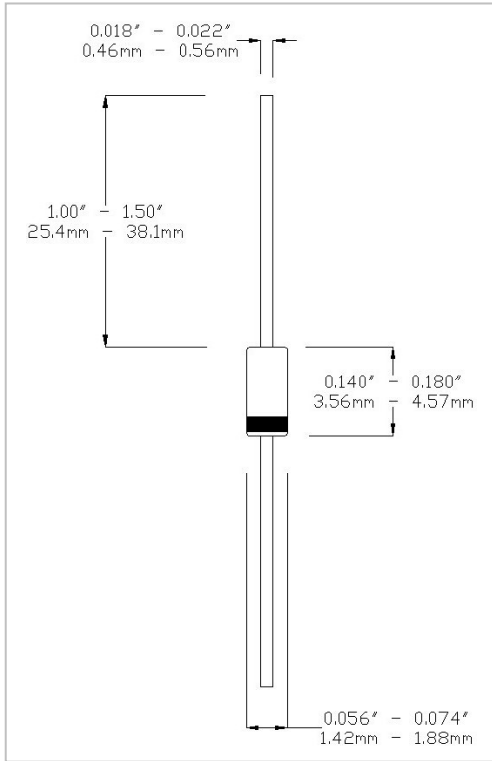
Address: A1208, Overseas Decoration Building, #122 Zhenhua RD., Futian, Shenzhen, China



1N648-1

FEATURES

- 1N648-1
- SILICON RECTIFIER
- METALLURGICALLY BONDED
- HERMETICALLY SEALED
- DOUBLE PLUG CONSTRUCTION



MAXIMUM RATINGS AT 25 °C

Operating Temperature:	-65°C to +175°C
Storage Temperature:	-65°C to +175°C
Surge Current A, sine 8.3ms:	5.0A
Total Power Dissipation:	500mW
Operating Current:	400mA, T _A = +25°C
Operating Current:	150mA, T _A = +150°C
Derating Factor:	2mA/°C above +25°C
Derating Factor:	6mA/°C above +150°C
D.C. Reverse Voltage (VRWM):	500V

DC ELECTRICAL CHARACTERISTICS

V _F				I _R			
Ambient (°C)	I _F mA	Min V	Max V	Ambient (°C)	V _R V (dc)	Min μA	Max μA
25	400	0.80	1.00	25	500	-	0.050
				25	600	-	50

DESIGN DATA

Case: Hermetically sealed glass package

Lead Material: Copper clad steel

Lead Finish: Tin/Lead

Marking: Blue body coat, Black digits.

Polarity: Cathode end is banded.

AC ELECTRICAL CHARACTERISTICS AT 25°C

	Symbol	Min	Max
Capacitance @ V _R = 4V	pF	-	20



WWW.MICROSEMI.COM

IRELAND - GORT ROAD, ENNIS, CO. CLARE

PHONE: +353 65 6840044
TOLL FREE: +186 62 702434
FAX: +353 65 6822298

U.S.A. DOMESTIC SALES CONTACT

PHONE: (617) 926 0404
TOLL FREE: 1 800 666 2999