



Chipsmall Limited consists of a professional team with an average of over 10 year of expertise in the distribution of electronic components. Based in Hongkong, we have already established firm and mutual-benefit business relationships with customers from,Europe,America and south Asia,supplying obsolete and hard-to-find components to meet their specific needs.

With the principle of “Quality Parts,Customers Priority,Honest Operation,and Considerate Service”,our business mainly focus on the distribution of electronic components. Line cards we deal with include Microchip,ALPS,ROHM,Xilinx,Pulse,ON,Everlight and Freescale. Main products comprise IC,Modules,Potentiometer,IC Socket,Relay,Connector.Our parts cover such applications as commercial,industrial, and automotives areas.

We are looking forward to setting up business relationship with you and hope to provide you with the best service and solution. Let us make a better world for our industry!



Contact us

Tel: +86-755-8981 8866 Fax: +86-755-8427 6832

Email & Skype: info@chipsmall.com Web: www.chipsmall.com

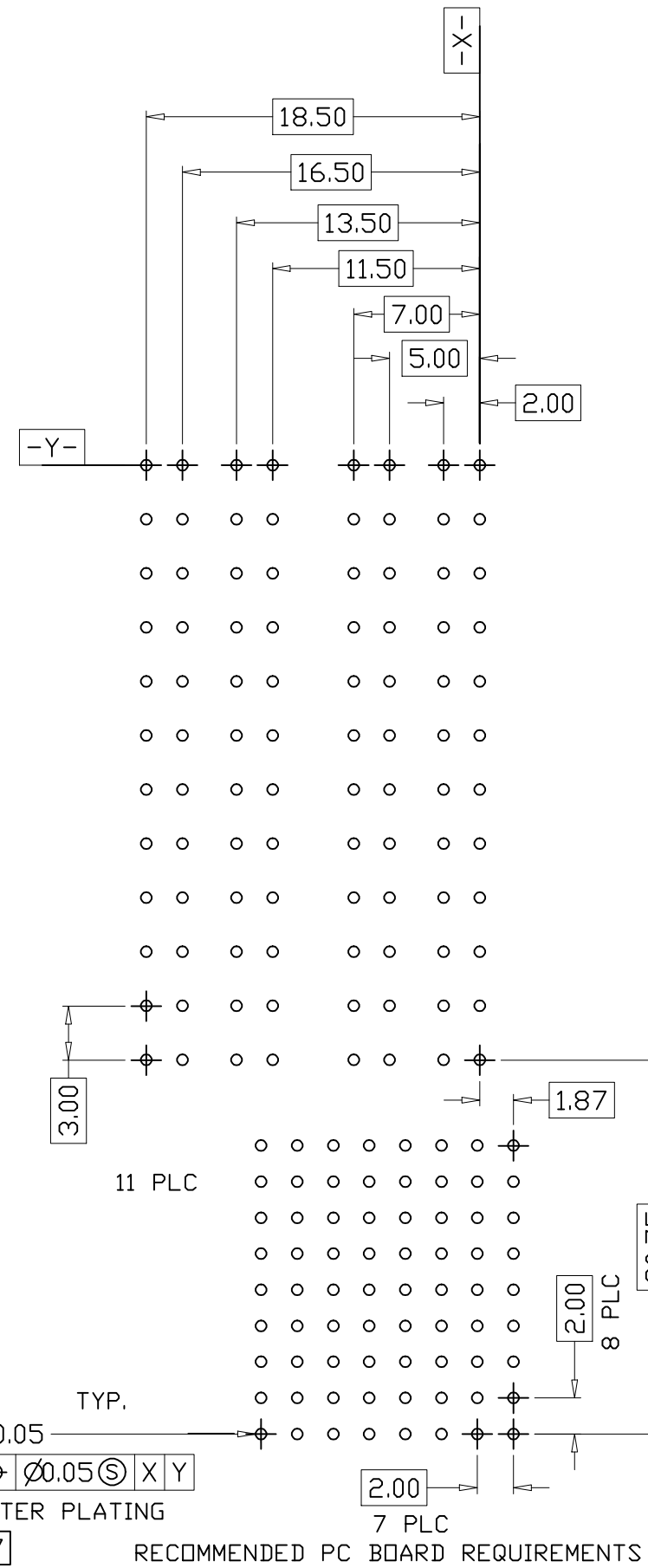
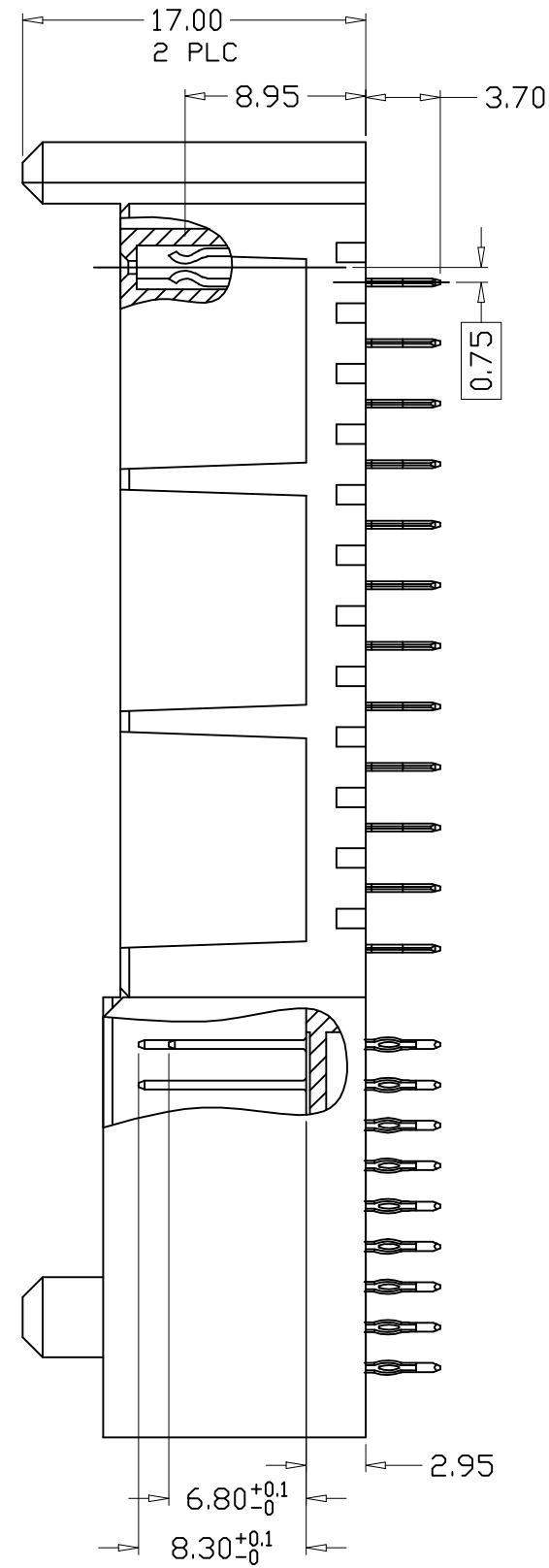
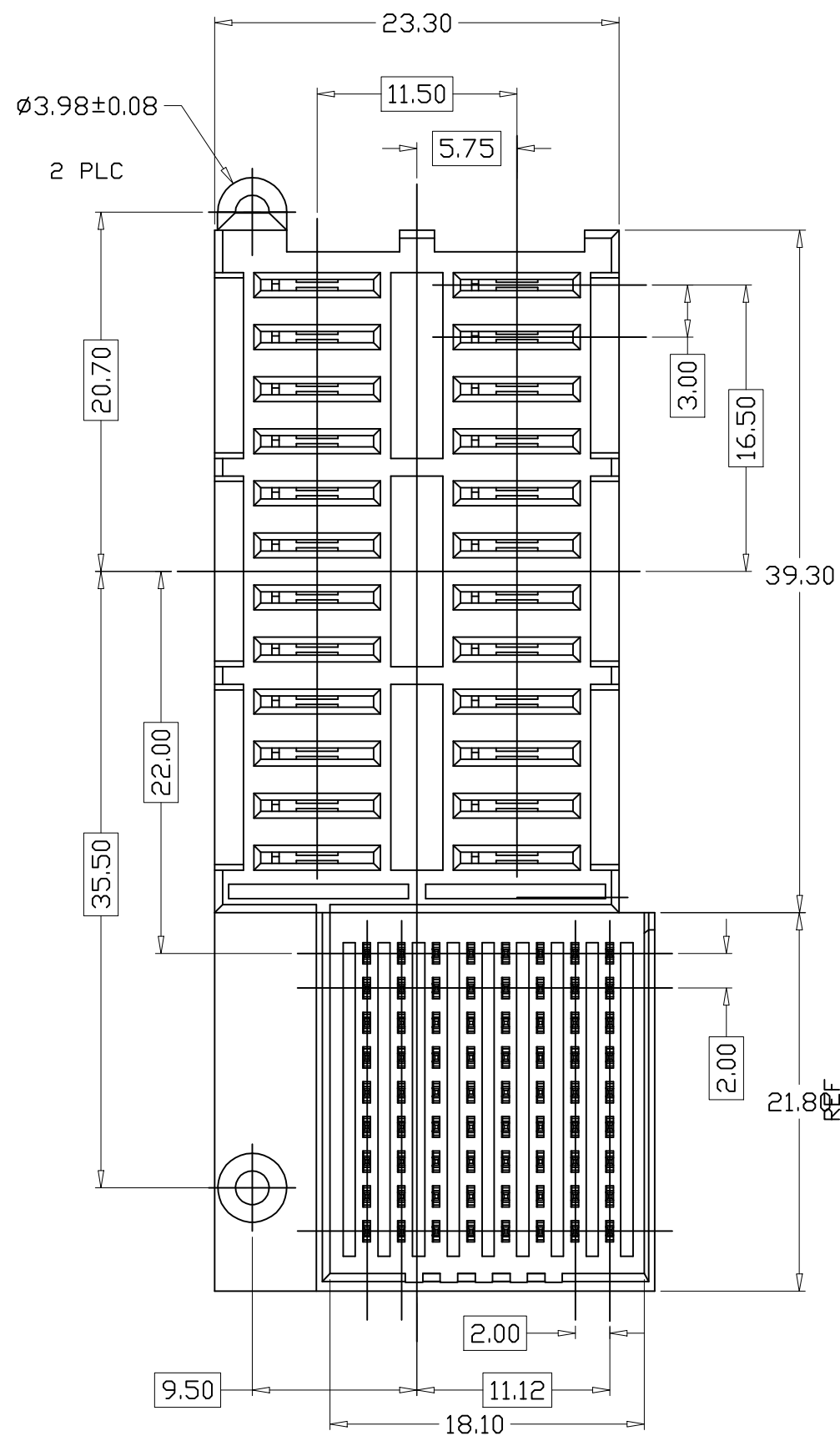
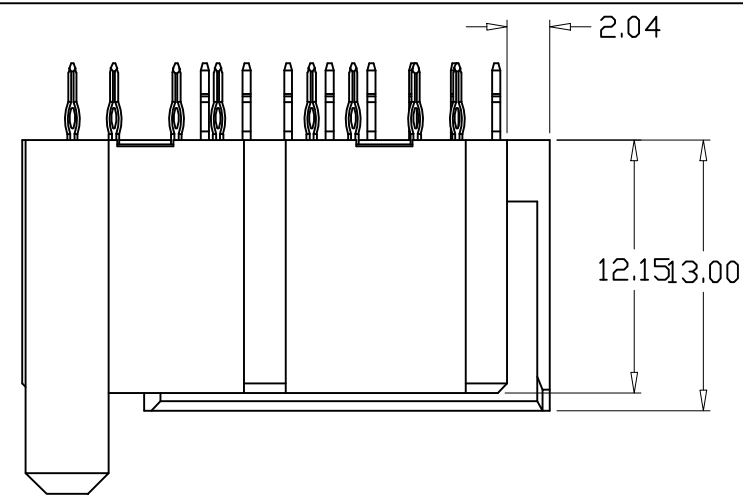
Address: A1208, Overseas Decoration Building, #122 Zhenhua RD., Futian, Shenzhen, China



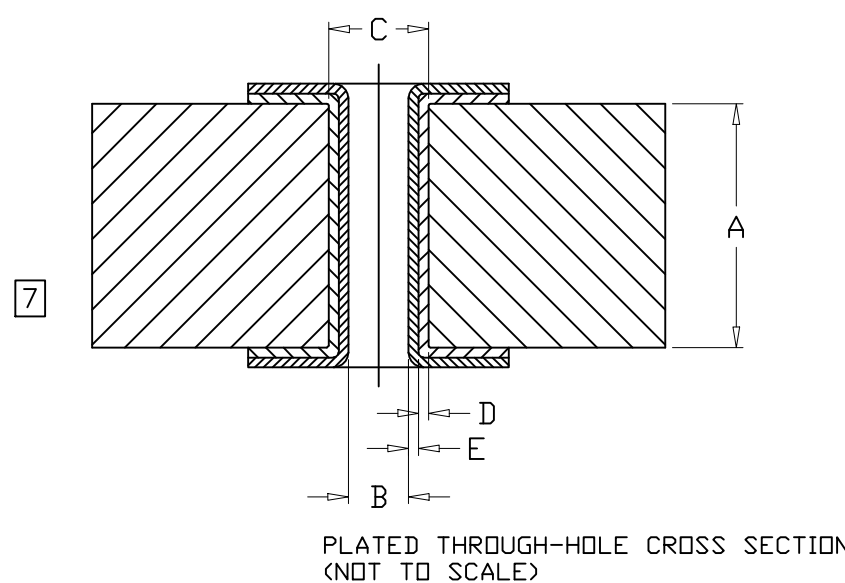
3M™ BACKPLANE HEADER AND POWER FEMALE MODULE FOR MicroTCA APPLICATIONS

NOTES:

- MATERIALS**
 - A. HOUSING: THERMOPLASTIC POLYESTER, GLASS FILLED RATED UL 94V-0, COLOR: GRAY
 - B. CONTACT: COPPER ALLOY, GOLD PLATING
- PLATING**
 - AS:
 - FINISH: MATING AREA- 0.76um Au
 - COMPLIANT PIN AREA-1.27um MIN MATTE Sn
 - 1.27um MIN Ni ALL OVER
- RATINGS**
 - A. VOLTAGE(TEST VOLTAGE): 80V r.m.s.
 - B. CURRENT RATING: SIGNAL AND SIGNAL GND CONDUCTOR 0.625A/PIN
POWER BRANCH GND CONDUCTOR 11.625 A/PIN
 - C. MAXIMUM LINE RESISTANCES: SIGNAL AND SIGNAL GND CONDUCTOR 25 MILLI OHMS
POWER BRANCH GND CONDUCTOR 5 MILLI OHMS
- ENGAGING FORCE: 145N MAX;
SEPARATING FORCE: 110N MAX.
- DURABILITY: 200 MATING CYCLES
- FOR PRODUCT SPECIFICATION AND WARRANTY INFORMATION SEE 78-5102-0084-9
- PCB HOLE DIMENSIONS
- SEE THE REGULATORY INFORMATION APPENDIX (RIA) IN THE "RoHS COMPLIANCE" SECTION OF: WWW.3MCONNECTOR.COM FOR COMPLIANCE INFORMATION (RIA E1 & C1 APPLY).
- REFERENCE DOCUMENT 78-9101-3345-9
- IN THE EVENT OF CONFLICT BETWEEN THIS DATA AND THAT CONTAINED IN THE PRODUCT SPEC., THE PRODUCT SPEC. TAKES PRECEDENT.
- PART NUMBER: 1P02-1110-AS
- FOR MATING PRODUCT USE:
1P01-11X0-XX MicroTCA RIGHT ANGLE SOCKET AND POWER MALE MODULE



HOLE PLATING TABLE		Dimension
A	PCB Thickness	Min. 1.4mm
B	Plated Through Hole Dia.	0.60 +/- 0.05mm
C	Drill Hole Diameter	0.70 +/- 0.02mm
D	Cu Thickness	Min. 25µm
E	Plating Thickness	Min. 0.5µm Immersion Sn



DESIGN REFERENCE	NEXT ASSEMBLY	B	33179	REMOVED-HM PLATING AND 2.25mm CONTACT OPTIONS	ML	TS
REV	ECO	DRFT	ML	DATE 10/05/10	MFG	DATE
DISTRIBUTION CODES		CHKD	TS	DATE 10/05/10	APPL	AM
DIVISION	DIVISION CODE			© 3M COPYRIGHT This document is the copyrighted property of the 3M Company and may not be reproduced without 3M written permission or used for other than 3M authorized purposes.		
DO NOT SCALE DRAWING	SCALE	TOLERANCES EXCEPT AS NOTED	INCHES .0 ± * .00 ± * .000 ± * .0000 ± *			
THIRD ANGLE PROJECTION	INTERPRET PER ASME Y14.5 - 1994	MILLIMETERS	0 ± * .0 ± 0.3 .00 ± 0.20 .000 ± 0.100			
MAX SURFACE ROUGHNESS	<input type="checkbox"/> ALL SURFACES <input checked="" type="checkbox"/> MARKED ONLY	ANGLES ± 1°	CAGE NUMBER	SIZE	DRAWING NO.	REV.
			C	C	78-5100-2366-2	B
			MODEL	DET. LISTS	<input type="checkbox"/> YES <input type="checkbox"/> NO	SHT 1 OF 1