



Chipsmall Limited consists of a professional team with an average of over 10 year of expertise in the distribution of electronic components. Based in Hongkong, we have already established firm and mutual-benefit business relationships with customers from,Europe,America and south Asia,supplying obsolete and hard-to-find components to meet their specific needs.

With the principle of “Quality Parts,Customers Priority,Honest Operation,and Considerate Service”,our business mainly focus on the distribution of electronic components. Line cards we deal with include Microchip,ALPS,ROHM,Xilinx,Pulse,ON,Everlight and Freescale. Main products comprise IC,Modules,Potentiometer,IC Socket,Relay,Connector.Our parts cover such applications as commercial,industrial, and automotives areas.

We are looking forward to setting up business relationship with you and hope to provide you with the best service and solution. Let us make a better world for our industry!



Contact us

Tel: +86-755-8981 8866 Fax: +86-755-8427 6832

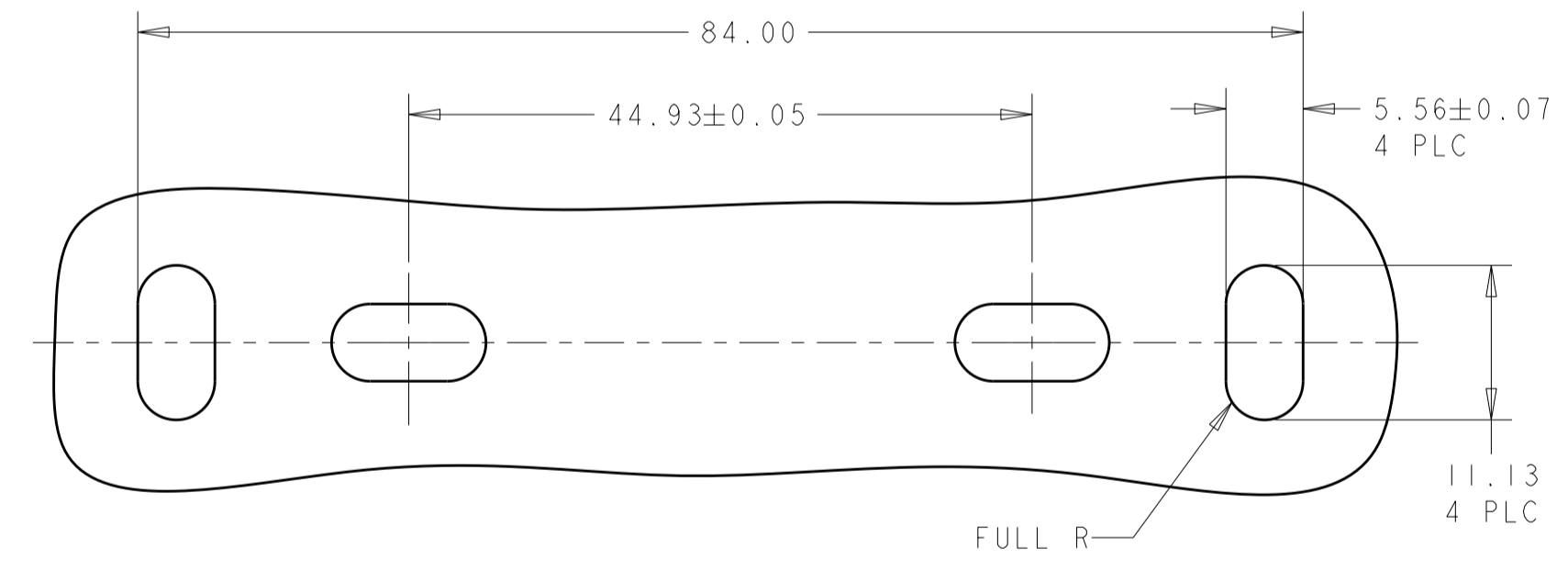
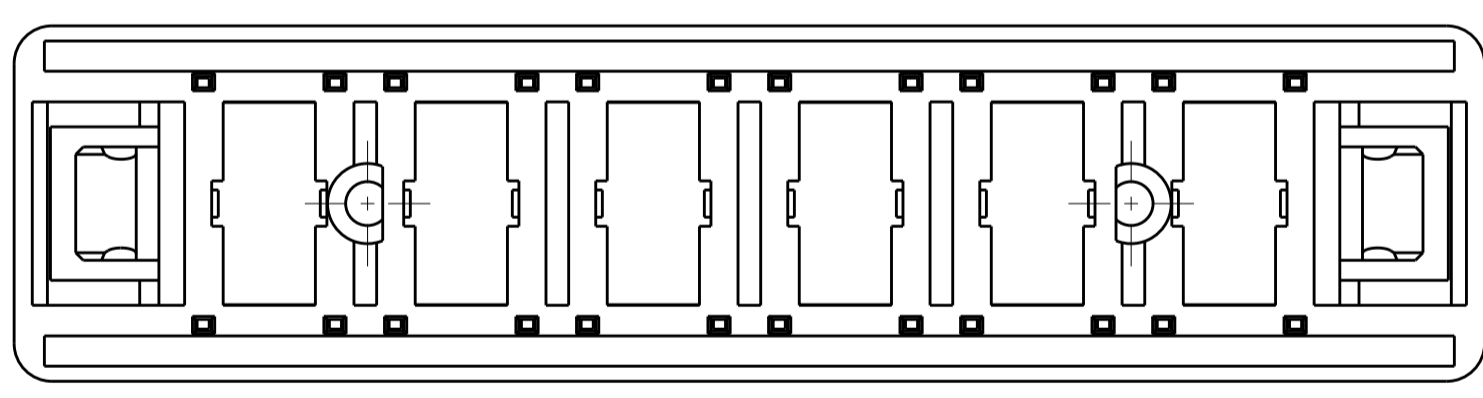
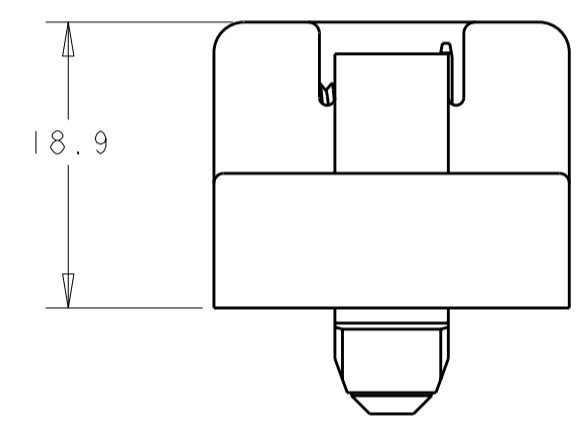
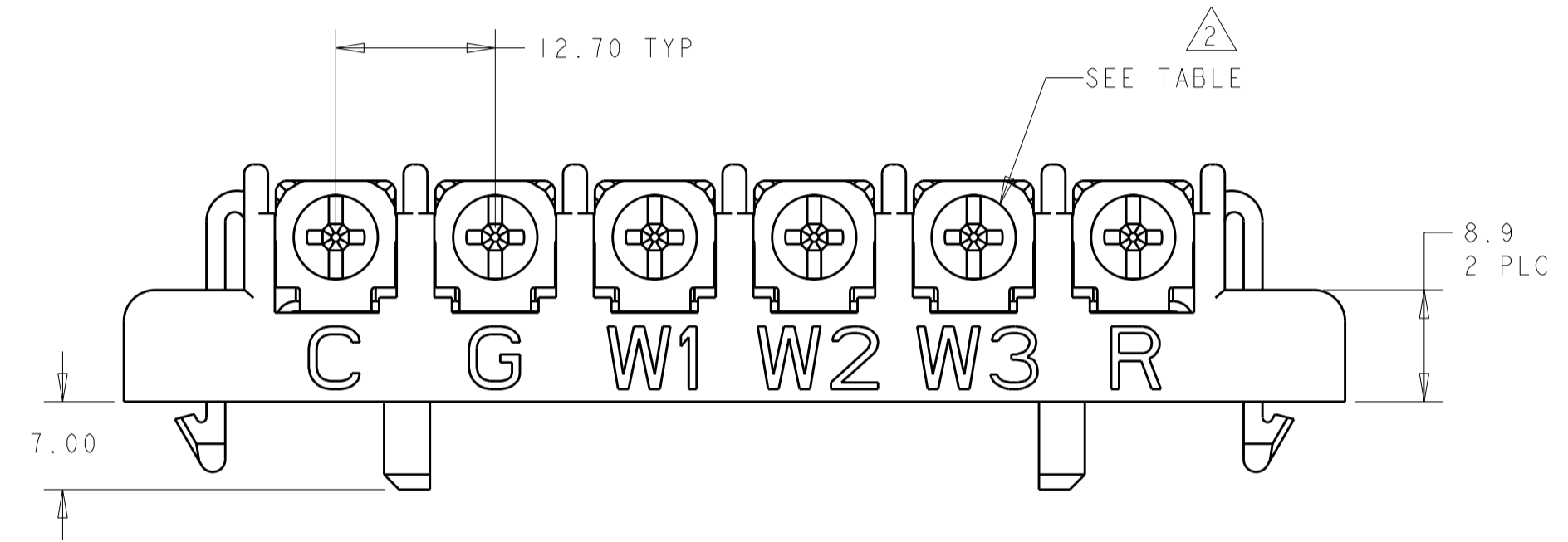
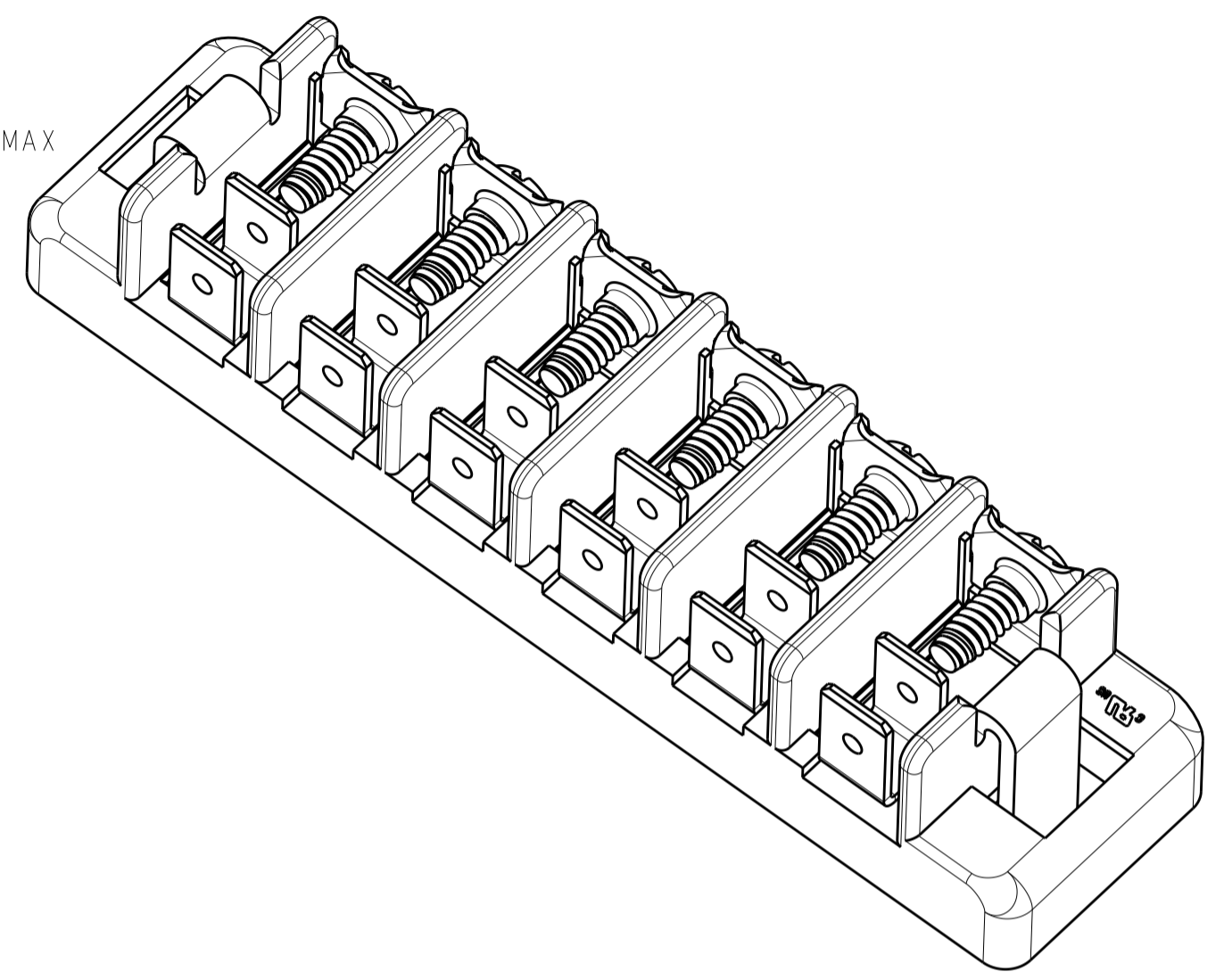
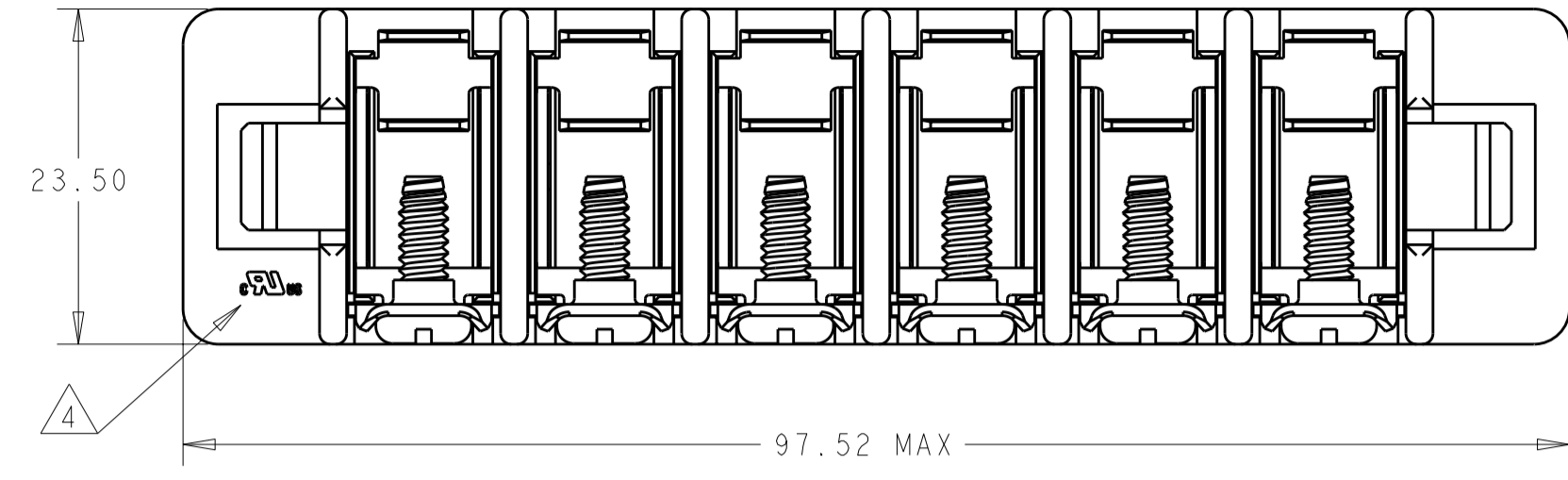
Email & Skype: info@chipsmall.com Web: www.chipsmall.com

Address: A1208, Overseas Decoration Building, #122 Zhenhua RD., Futian, Shenzhen, China

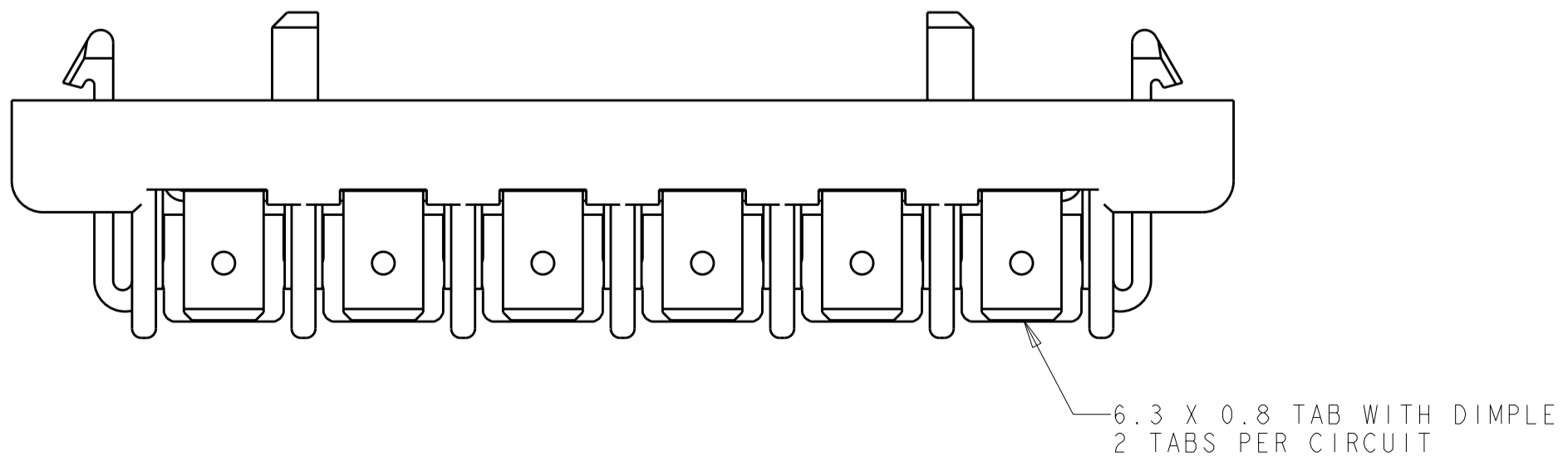


REVISIONS					
P	LTR	DESCRIPTION	DATE	DWN	APVD
A2		REVISED PER ECO-10-011897	09JUN2010	HMR	CR

- 1 MATERIAL: HOUSING: HIGH TEMP NYLON
 COLOR: BLACK
 CONTACT: BRASS
 SCREW: STEEL, ZINC PLATED
- 2 RECOMMENDED TIGHTENING TORQUE: 12 IN-LB
- 3 PANEL BURR SIDE TO BE OPPOSITE OF CONNECTOR MOUNTING SURFACE
- 4 UL AND CSA APPROVED, FILE E60677.
- 5 RECOMMENDED TIGHTENING TORQUE: 20 IN-LB MAX
- 6 PRELIMINARY PART



RECOMMENDED PANEL CUTOUT
 PANEL THICKNESS: 0.86 - 1.06
 SCALE 2:1



5	8-32	6	1-1811495-6
2	6-32 BINDING		1811495-6
	SCREW TYPE		PART NO

<small>THIS DRAWING IS A CONTROLLED DOCUMENT FOR TYCO ELECTRONICS CORPORATION. IT IS SUBJECT TO CHANGE AND THE CONTROLLING ENGINEERING ORGANIZATION SHOULD BE CONTACTED FOR THE LATEST REVISION.</small>		DWN: 08NOV2004 W.G. LENKER CHK: 08NOV04 S. DUESTERHOEFF APVD: -	Tyco Electronics Harrisburg, PA 17105-3608
DIMENSIONS: mm 	TOLERANCES UNLESS OTHERWISE SPECIFIED: 0 PLC ± 1 PLC ±0.2 2 PLC ±0.15 3 PLC ± 4 PLC ± ANGLES ±5° FINISH	PRODUCT SPEC APPLICATION SPEC WEIGHT CUSTOMER DRAWING	NAME: TERMINAL STRIP 6 POSITION SIZE: A200779 CAGE CODE: C-1811495 DRAWING NO: 1811495 RESTRICTED TO: - SCALE: 2:1 SHEET 1 OF 1 REV A2