



Chipsmall Limited consists of a professional team with an average of over 10 year of expertise in the distribution of electronic components. Based in Hongkong, we have already established firm and mutual-benefit business relationships with customers from,Europe,America and south Asia,supplying obsolete and hard-to-find components to meet their specific needs.

With the principle of “Quality Parts,Customers Priority,Honest Operation,and Considerate Service”,our business mainly focus on the distribution of electronic components. Line cards we deal with include Microchip,ALPS,ROHM,Xilinx,Pulse,ON,Everlight and Freescale. Main products comprise IC,Modules,Potentiometer,IC Socket,Relay,Connector.Our parts cover such applications as commercial,industrial, and automotives areas.

We are looking forward to setting up business relationship with you and hope to provide you with the best service and solution. Let us make a better world for our industry!



## Contact us

Tel: +86-755-8981 8866 Fax: +86-755-8427 6832

Email & Skype: info@chipsmall.com Web: www.chipsmall.com

Address: A1208, Overseas Decoration Building, #122 Zhenhua RD., Futian, Shenzhen, China



DO NOT SCALE

DIMENSIONS IN mm

METRIC

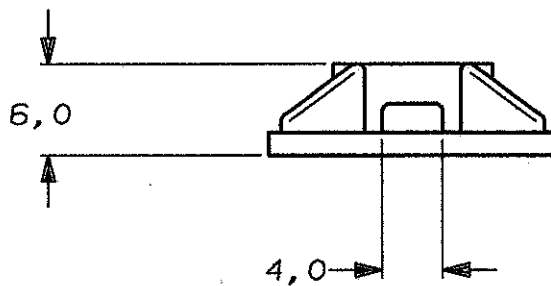
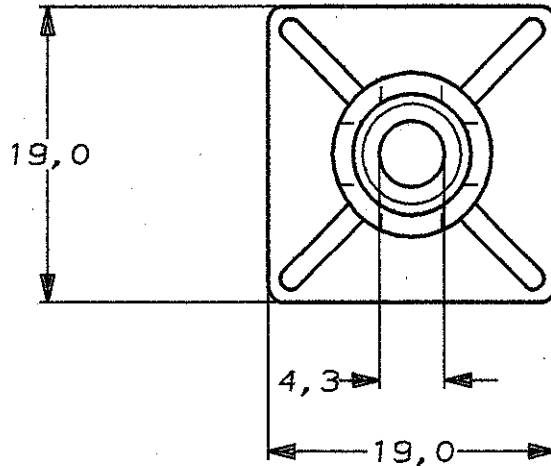
THIRD ANGLE

PROJECTION



NOTES:

- 1 MAX. CABLE TIE WIDTH 3,6.
- 2 TENSILE STRENGTH 415 kPa
- 3 APPL. TEMP. RANGE +10 - +38°C.



BLACK	POLYAMIDE 6/6	2-100693-2	100
NATURAL	POLYAMIDE 6/6	2-100693-1	100
FINISH	MATERIAL	PARTNUMBER	QTY

-	-	-	-	-
-	-	-	-	-
-	-	-	-	-
-	-	-	-	-
-	-	-	-	-
0	H-9856	JvdH	RV	09-06-92
LTR.	REVISION RECORD	DR.	CHK.	DATE

**CUSTOMER DRAWING** FOR REFERENCE ONLY  
WILL NOT BE UPDATED

© COPYRIGHT 19- BY AMP HOLLAND B.V.  
ALL INTERNATIONAL RIGHTS RESERVED. AMP PRODUCTS MAY BE  
COVERED BY U.S. AND FOREIGN AND/OR PATENTS PENDING.

THIS DRAWING IS UNPUBLISHED  
RELEASED FOR PUBLICATION \_\_\_\_\_, 19\_\_\_\_

**AMP** | AMP HOLLAND B.V.  
's-Hertogenbosch,  
The Netherlands.

NAME  
**MOUNTING BASE.**

DR.: J.V.D.HEIJDEN.	CHK.: R.VOS.	APP.: L.V.SOEST.	DWG.No.	REV.LTR.	SHEET
DATE: 09-06-92	DATE: -	DATE: -	C-100693	0	1 OF 1