



Chipsmall Limited consists of a professional team with an average of over 10 year of expertise in the distribution of electronic components. Based in Hongkong, we have already established firm and mutual-benefit business relationships with customers from,Europe,America and south Asia,supplying obsolete and hard-to-find components to meet their specific needs.

With the principle of “Quality Parts,Customers Priority,Honest Operation,and Considerate Service”,our business mainly focus on the distribution of electronic components. Line cards we deal with include Microchip,ALPS,ROHM,Xilinx,Pulse,ON,Everlight and Freescale. Main products comprise IC,Modules,Potentiometer,IC Socket,Relay,Connector.Our parts cover such applications as commercial,industrial, and automotives areas.

We are looking forward to setting up business relationship with you and hope to provide you with the best service and solution. Let us make a better world for our industry!



Contact us

Tel: +86-755-8981 8866 Fax: +86-755-8427 6832


Email & Skype: info@chipsmall.com Web: www.chipsmall.com

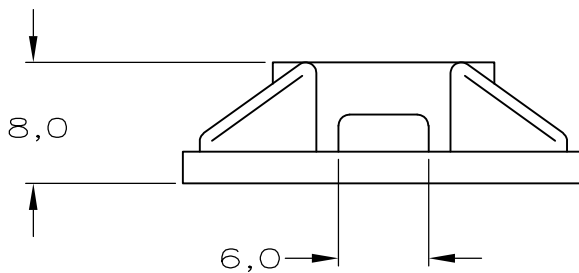
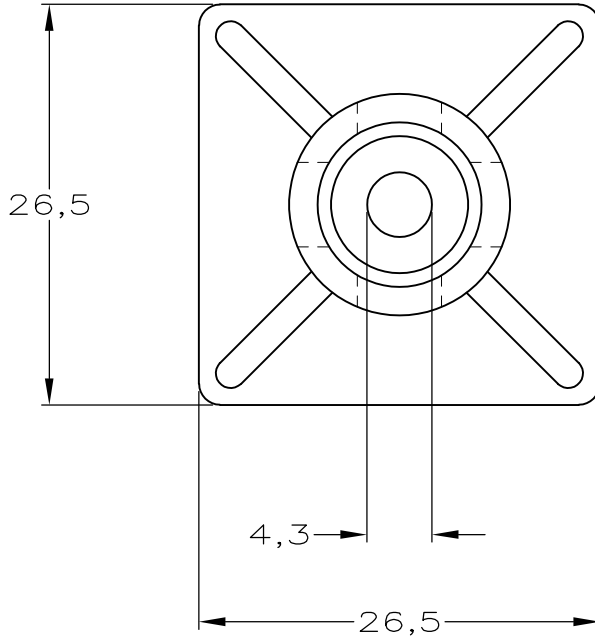
Address: A1208, Overseas Decoration Building, #122 Zhenhua RD., Futian, Shenzhen, China



LOC	DIST	REVISIONS					
		P	LTR	DESCRIPTION	DATE	DWN	APVD
—	—		0	H-9856	14-08-92	R.D.	RV
			01	ECR-10-026542	04JAN11	KK	HMR

NOTES:

- 1 MAX. CABLE TIE WIDTH 4,8.
- 2 TENSILE STRENGTH 210 kPa
- 3 APPL. TEMP. RANGE +5 - +50° C.
- 4  OBSOLETE





BLACK	POLYAMIDE 6/6	 2-100734-2	100
NATURAL	POLYAMIDE 6/6	2-100734-1	100
FINISH	MATERIAL	PARTNUMBER	QTY

RELEASED FOR PUBLICATION

ALL RIGHTS RESERVED.

THIS DRAWING IS UNPUBLISHED.

© COPYRIGHT - By -

DIMENSIONS: mm	DWN	R.DAAMEN	14-08-92	MATERIAL	-	FINISH	-	
	CHK	R.VOS.	-	 TE Connectivity				
TOLERANCES UNLESS OTHERWISE SPECIFIED:	APVD	L.V.SOEST.	-					NAME
0 PLC ± -	PRODUCT SPEC	-	MOUNTING BASE.				RESTRICTED TO	
1 PLC ± -	APPLICATION SPEC	-	SIZE	CAGE CODE	DRAWING NO	-		
2 PLC ± -	WEIGHT	-	A4	00779	 100734	-		
3 PLC ± -	CUSTOMER DRAWING		SCALE	-	SHEET	1 OF 1	REV 01	
4 PLC ± -								
ANGLES ± -								

