



Chipsmall Limited consists of a professional team with an average of over 10 year of expertise in the distribution of electronic components. Based in Hongkong, we have already established firm and mutual-benefit business relationships with customers from,Europe,America and south Asia,supplying obsolete and hard-to-find components to meet their specific needs.

With the principle of “Quality Parts,Customers Priority,Honest Operation,and Considerate Service”,our business mainly focus on the distribution of electronic components. Line cards we deal with include Microchip,ALPS,ROHM,Xilinx,Pulse,ON,Everlight and Freescale. Main products comprise IC,Modules,Potentiometer,IC Socket,Relay,Connector.Our parts cover such applications as commercial,industrial, and automotives areas.

We are looking forward to setting up business relationship with you and hope to provide you with the best service and solution. Let us make a better world for our industry!



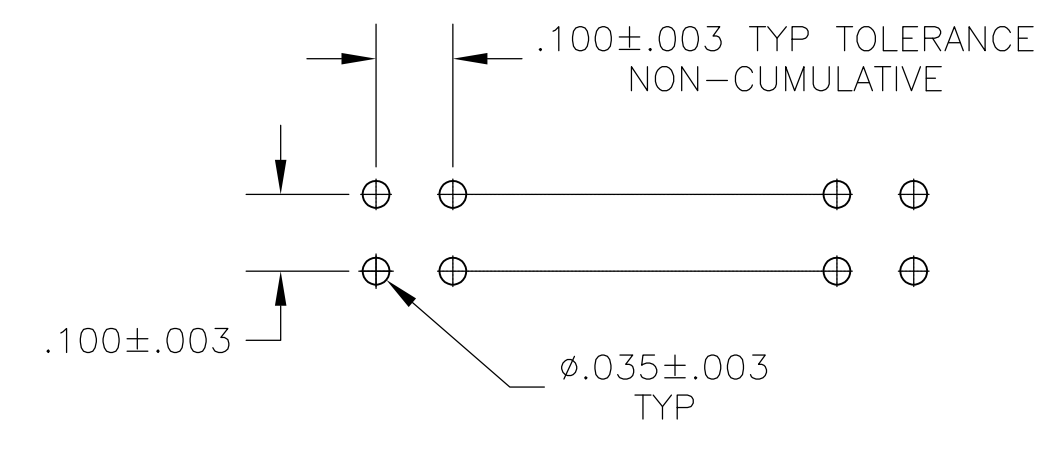
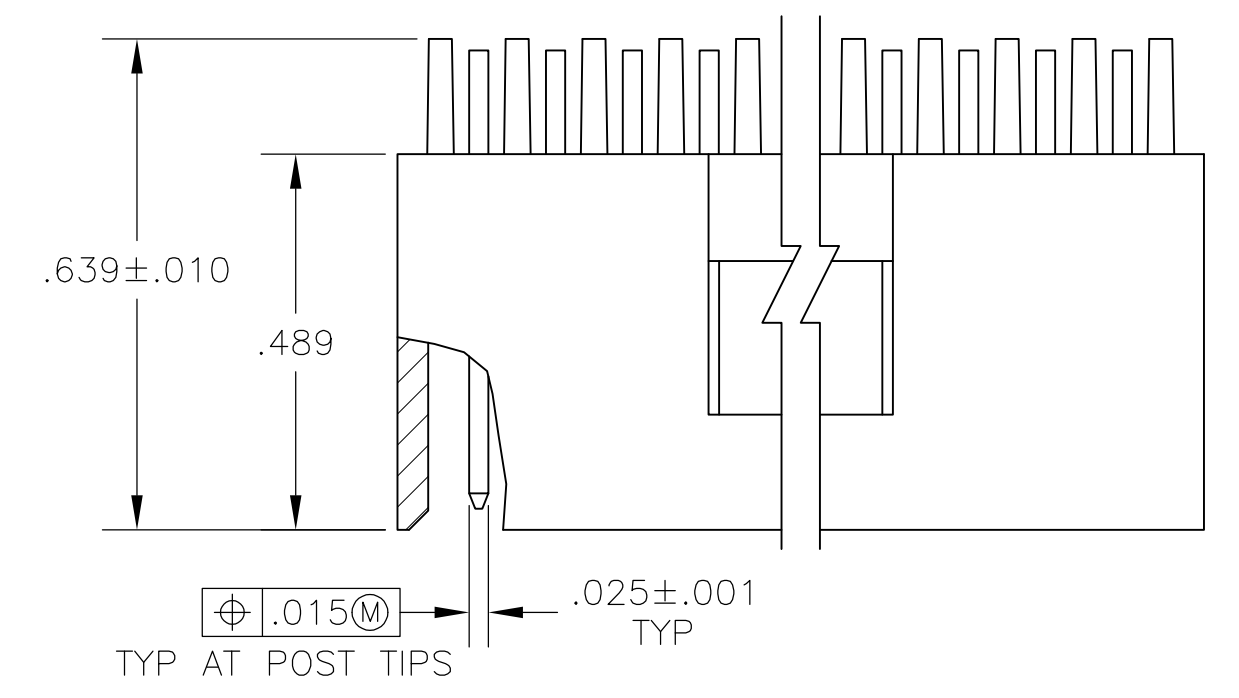
## Contact us

Tel: +86-755-8981 8866 Fax: +86-755-8427 6832

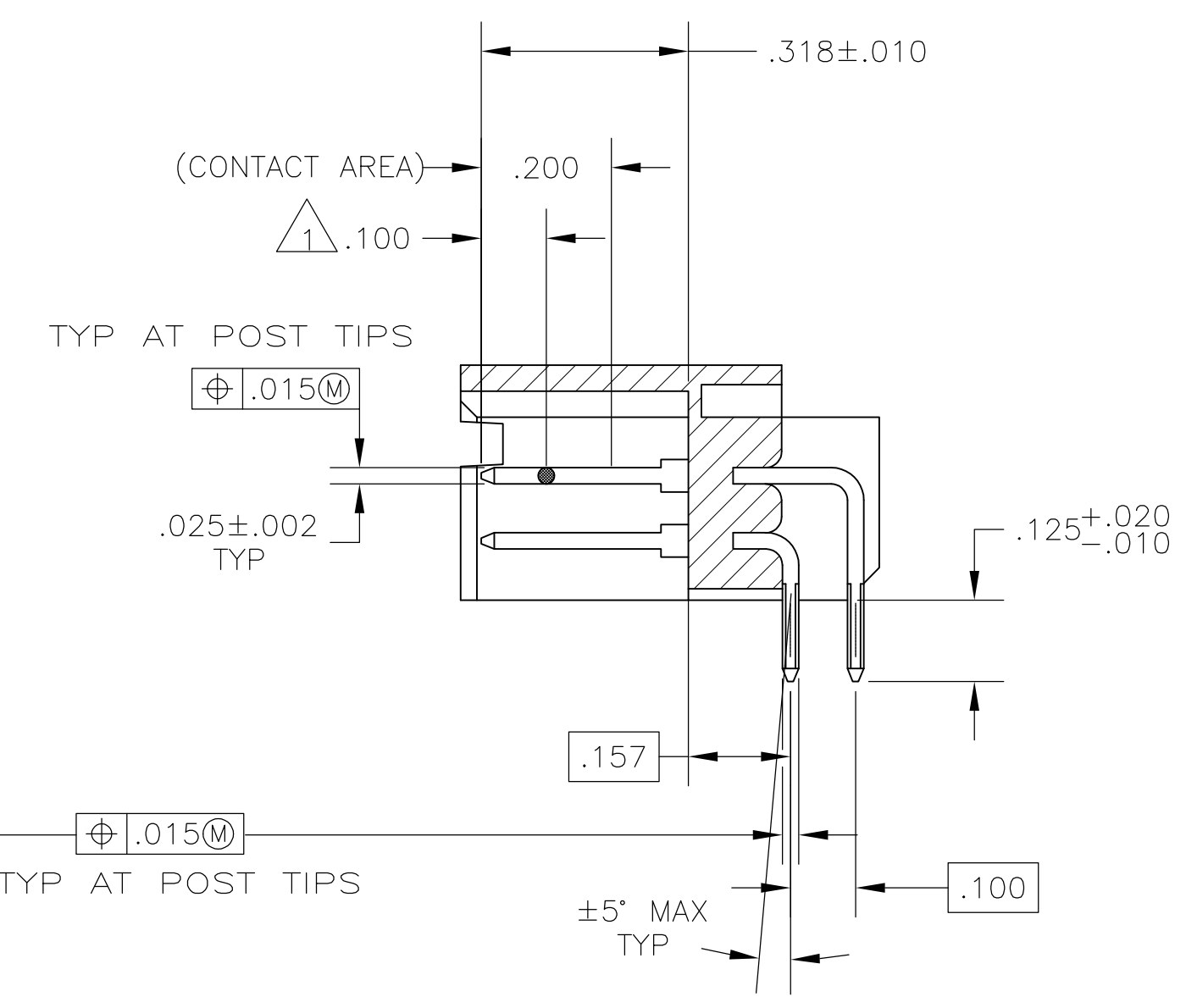
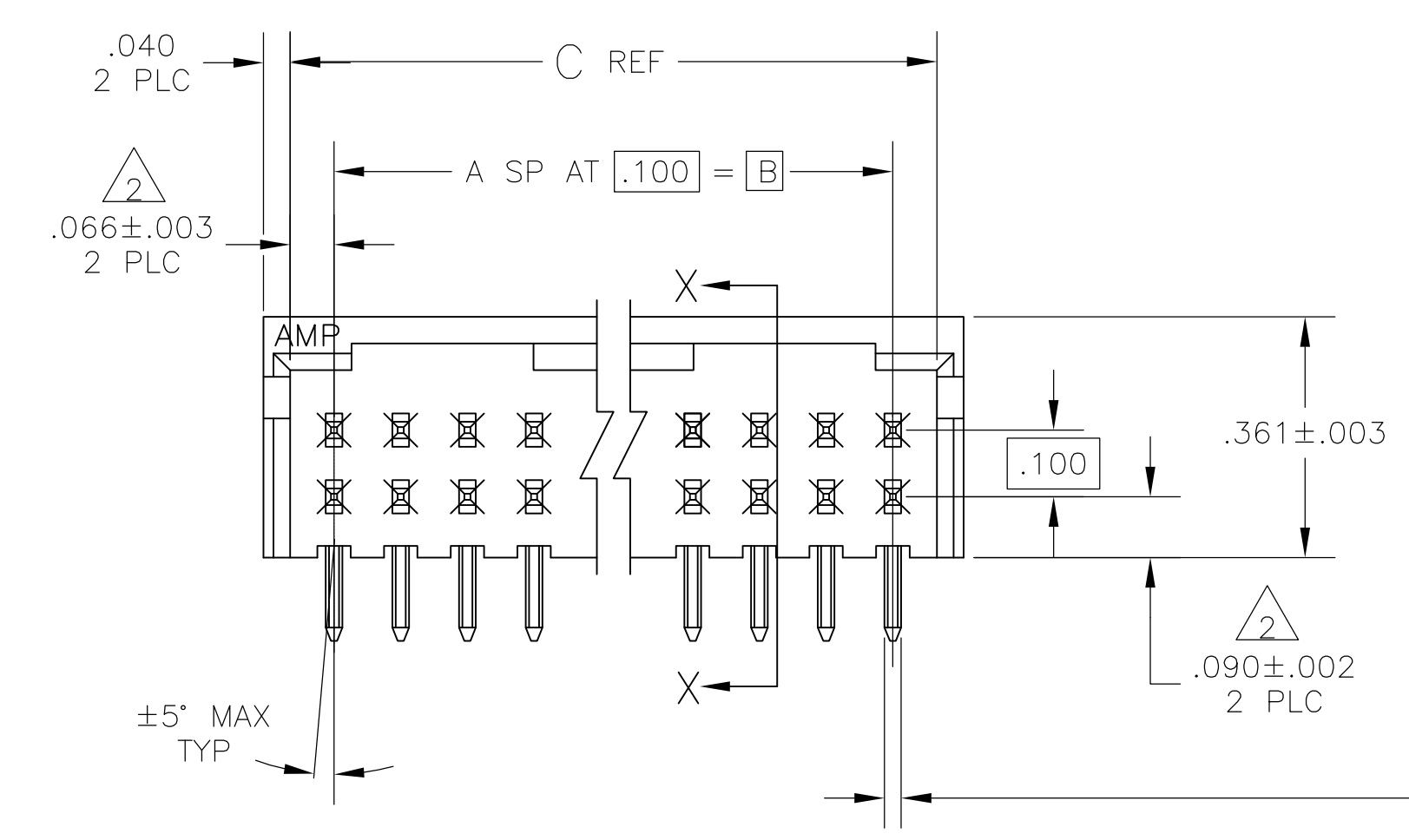
Email & Skype: info@chipsmall.com Web: www.chipsmall.com

Address: A1208, Overseas Decoration Building, #122 Zhenhua RD., Futian, Shenzhen, China





RECOMMENDED HOLE LAYOUT



SECTION X-X

- 1 POINT OF MEASUREMENT FOR PLATING THICKNESS.
- 2 THE NOTED DIMENSION APPLIES AT THE INTERSECTION OF THE POST AND HOUSING
- 3 .000030 GOLD IN CONTACT AREA, .000100-.000200 MATTE TIN-LEAD ON SOLDER TAIL, ALL OVER .000050 NICKEL
- 4 .000030 GOLD IN CONTACT AREA, .000100-.000200 MATTE TIN ON SOLDER TAIL, ALL OVER .000050 NICKEL
- 5 OBSOLETE PARTS: OBSOLETE CIS STREAMLINING PER D.RENAUD/D.SINISI

OBSOLETE	4	3.032	2.900	29	60	7-103164-8
OBSOLETE	4	2.632	2.500	25	52	7-103164-4
OBSOLETE	4	2.532	2.400	24	50	7-103164-3
OBSOLETE	4	2.032	1.900	19	40	6-103164-8
OBSOLETE	4	1.732	1.600	16	34	6-103164-5
OBSOLETE	4	1.532	1.400	14	30	6-103164-3
OBSOLETE	4	1.332	1.200	12	26	6-103164-1
OBSOLETE	4	1.232	1.100	11	24	6-103164-0
OBSOLETE	4	1.032	.900	9	20	5-103164-8
OBSOLETE	4	.932	.800	8	18	5-103164-7
OBSOLETE	4	.832	.700	7	16	5-103164-6
OBSOLETE	4	.732	.600	6	14	5-103164-5
OBSOLETE	4	.632	.500	5	12	5-103164-4
OBSOLETE	4	.532	.400	4	10	5-103164-3
OBSOLETE	4	.432	.300	3	8	5-103164-2
OBSOLETE	4	.332	.200	2	6	5-103164-1
OBSOLETE	3	3.732	3.600	36	74	3-103164-5
OBSOLETE	3	3.632	3.500	35	72	3-103164-4
OBSOLETE	3	3.532	3.400	34	70	3-103164-3
OBSOLETE	3	3.432	3.300	33	68	3-103164-2
OBSOLETE	3	3.332	3.200	32	66	3-103164-1
OBSOLETE	3	3.232	3.100	31	64	3-103164-0
OBSOLETE	3	3.132	3.000	30	62	2-103164-9
OBSOLETE	3	3.032	2.900	29	60	2-103164-8
OBSOLETE	3	2.932	2.800	28	58	2-103164-7
OBSOLETE	3	2.832	2.700	27	56	2-103164-6
OBSOLETE	3	2.732	2.600	26	54	2-103164-5
OBSOLETE	3	2.632	2.500	25	52	2-103164-4
OBSOLETE	3	2.532	2.400	24	50	2-103164-3
OBSOLETE	3	2.432	2.300	23	48	2-103164-2
OBSOLETE	3	2.332	2.200	22	46	2-103164-1
OBSOLETE	3	2.232	2.100	21	44	2-103164-0
OBSOLETE	3	2.132	2.000	20	42	1-103164-9
OBSOLETE	3	2.032	1.900	19	40	1-103164-8
OBSOLETE	3	1.932	1.800	18	38	1-103164-7
OBSOLETE	3	1.832	1.700	17	36	1-103164-6
OBSOLETE	3	1.732	1.600	16	34	1-103164-5
OBSOLETE	3	1.632	1.500	15	32	1-103164-4
OBSOLETE	3	1.532	1.400	14	30	1-103164-3
OBSOLETE	3	1.432	1.300	13	28	1-103164-2
OBSOLETE	3	1.332	1.200	12	26	1-103164-1
OBSOLETE	3	1.232	1.100	11	24	1-103164-0
OBSOLETE	3	1.132	1.000	10	22	103164-9
OBSOLETE	3	1.032	.900	9	20	103164-8
OBSOLETE	3	.932	.800	8	18	103164-7
OBSOLETE	3	.832	.700	7	16	103164-6
OBSOLETE	3	.732	.600	6	14	103164-5
OBSOLETE	3	.632	.500	5	12	103164-4
OBSOLETE	3	.532	.400	4	10	103164-3
OBSOLETE	3	.432	.300	3	8	103164-2
OBSOLETE	3	.332	.200	2	6	103164-1

5 SUPERSEDED BY 5-103164-7

PLATING	C	B	A	NO OF POSN	PART NUMBER
---------	---	---	---	------------	-------------

THIS DRAWING IS A CONTROLLED DOCUMENT.

DIMENSIONS: INCHES

TOLERANCES UNLESS OTHERWISE SPECIFIED:

0 PLC	± .005
1 PLC	± .005
2 PLC	± .005
3 PLC	± .005
4 PLC	± .005
ANGLES	± .005

MATERIAL: HOUSING: PHOSPHOR BRONZE; PLATING: SEE TABLE

FINISH: SEE TABLE

WEIGHT: --

APPROVED: J. KNITTLE

DATE: 16MAR95

NAME: HEADER ASSY, MOD II, DBL ROW, .100X.100 C/L, RIGHT ANGLE, (3) SIDED SHROUD

SIZE: A1

SCALE: 4:1

SHEET: 1 OF 1

REV: H2

CUSTOMER DRAWING

STE TE Connectivity