



Chipsmall Limited consists of a professional team with an average of over 10 year of expertise in the distribution of electronic components. Based in Hongkong, we have already established firm and mutual-benefit business relationships with customers from,Europe,America and south Asia,supplying obsolete and hard-to-find components to meet their specific needs.

With the principle of “Quality Parts,Customers Priority,Honest Operation,and Considerate Service”,our business mainly focus on the distribution of electronic components. Line cards we deal with include Microchip,ALPS,ROHM,Xilinx,Pulse,ON,Everlight and Freescale. Main products comprise IC,Modules,Potentiometer,IC Socket,Relay,Connector.Our parts cover such applications as commercial,industrial, and automotives areas.

We are looking forward to setting up business relationship with you and hope to provide you with the best service and solution. Let us make a better world for our industry!



Contact us

Tel: +86-755-8981 8866 Fax: +86-755-8427 6832

Email & Skype: info@chipsmall.com Web: www.chipsmall.com

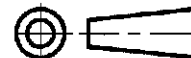
Address: A1208, Overseas Decoration Building, #122 Zhenhua RD., Futian, Shenzhen, China



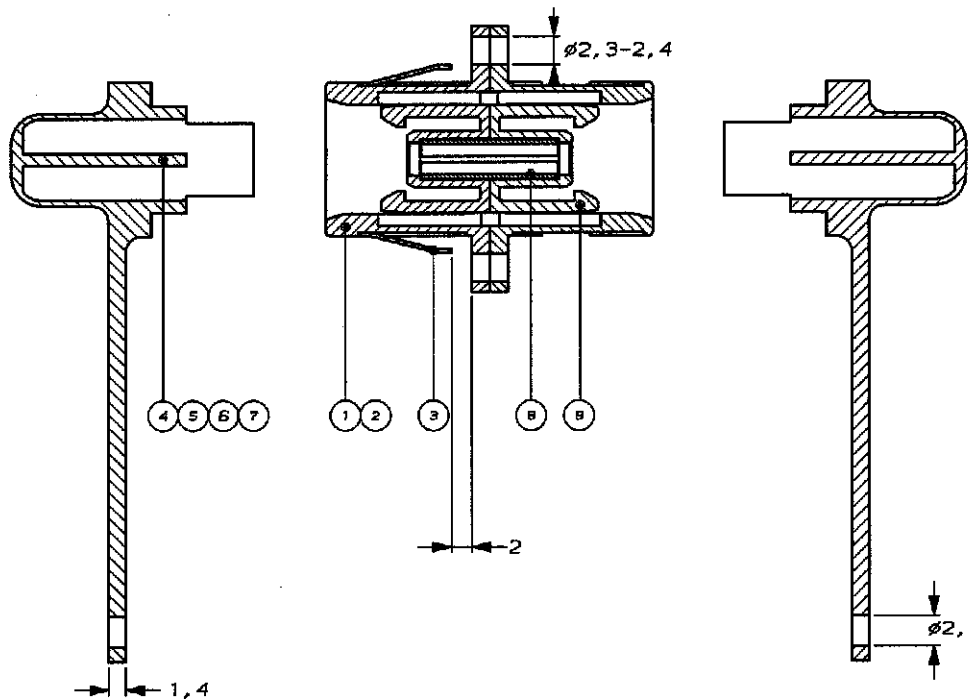
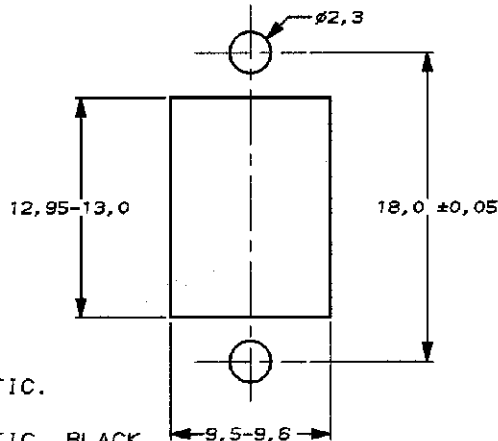
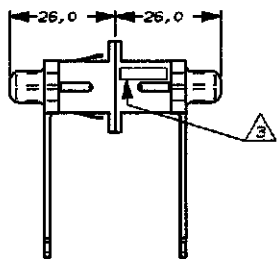
DO NOT SCALE
DIMENSIONS IN mm

METRIC

THIRD ANGLE
PROJECTION



FRONTPLATTEN AUSSCHNITT



NOTES:

- ⚠ MATERIAL:
RECEPTACLE HOUSING: THERMOPLASTIC.
CONNECTOR RETAINER: THERMOPLASTIC, BLACK.
SPLIT SLEEVE: ZrO2.
DUST COVER: THERMOPLASTIC ELASTOMER.

⚠ RESTRICTED PARTNUMBER

⚠ P.N. 2-106901-7 PRINTED WITH FACTORY ORDER NUMBER

2	2	2	2	2	2	2	2	2	2	2	2	2	2	2	2	2	2	2	2	2	2	2	-	CONNECTOR RETAINER	9
1	1	1	1	1	1	1	1	1	1	1	1	1	1	1	1	1	1	1	1	1	1	1	-	SPLIT SLEEVE	8
2	-	-	-	2	-	1	1	-	-	-	-	-	2	2	-	-	-	-	-	-	-	-	-	DUST COVER, NO STRAP, BLUE	7
-	-	-	-	-	-	-	1	1	-	-	-	-	2	2	-	-	-	-	-	-	-	-	-	DUST COVER, STRAP TYPE, BLUE	6
-	2	2	-	-	-	-	-	1	1	-	-	-	-	-	-	2	2	-	-	-	-	-	-	DUST COVER, NO STRAP, GREEN	5
-	-	-	2	-	2	-	-	-	-	-	1	1	-	-	-	-	-	2	2	-	-	-	-	DUST COVER, STRAP TYPE, GREEN	4
1	1	1	1	1	1	1	1	-	1	-	1	-	1	-	1	-	1	-	1	-	1	-	-	RETENTION CLIP	3
2	-	-	-	2	-	2	2	2	-	-	-	2	2	2	2	2	2	-	-	-	-	-	-	RECEPTACLE HOUSING, BLUE	2
-	2	2	2	-	2	-	-	-	2	2	2	2	-	-	-	-	2	2	2	2	2	2	-	RECEPTACLE HOUSING, GREEN	1

QTY	QTY	QTY	QTY	QTY	QTY	QTY	QTY	QTY	QTY	QTY	QTY	QTY	QTY	QTY	QTY	QTY	QTY	QTY	QTY	QTY	QTY	PART No.	DESCRIPTION	ITEM No.		
2	2	2	2	2	2	2	2	2	2	2	2	2	2	2	2	2	2	2	2	2	2	M	EH-0951-96	CUSTOMER DRAWING	9	
1	1	1	1	1	1	1	1	1	1	1	1	1	1	1	1	1	1	1	1	1	1	L	EH-0817-96	FOR REFERENCE ONLY WILL NOT BE UPDATED	8	
2	-	-	-	2	-	1	1	-	-	-	-	-	2	2	-	-	-	-	-	-	-	K	EH-1333-95	© COPYRIGHT 19- BY AMP-HOLLAND B.V. ALL INTERNATIONAL RIGHTS RESERVED. AMP PRODUCTS MAY BE COVERED BY U.S. AND FOREIGN AND/OR PATENTS PENDING. THIS DRAWING IS UNPUBLISHED RELEASED FOR PUBLICATION	7	
-	-	-	-	-	-	-	1	1	-	-	-	-	2	2	-	-	-	-	-	-	-	J	EH-0676-95	THIS DRAWING IS UNPUBLISHED RELEASED FOR PUBLICATION	6	
-	2	2	-	-	-	-	-	-	1	1	-	-	-	-	-	-	2	2	-	-	-	H	EH-0606-95	THIS DRAWING IS UNPUBLISHED RELEASED FOR PUBLICATION	5	
-	-	-	2	-	2	-	-	-	-	-	1	1	-	-	-	-	-	2	2	-	-	G	EH-0674-94	THIS DRAWING IS UNPUBLISHED RELEASED FOR PUBLICATION	4	
1	1	1	1	1	1	1	1	-	1	-	1	-	1	-	1	-	1	-	1	-	1	F	-	RELEASED FOR PUBLICATION	3	
2	-	-	-	2	-	2	2	2	-	-	-	2	2	2	2	2	2	2	2	-	-	-	G	EH-0674-94	RELEASED FOR PUBLICATION	2
-	2	2	2	-	2	-	-	-	2	2	2	2	-	-	-	-	2	2	2	2	2	-	F	-	RELEASED FOR PUBLICATION	1
2	2	2	2	2	2	2	2	2	2	2	2	2	2	2	2	2	2	2	2	2	2	2	G	EH-0674-94	RELEASED FOR PUBLICATION	1



AMP-HOLLAND B.V.
s-Hertogenbosch,
The Netherlands.

DR. :	A. MELDORP	CHK. :	J. VERMEULEN	APP. :	J. STAMMAN	DRG. No.	C-106901	REV. LTR.	M	SHEET	1 of 1	A3
DATE:	27 AUG 96	DATE:	3/9/96	DATE:	3/9/96							