



Chipsmall Limited consists of a professional team with an average of over 10 year of expertise in the distribution of electronic components. Based in Hongkong, we have already established firm and mutual-benefit business relationships with customers from,Europe,America and south Asia,supplying obsolete and hard-to-find components to meet their specific needs.

With the principle of "Quality Parts,Customers Priority,Honest Operation,and Considerate Service",our business mainly focus on the distribution of electronic components. Line cards we deal with include Microchip,ALPS,ROHM,Xilinx,Pulse,ON,Everlight and Freescale. Main products comprise IC,Modules,Potentiometer,IC Socket,Relay,Connector.Our parts cover such applications as commercial,industrial, and automotives areas.

We are looking forward to setting up business relationship with you and hope to provide you with the best service and solution. Let us make a better world for our industry!



Contact us

Tel: +86-755-8981 8866 Fax: +86-755-8427 6832

Email & Skype: info@chipsmall.com Web: www.chipsmall.com

Address: A1208, Overseas Decoration Building, #122 Zhenhua RD., Futian, Shenzhen, China



4

3

2

1

THIS DRAWING IS UNPUBLISHED
VERTRAULICHE UNVERÖFFENTLICHE ZEICHNUNG

RELEASE FOR PUBLIKATION
FREI FUER VERÖFFENTLICHUNG ,2000

MATED WITH:
PASSEND ZU:

LOC
AI

DIST
-

REVISIONS
ÄNDERUNGEN

© COPYRIGHT 2000

BY AMP INCORPORATED

ALL RIGHTS RESERVED
ALLE RECHTE VORBEHALTEN

BG5

P

LTR

DESCRIPTION
BESCHREIBUNG

DATE

DWN

APVD

PROJEKT NR.
EGGMA05416

B1

AS PER ECR-06-006735

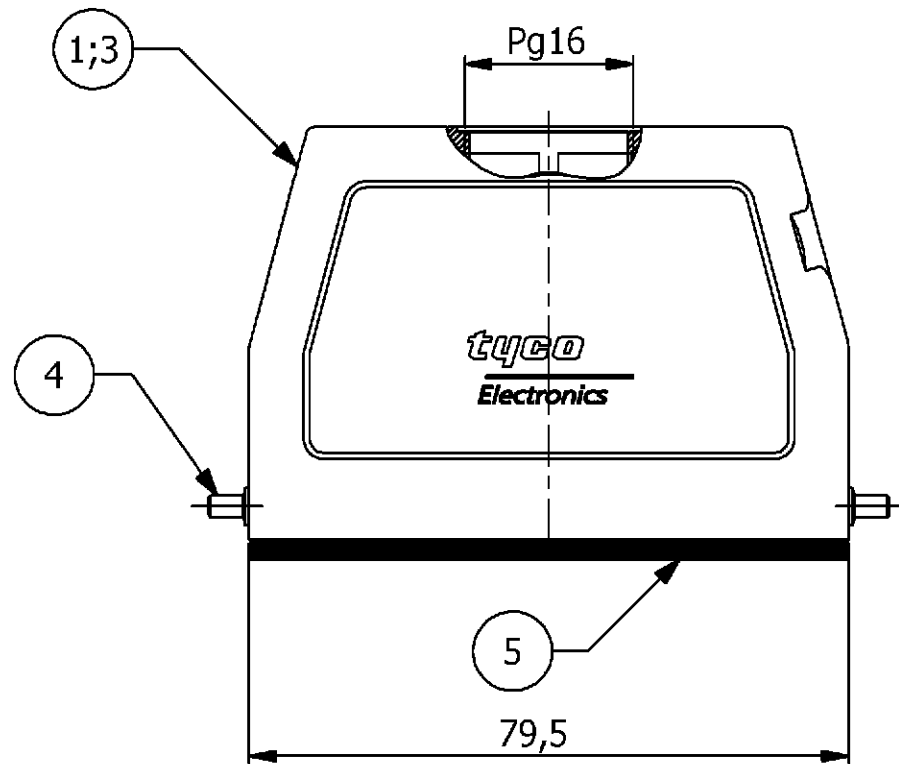
3/20/2006

PB

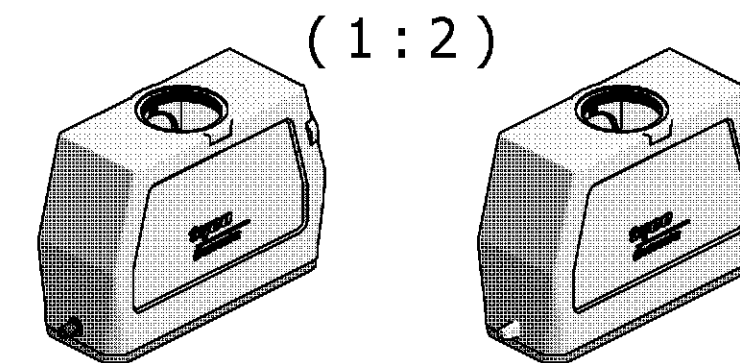
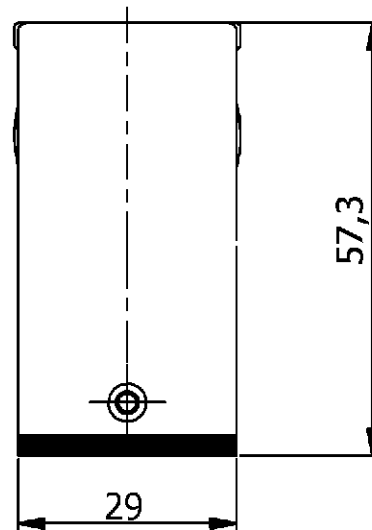
ST

NOTES

- 1 PACKAGING QUANTITY: 5 PIECES PER BOX
- 2 MATERIAL: HOUSING: ALUMINIUM DIECASTING ALLOY
- 3 SURFACE: ALUMINIUM OXIDE - VARNISH BLACK
-GREY / BLACK / WITHOUT VARNISH
- 4 VARNISH ON THE INSIDE NOT NECESSARY

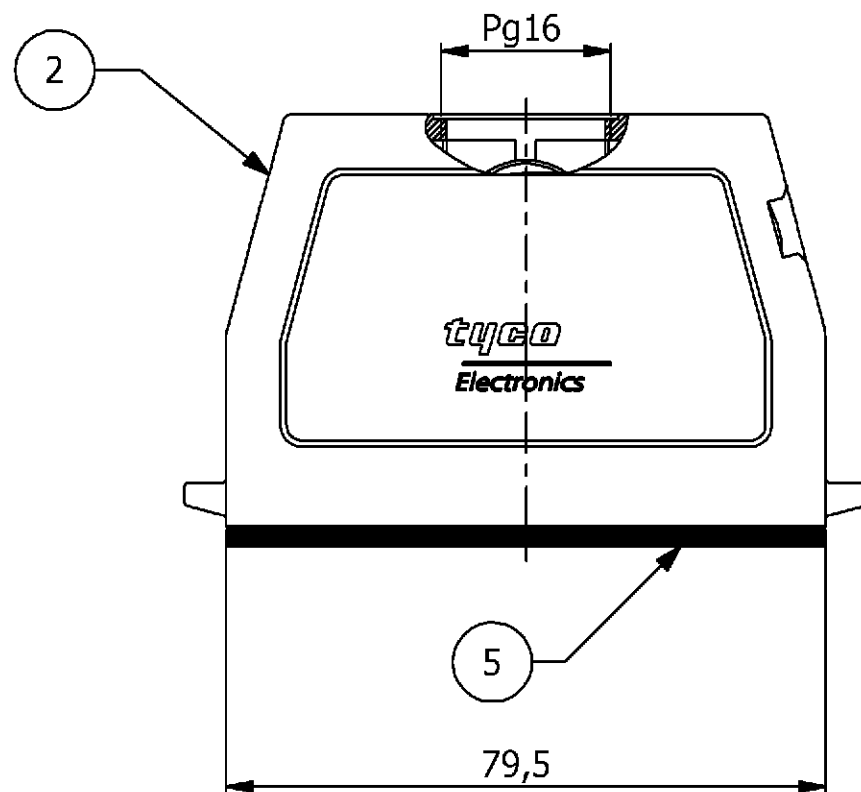


PN 0-1 & 2-7 as shown

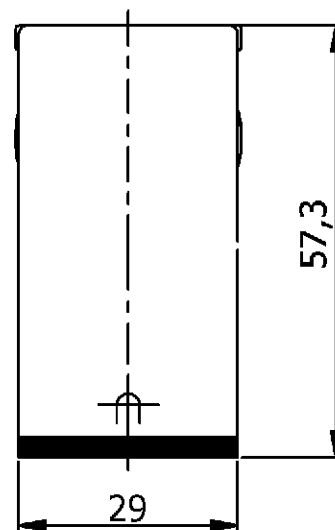


PN 0-1 & 2-7

PN 1-7



PN 1-7 as shown



2-7	1-7	0-1	DESCRIPTION	MATERIAL	SURFACE	COLOR	ITEM	REMARKS
1	1	1	Profile Seal	Neoprene	-	Black	5	Bg5
2	-	2	Clip Bolt	V2A / Stainless Steel	Blank / Even	-	4	-
1	-	-	HA-K Hood	Aluminium	Aluminium oxide	Black	3	-
-	1	-	HA Hood	Aluminium	-	Grey	2	-
-	-	1	HA-K Hood	Aluminium	Aluminium oxide	Al Color	1	-

ORDERING

HA-K.16.STO.1.16.G
HA.16.STO.1.16.G
HA-K.16.STO.1.16.G

THIS DRAWING IS A CONTROLLED DOCUMENT FOR AMP INCORPORATED.
IT IS SUBJECT TO CHANGE AND THE CONTROLLING ENGINEERING
ORGANIZATION SHOULD BE CONTACTED FOR THE LATEST REVISION.
DIESES ZEICHNUNGSDOKUMENT WIRD DURCH AMP INCORPORATED KONTROLLIERT.
ÄNDERUNGEN, DIE DEM TECHNISCHEN FORTSCHRITT DIENEN, SIND VORBEHALTEN.
DEN JEWELIG LETZTGÜLTIGEN ÄNDERUNGSSTAND ERFAHREN SIE AUF ANFRAGE.

DIMENSIONS: DIMENSIONEN: mm	TOLERANCES UNLESS OTHERWISE SPECIFIED: ALLGEMEINTOLERANZEN
	n. ISO 8015 - n. ISO 2768 - m H-E n. DIN 16901- 140
MATERIAL	FINISH / OBERFLÄECHE / FARBE

DWN	P.BENNUR	2/28/2006
CHK	R.SRINIVAS	2/28/2006
APVD	T.SCHNURPFEIL	2/28/2006
PRODUCT SPEC. PRODUKTSPEZ.	108-74009	
APPLICATION SPEC. VERARBEITUNGSSPEZ.	114-74001	
WEIGHT GEWICHT	-	

		Tyco / Electronics AMP GmbH D - 53819 Neunkirchen	
NAME		HOOD HA-K.16.STO.1.16.G	
SIZE	CAGE CODE	DRAWING NO. ZEICHNUNGS-NR.	RESTRICTED TO NUR FUER
A3	00779	1102139	
CUSTOMER DRAWING / KUNDENZEICHNUNG		SCALE MASSSTAB	SHEET BLATT
		1:1	1 OF 1
		REV.	B1

H:\H15\EGGMA05416\HA_D\10\10\HA_10_Asymble1(1102139)_C_1102139_1.dwg