



Chipsmall Limited consists of a professional team with an average of over 10 year of expertise in the distribution of electronic components. Based in Hongkong, we have already established firm and mutual-benefit business relationships with customers from,Europe,America and south Asia,supplying obsolete and hard-to-find components to meet their specific needs.

With the principle of “Quality Parts,Customers Priority,Honest Operation,and Considerate Service”,our business mainly focus on the distribution of electronic components. Line cards we deal with include Microchip,ALPS,ROHM,Xilinx,Pulse,ON,Everlight and Freescale. Main products comprise IC,Modules,Potentiometer,IC Socket,Relay,Connector.Our parts cover such applications as commercial,industrial, and automotives areas.

We are looking forward to setting up business relationship with you and hope to provide you with the best service and solution. Let us make a better world for our industry!



Contact us

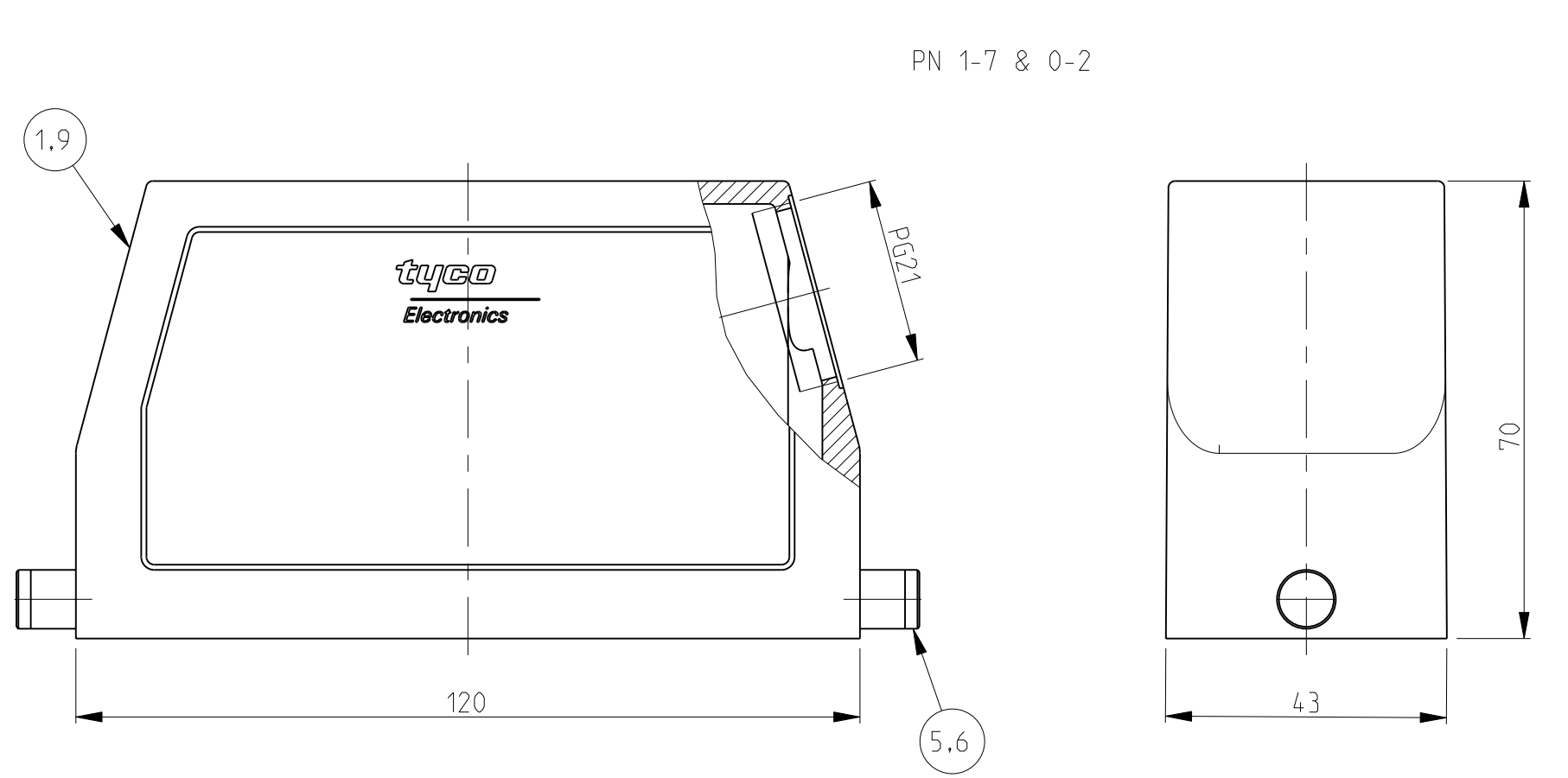
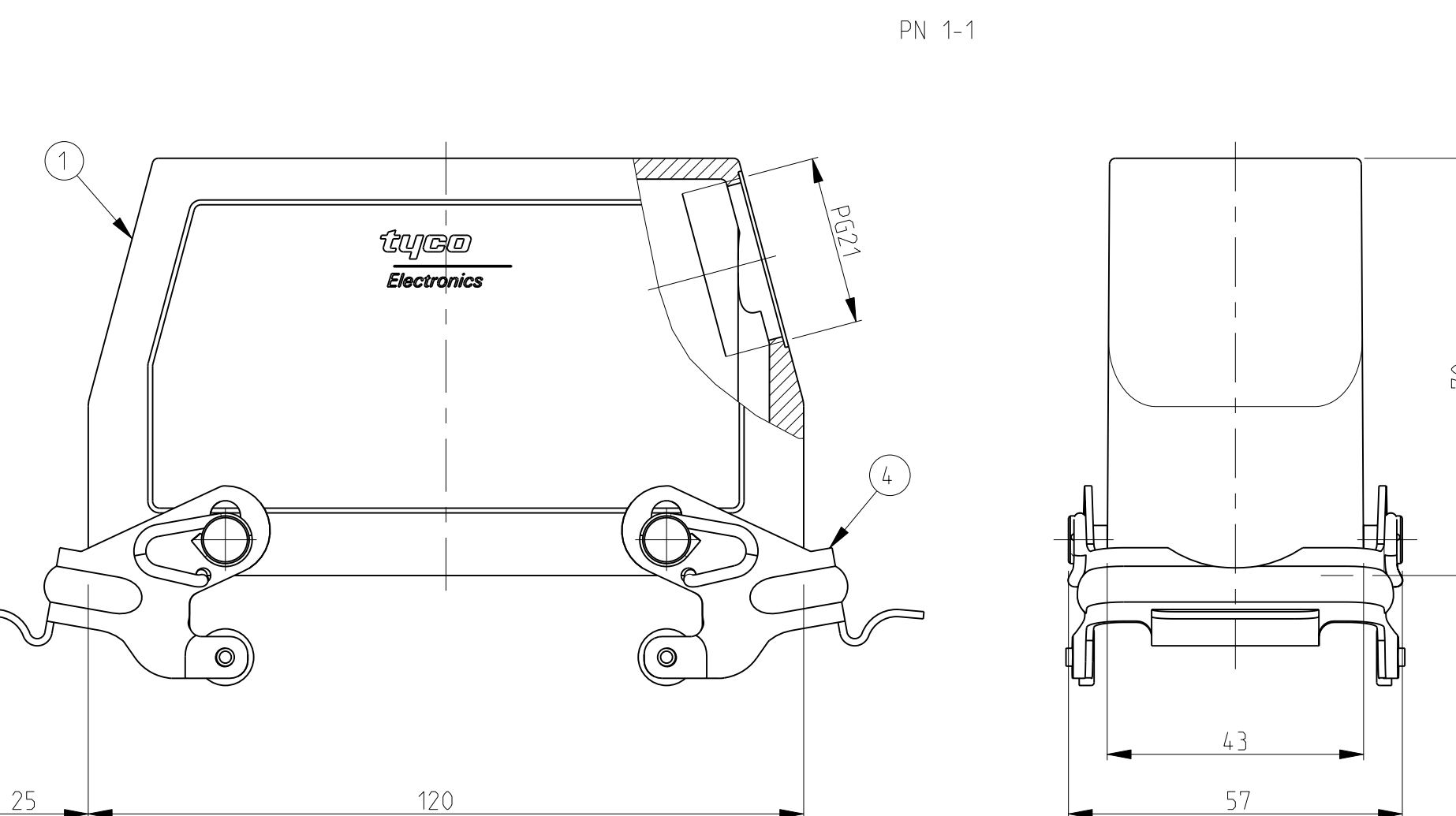
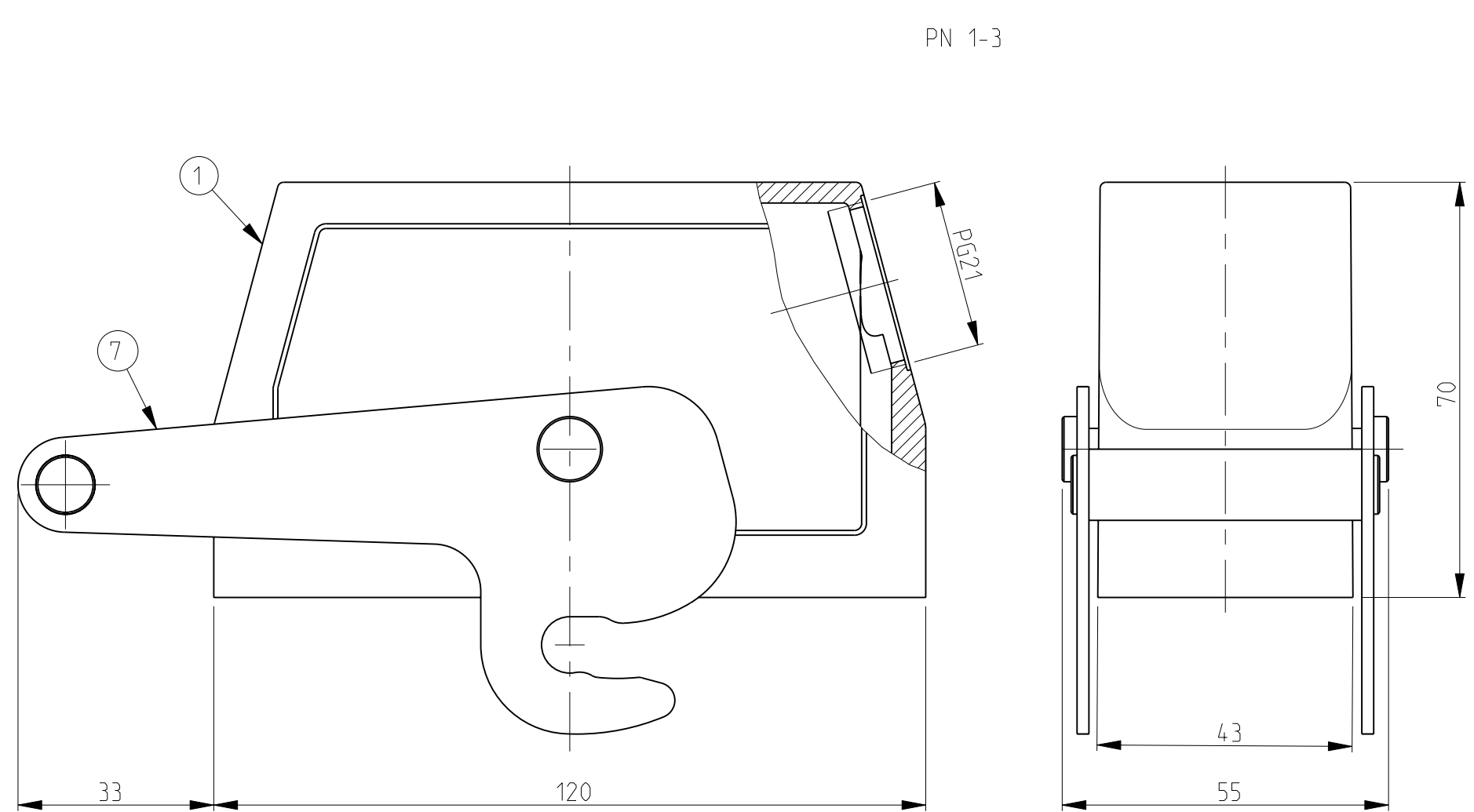
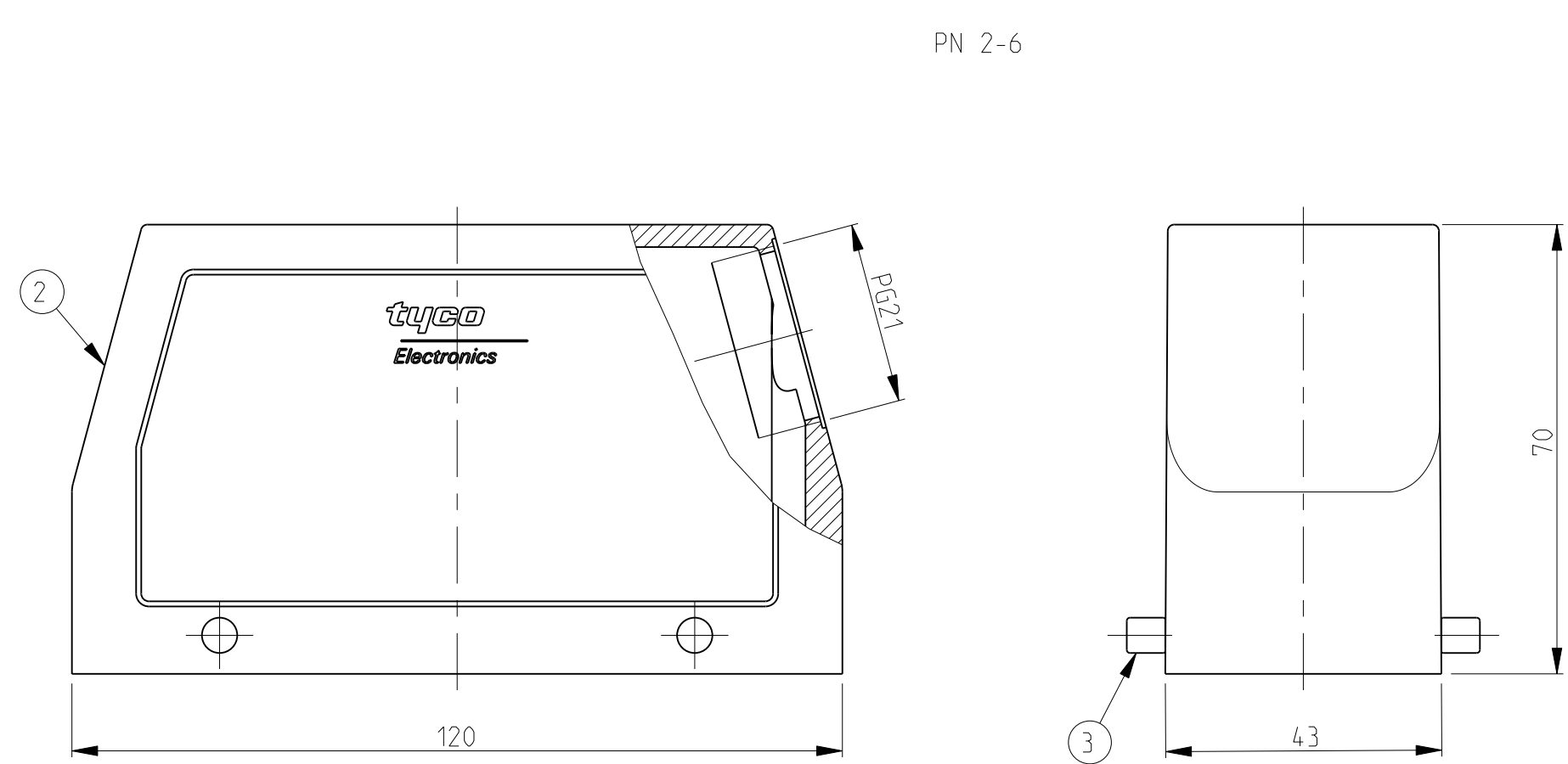
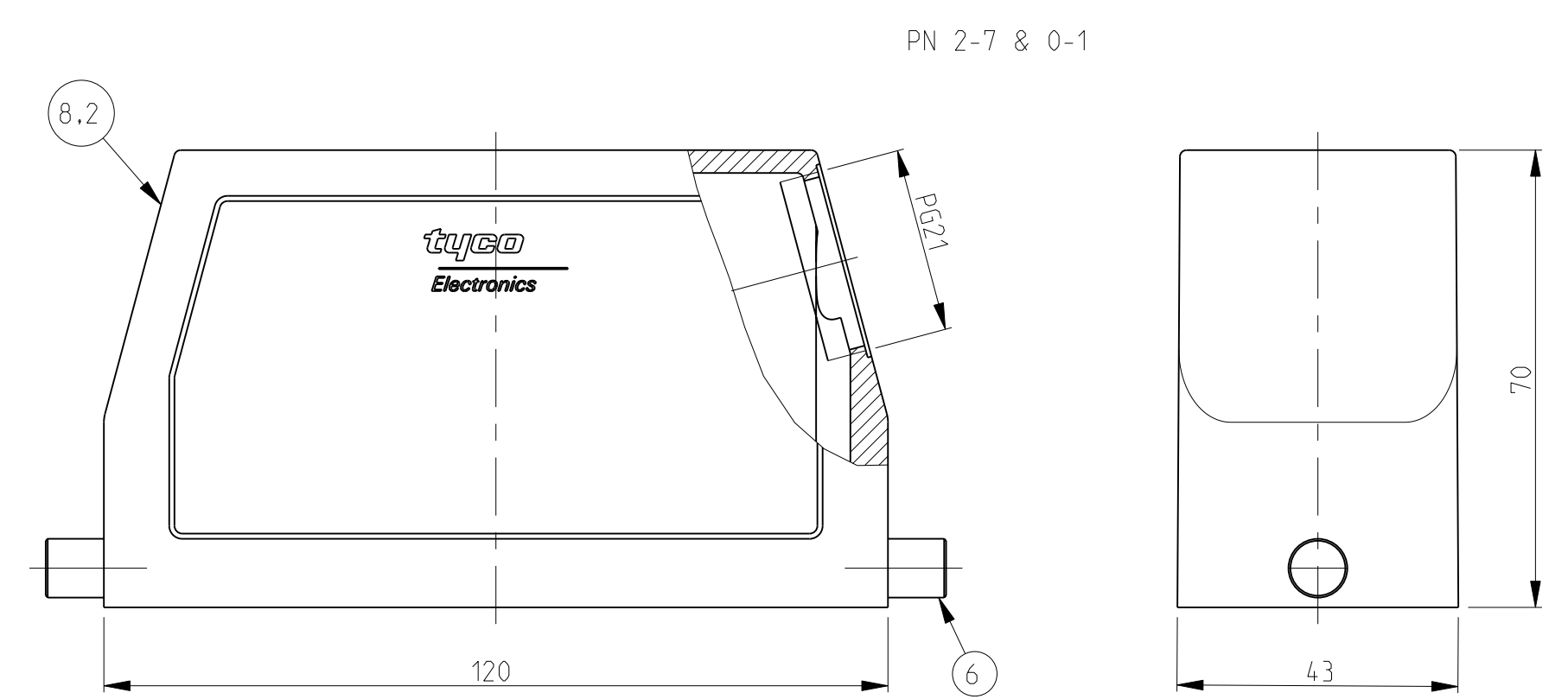
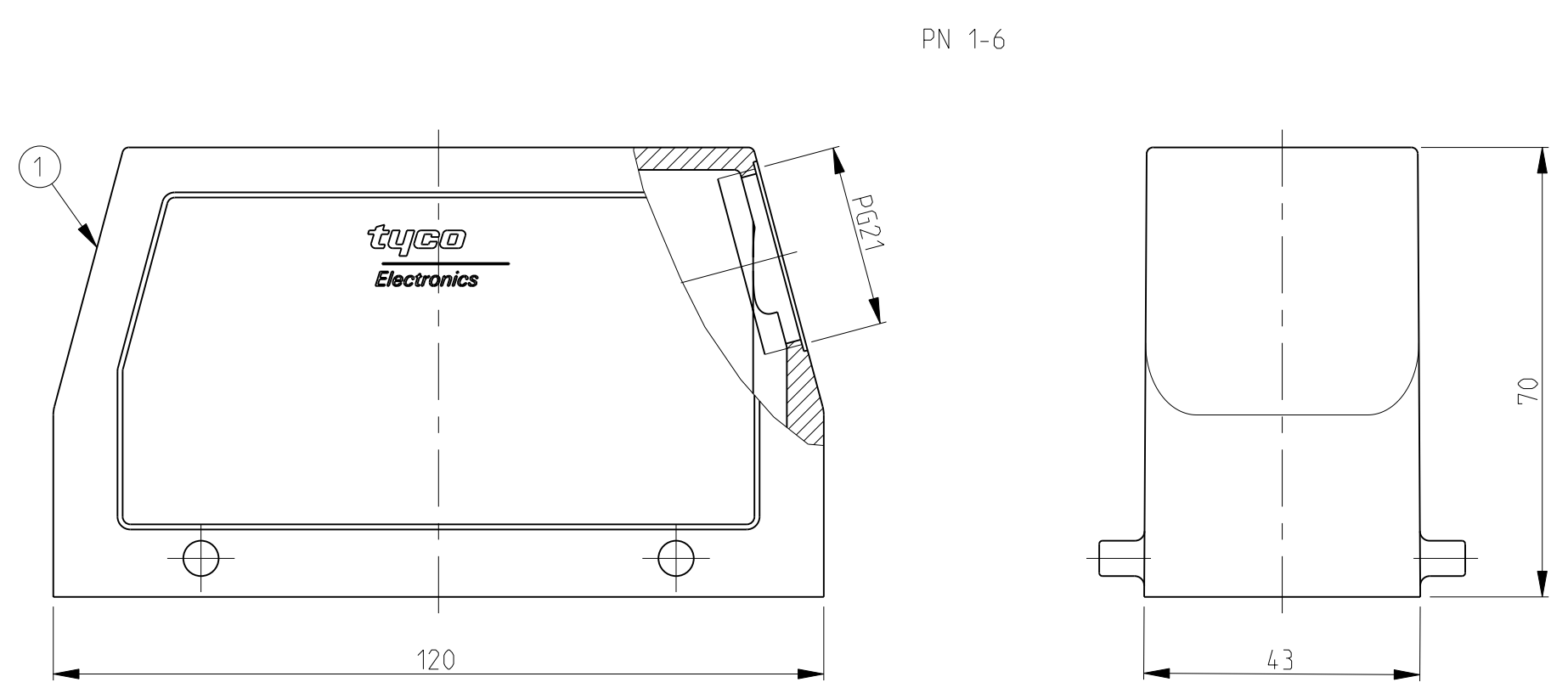
Tel: +86-755-8981 8866 Fax: +86-755-8427 6832

Email & Skype: info@chipsmall.com Web: www.chipsmall.com

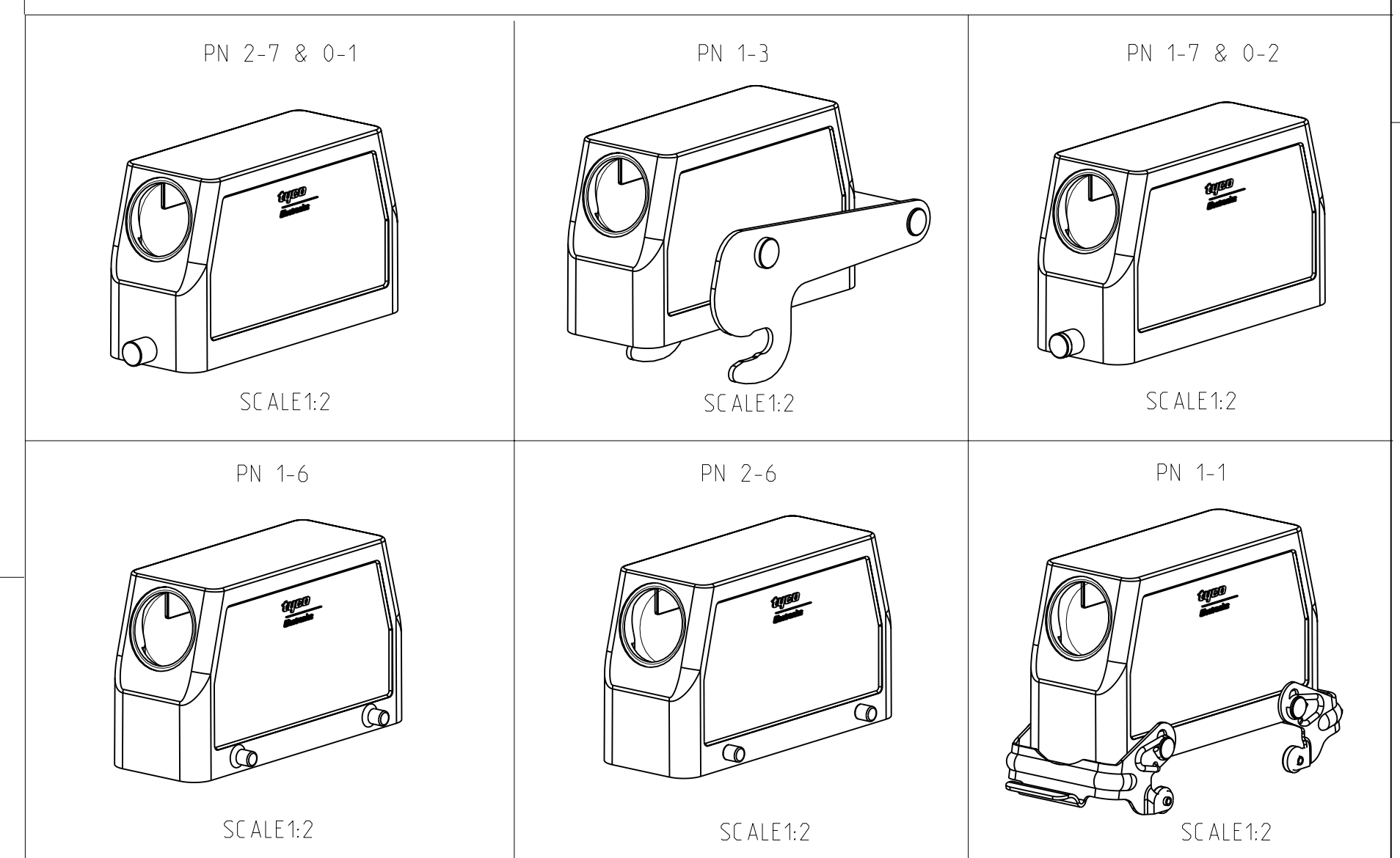
Address: A1208, Overseas Decoration Building, #122 Zhenhua RD., Futian, Shenzhen, China



REV. NO.		REVISIONS			
LOC	DIST	DATE	BY	APPD	DESCRIPTION
A1	-				Released as per ECR-07-019955



- NOTES.
- 1 Material:Housing:Aluminium Diecasting Alloy
 - 2 Surface:Varnish grey
-Aluminium oxide-
Varnish black
 - 3 Varnish on the inside not necessary
 - 4 Packaging
Quantity 5 Pieces in a box



QTY	ITEM NO	DESCRIPTION	MATERIAL	SURFACE	COLOR	ITEM NO	REMARKS
1	1	Hood HB	Aluminium	-	Grey	9	Neutral
1	1	Hood HB-K	Aluminium	Aluminium oxide	Aluminium-colored	8	Special lacquer finish
2	2	ZB-Central clip	Steel	Zinc plated	Blue	7	
2	2	LB-Clip bolt	Stainless steel	Blank	-	6	
2	2	LB-Clip bolt	Steel	Zinc plated	Blue	5	
2	2	VS-Side clip	Steel	Zinc plated	Blue	4	
2	2	VS-Clip bolt	Stainless steel	Blank	-	3	
1	1	HB-K Hood	Aluminium	Aluminium oxide	Black	2	
1	1	HB Hood	Aluminium	-	Grey	1	

ORDERING TEXT

HB.24.STS.1.21.G
 HB-K.24.STS.1.21.G
 HB.24.STS-VS.1.21.G
 HB.24.STS-GR.1.21.G
 HB-K.24.STS-GR.1.21.G
 HB-Z.24.STS-ZB.1.21.G
 HB-K.24.STS-ZB.1.21.G
 HB.24.STS-GR.1.21.G

DIMENSIONS:	TOLERANCES UNLESS OTHERWISE SPECIFIED:	DWN	Schneider	05.06.00	Tyco Electronics AMP GmbH 0-53819-Neunkirchen,Germany
mm	0.100 mm	CHK	Schweiger	05.06.00	
MATERIAL:	FINISH:	APVD			NAME
					Hood HB.24.STS.1.21.G
					PRODUCT SPEC 108-74001 108-74003
					APPLICATION SPEC 114-74001 114-74004
					SIZE CAGE CODE DRAWING NO A1 00779 C=1102316
					RESTRICTED TO
					CUSTOMER DRAWING SCALE 1:1 SHEET 1 OF 1 REV. A3