



Chipsmall Limited consists of a professional team with an average of over 10 year of expertise in the distribution of electronic components. Based in Hongkong, we have already established firm and mutual-benefit business relationships with customers from,Europe,America and south Asia,supplying obsolete and hard-to-find components to meet their specific needs.

With the principle of “Quality Parts,Customers Priority,Honest Operation,and Considerate Service”,our business mainly focus on the distribution of electronic components. Line cards we deal with include Microchip,ALPS,ROHM,Xilinx,Pulse,ON,Everlight and Freescale. Main products comprise IC,Modules,Potentiometer,IC Socket,Relay,Connector.Our parts cover such applications as commercial,industrial, and automotives areas.

We are looking forward to setting up business relationship with you and hope to provide you with the best service and solution. Let us make a better world for our industry!



Contact us

Tel: +86-755-8981 8866 Fax: +86-755-8427 6832

Email & Skype: info@chipsmall.com Web: www.chipsmall.com

Address: A1208, Overseas Decoration Building, #122 Zhenhua RD., Futian, Shenzhen, China



THIS DRAWING IS UNPUBLISHED.

RELEASED FOR PUBLICATION

2006

© COPYRIGHT 2006 BY -

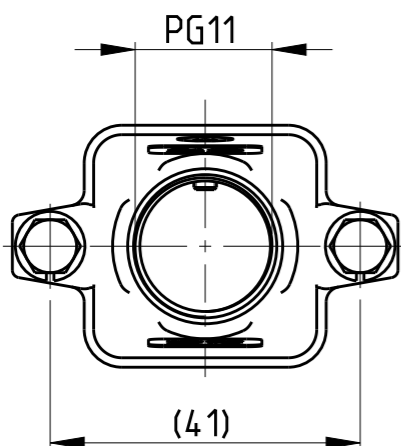
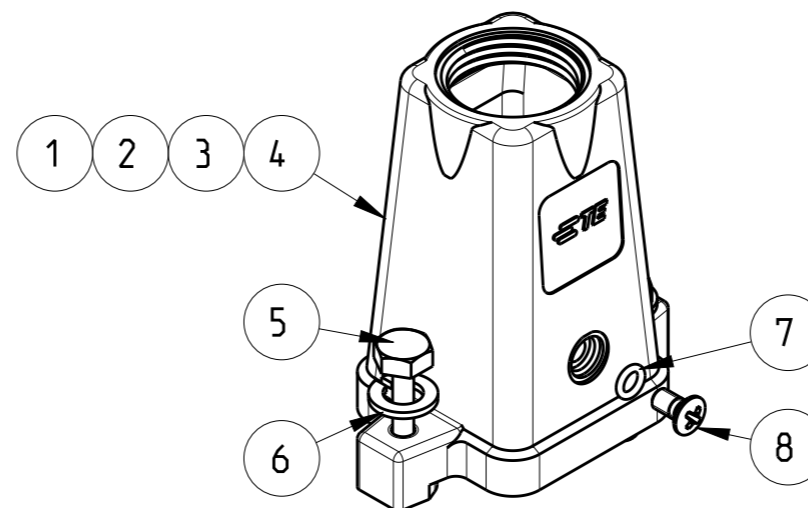
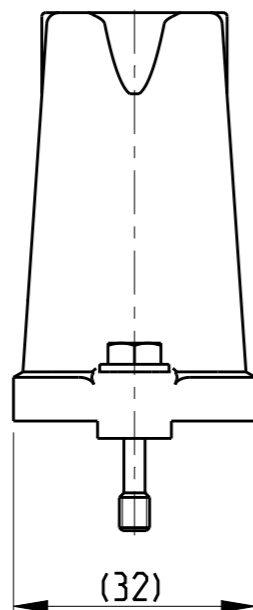
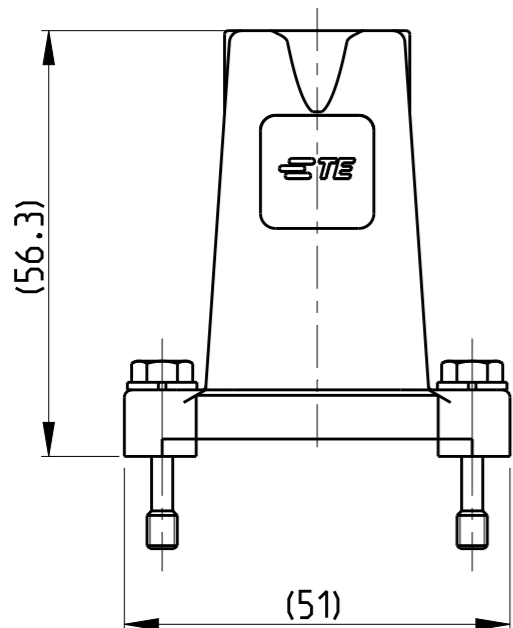
ALL RIGHTS RESERVED.

REVISIONS

P	LTR	DESCRIPTION	DATE	DWN	APVD
A5		ECR-10-009092	22OCT2009	RO	BR
B		ECR-16-001855	29FEB2016	GCM	JB

Notes

- 1 SUITABLE HOUSINGS: SERIES HIP, SIZE 1
CUSTOMER DRAWING 1102600, 1106408
- 2 STANDARDS:
DIN EN 61984, DIN EN 60664-1
- 3 TOOL:
PHILLIPS SCREWDRIVER PH1.
HEXAGON SCREWDRIVER 7mm
- 4 VARNISH ON INSIDE AREA NOT
NECESSARY
- 5 PACKAGING:
10 SETS IN A CARTON, PRE-MOUNTED




PN 1-5 AS SHOWN

0-1102600-2	HIP-K.3/4.STO.1.11.G
2-1102600-5	HIP-K.3/4.STO.1.11.G
1-1102600-5	HIP.3/4.STO.1.11.G
PART NO.	ORDERING TEXT

0-2	2-5	1-5	DESCRIPTION	MATERIAL	COLOR/SURFACE	NOTE	ITEM
1	1	1	SREW COUNTERSUNK RAISED HEAD	STAINL.STEEL	V2A	M3x6 PH1 DIN EN ISO 7047	8
1	1	1	O - RING	NBR	BLACK	3.0x1.0	7
2	2	2	WASHER, PLAIN	STAINL.STEEL	BLANK	A4, DIN EN ISO 7089, 200HV	6
2	2	2	SCREW, HEXAGON BOLT	STAINL.STEEL	BLANK	M4x22 DIN EN ISO 7964, REDUCED SHUNK	5
1	-	-	CONNECTOR HOUSING	ALU	YELLOW	SERIES HIP-K	4
-	1	-	CONNECTOR HOUSING	ALU	BLACK	SERIES HIP-K	2
-	-	1	CONNECTOR HOUSING	ALU	GREY	SERIES HIP	1

PARTS LIST (PER ONE UNIT)

THIS DRAWING IS A CONTROLLED DOCUMENT.		DWN V.Glumm 06AUG2009	 TE Connectivity
DIMENSIONS: mm		CHK H.Braun 06AUG2009	
TOLERANCES UNLESS OTHERWISE SPECIFIED:		APVD T.Schnurpfel 06AUG2009	
0 PLC ± 1 PLC ± 2 PLC ± 3 PLC ± 4 PLC ± ANGLES ±°		PRODUCT SPEC	
MATERIAL		APPLICATION SPEC	NAME CONNECTOR HOUSING ASS'Y, TOP ENTRY SERIES HIP, SIZE 1, PG11
FINISH		WEIGHT	SIZE A3
		CUSTOMER DRAWING	CAGE CODE 00779
			DRAWING NO C-1102600
			RESTRICTED TO
		SCALE 1:1	SHEET 1 OF 1
			REV B