



Chipsmall Limited consists of a professional team with an average of over 10 year of expertise in the distribution of electronic components. Based in Hongkong, we have already established firm and mutual-benefit business relationships with customers from,Europe,America and south Asia,supplying obsolete and hard-to-find components to meet their specific needs.

With the principle of "Quality Parts,Customers Priority,Honest Operation,and Considerate Service",our business mainly focus on the distribution of electronic components. Line cards we deal with include Microchip,ALPS,ROHM,Xilinx,Pulse,ON,Everlight and Freescale. Main products comprise IC,Modules,Potentiometer,IC Socket,Relay,Connector.Our parts cover such applications as commercial,industrial, and automotives areas.

We are looking forward to setting up business relationship with you and hope to provide you with the best service and solution. Let us make a better world for our industry!



Contact us

Tel: +86-755-8981 8866 Fax: +86-755-8427 6832

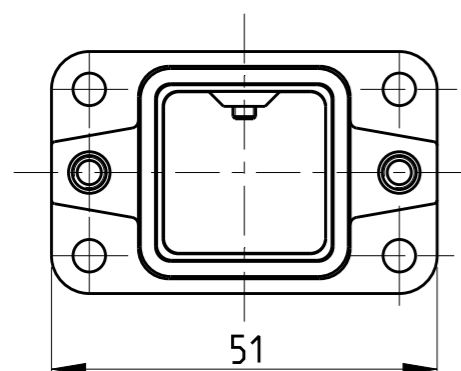
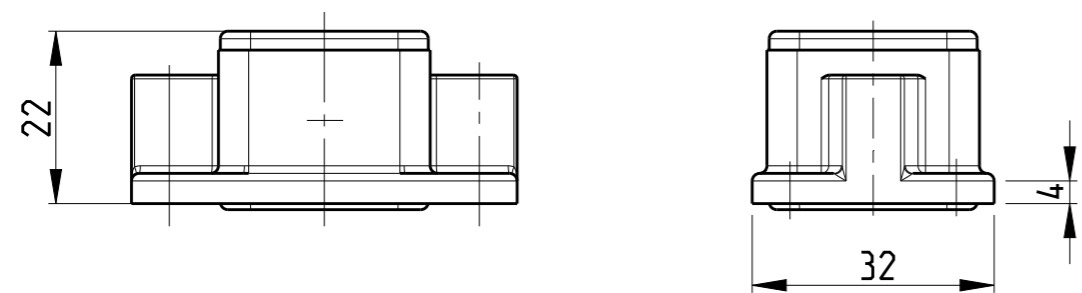
Email & Skype: info@chipsmall.com Web: www.chipsmall.com

Address: A1208, Overseas Decoration Building, #122 Zhenhua RD., Futian, Shenzhen, China

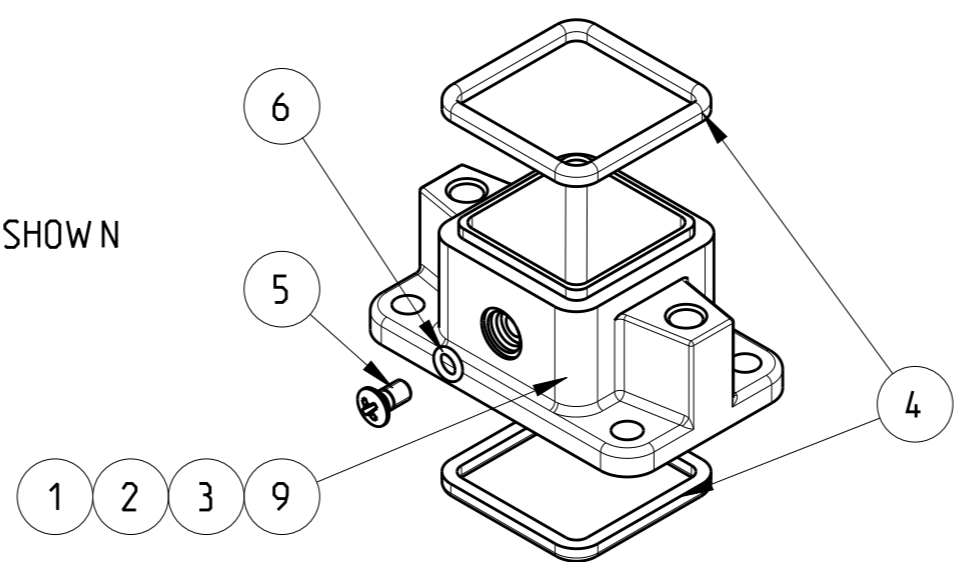
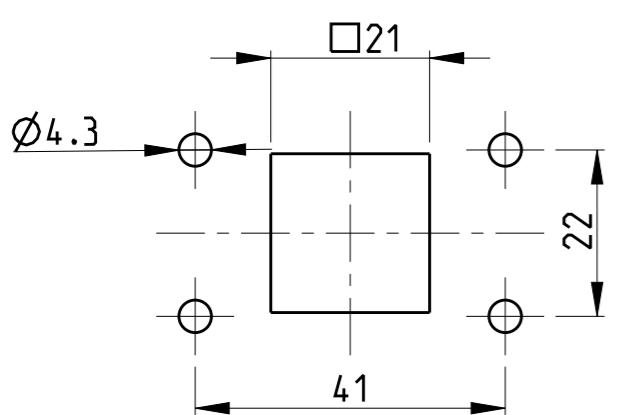


THIS DRAWING IS UNPUBLISHED. RELEASED FOR PUBLICATION 2006
 © COPYRIGHT 2006 BY - ALL RIGHTS RESERVED.

LOC	DIST	REVISIONS			
P	LTR	DESCRIPTION	DATE	DWN	APVD
A4		ECR-09-009777	17MAY2010	SR	AR
B		ECR-16-001977	01APR2016	GCM	JB



PN 1-5 AS SHOWN



Notes

- SUITABLE HOUSINGS: SERIES HIP, SIZE 1
CUSTOMER DRAWING 1102600, 1106408, 1106200
- STANDARDS:
DIN EN 61984, DIN EN 60664-1
- TOOL:
PHILLIPS SCREWDRIVER PH1.
- VARNISH ON INSIDE AREA NOT NECESSARY
- PACKAGING:
10 SETS IN A CARTON

1	x	x	-					
PN/QTY	DESCRIPTION			MATERIAL	COLOR/SURFACE	NOTE	ITEM	
1				BULKHEAD HOUSING	ALU	BLACK	SERIES HIP-K - WITHOUT LOGO	9
				GLUE	CYANACRYLAT	BLACK	LOCTITE 480	8
				GLUE	CYANACRYLAT	NATURAL	LOCTITE 401	7
1	1	1	1	O - RING	NBR	BLACK	3.0x1.0	6
1	1	1	1	SREW COUNTERSUNK RAISED HEAD	STAINL. STEEL V2A	-	M3x6 PH1 DIN EN ISO 7047	5
2	2	2	2	PROFILE SEAL	FKM	BLACK	SERIES EMV / HIP	4
	1	-	-	BULKHEAD HOUSING	ALU	BLACK	SERIES HIP-K WEIDMÜLLER LOGO	3
	-	1	-	BULKHEAD HOUSING	ALU	BLACK	SERIES HIP-K	2
	-	-	1	BULKHEAD HOUSING	ALU	GREY	SERIES HIP	1

0-2	HIP-K.3/4.AG-N
0-1	HIP-K.3/4.AG.WE
2-5	HIP-K.3/4.AG
1-5	HIP.3/4.AG
PART NO.	ORDERING TEXT

THIS DRAWING IS A CONTROLLED DOCUMENT.

DWN V.GLUMM 12AUG2009
 CHK H.Braun 12AUG2009
 APVD T.Schnurfeil 12AUG2009

STE TE Connectivity

NAME BULKHEAD HOUSING ASS'Y, BOTTOM ENTRY
 SERIES HIP, SIZE 1

SIZE A3 CAGE CODE 00779 DRAWING NO C-1102603 RESTRICTED TO -

CUSTOMER DRAWING SCALE 1:1 SHEET 1 OF 1 REV B

DIMENSIONS:	TOLERANCES UNLESS OTHERWISE SPECIFIED:
mm	0 PLC ±
	1 PLC ±
	2 PLC ±
	3 PLC ±
	4 PLC ±
	ANGLES ±°
MATERIAL -	FINISH -