



Chipsmall Limited consists of a professional team with an average of over 10 year of expertise in the distribution of electronic components. Based in Hongkong, we have already established firm and mutual-benefit business relationships with customers from,Europe,America and south Asia,supplying obsolete and hard-to-find components to meet their specific needs.

With the principle of "Quality Parts,Customers Priority,Honest Operation,and Considerate Service",our business mainly focus on the distribution of electronic components. Line cards we deal with include Microchip,ALPS,ROHM,Xilinx,Pulse,ON,Everlight and Freescale. Main products comprise IC,Modules,Potentiometer,IC Socket,Relay,Connector.Our parts cover such applications as commercial,industrial, and automotives areas.

We are looking forward to setting up business relationship with you and hope to provide you with the best service and solution. Let us make a better world for our industry!



Contact us

Tel: +86-755-8981 8866 Fax: +86-755-8427 6832

Email & Skype: info@chipsmall.com Web: www.chipsmall.com

Address: A1208, Overseas Decoration Building, #122 Zhenhua RD., Futian, Shenzhen, China

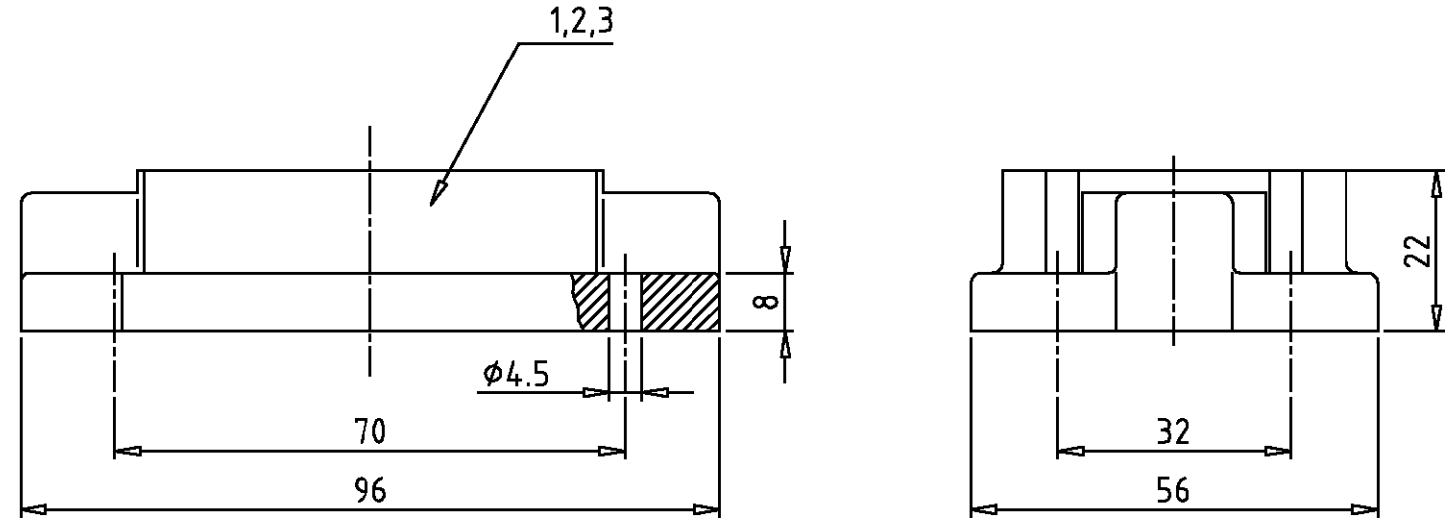


Notes:

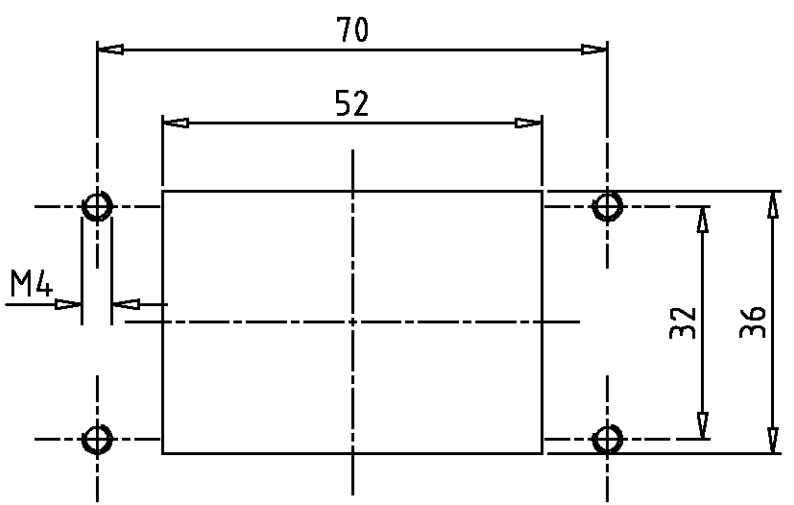
- ⚠ 1 Material: Housing: aluminium diecasting alloy
Seals: Neoprene
- ⚠ 2 Surface: Varnish- grey
- aluminiumoxid+
Varnish black
- ⚠ 3 Varnish on the inside not necessarily

Bemerkungen:

- ⚠ 1 Material: Gehäuse: Alu-Druckguß-Legierung
Dichtungen: Neoprene
- ⚠ 2 Oberfläche: Lackierung - grau
- aluminiumoxid
Lackierung schwarz
- ⚠ 3 Lackierung im Gehäuseinnere ist nicht notwendig



Panel cut-out
Montageausschnitt



		⚠ 1	⚠ 2	⚠ 2			
1	1	O-Ring Bg3	Neoprene	-	black/schwarz	3	-
1		Anbaugehäuse HIP-K.6/16	aluminium/ALU	Hard Coat	black/schwarz	2	-
	1	Anbaugehäuse HIP.6/16	aluminium/ALU	-	grey/grau	1	-
2-5	1-5	DESCRIPTION / BENENNUNG	MATERIAL	SURFACE / OBERFLÄCHE	COLOR / FARBE	ITEM NO. Pos.	NOTES / BEMERKUNGEN
HIP-K.6/16AG	HIP.6/16.AG	<small>THIS DRAWING IS A CONTROLLED DOCUMENT FOR AMP INCORPORATED. IT IS SUBJECT TO CHANGE AND THE CONTROLLING ENGINEERING ORGANIZATION SHOULD BE CONTACTED FOR THE LATEST REVISION. DIESER ZEICHNUNGSKOPF WIRD DURCH AMP INCORPORATED KONTROLLIERT. ÄNDERUNGEN, DIE DEM TECHNISCHEN FORTSCHRITT DIENEN, SIND VORBEHALTEN. DEN JEWILIG LETZTGÜLTIGEN ÄNDERUNGSSTAND ERFAHREN SIE AUF ANFRAGE.</small>		<small>TOLERANCES UNLESS OTHERWISE SPECIFIED: ALL GEMEINTOLERANZEN</small> n. ISO 8015 n. ISO 2768 - mH -E n. DIN 16901 - 140 0 PLC 1 PLC 2 PLC 3 PLC ANGLES / WINKEL # FINISH / OBERFLÄCHE / FARBE	DWN Schneider 12.01.01 CHK Schweiger 12.01.01 APVD - PRODUCT SPEC PRODUKTSPEZ. - APPLICATION SPEC VERARBEITUNGSSPEZ. - WEIGHT GEWICHT - CUSTOMER DRAWING /KUNDENZEICHNUNG	HTS Elektrotechnik 53819 Neunkirchen, Germany	
ORDERING TEXT / BESTELLTEXT		DIMENSIONS: DIMENSIONEN: mm 		MATERIAL 		NAME Surface Mounted Housing Bottom Entry Anbaugehäuse HIP.6/16 SIZE A3 CAGE CODE 00779 DRAWING NO ZEICHNUNGS-NR. 1102638 RESTRICTED TO NUR FUER - SCALE MASSTAB 1:1 SHEET BLATT 1 OF VON 1 REV. A2	