



Chipsmall Limited consists of a professional team with an average of over 10 year of expertise in the distribution of electronic components. Based in Hongkong, we have already established firm and mutual-benefit business relationships with customers from,Europe,America and south Asia,supplying obsolete and hard-to-find components to meet their specific needs.

With the principle of “Quality Parts,Customers Priority,Honest Operation,and Considerate Service”,our business mainly focus on the distribution of electronic components. Line cards we deal with include Microchip,ALPS,ROHM,Xilinx,Pulse,ON,Everlight and Freescale. Main products comprise IC,Modules,Potentiometer,IC Socket,Relay,Connector.Our parts cover such applications as commercial,industrial, and automotives areas.

We are looking forward to setting up business relationship with you and hope to provide you with the best service and solution. Let us make a better world for our industry!



Contact us

Tel: +86-755-8981 8866 Fax: +86-755-8427 6832

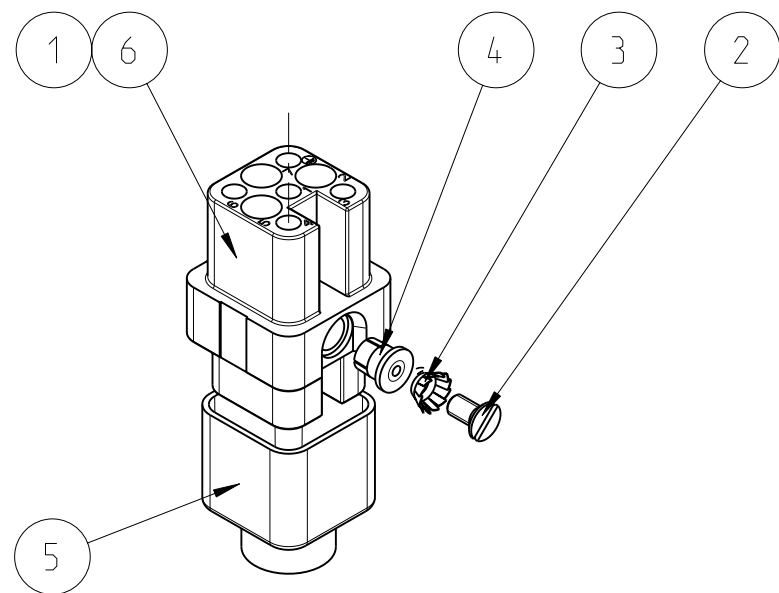
Email & Skype: info@chipsmall.com Web: www.chipsmall.com

Address: A1208, Overseas Decoration Building, #122 Zhenhua RD., Futian, Shenzhen, China



THIS DRAWING IS UNPUBLISHED. RELEASED FOR PUBLICATION 2006
 © COPYRIGHT 2006 Tyco Electronics AMP GmbH ALL RIGHTS RESERVED.

LOC	DIST	REVISIONS					
		P	LTR	DESCRIPTION	DATE	DWN	APVD
A1	-		B5	ECR-11-013895	29JUN2011	SR	BR
			B6	ECR-11-017365	19AUG2011	SR	BR



Notes

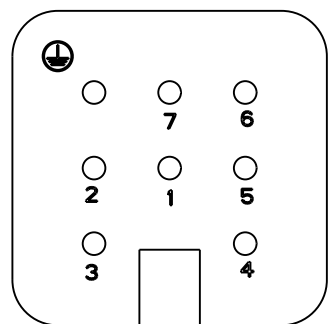
- 1 SUITABLE CRIMP CONTACTS:
 -SERIES TYPE III+; CUSTOMER DRAWING: 163083
 -SERIES C12; CUSTOMER DRAWING: 927890
 -SERIES HD.M; CUSTOMER DRAWING: 1105001
 -WIRE INSULATION: MAX. Ø4.2 MM
 -DIMENSIONS: (OVER ALL) 21x21x32mm
- 2 SUITABLE INSERTION TOOL:
 CUSTOMER DRAWING: 1102855-1
- 3 SUITABLE EXTRACTION TOOL:
 CUSTOMER DRAWING: 1102855-6
- 4 STANDARDS:
 DIN EN 61984, DIN EN 60664-1
- △ 5 AUTHORISATION; UL: UL-FILE NR.: E101788(R)
- 6 PACKAGING:
 PN 2-3 10 SETS IN A CARTON, PRE-MOUNTED
 PN 2-4 500 SETS IN A CARTON, PRE-MOUNTED

QTY	DESCRIPTION	MATERIAL	COLOR	ITEM	NOTES
1	FEMALE INSERT	PA66-GF25	LIGHT GREY	6	SERIES HD7, 8-POS. , TYPE III+, SIZE1
1	INSULATION COVER	NBR65	BLACK	5	SERIES HD7
1	SCREW THREAD INSERT	BRASS		4	M3x5.5, AFTERMOULD
1	WASHER, SERRATED LOCK	STAINL. STEEL		3	V3.4, DIN 6798 JULY 1988
1	SCREW, SLOTTED COUNTERSUNK FLAT HEAD	STAINL. STEEL		2	M3x6 DIN EN ISO 2009
1	FEMALE INSERT	PC-GF20	LIGHT GREY	1	SERIES HD7, 8-POS. , TYPE III+, SIZE1
2-4	DESCRIPTION	MATERIAL	COLOR	ITEM	NOTES

HD.7.BU.C.250V

HD.7.BU.C.La.250V

CONTACT ARRANGEMENT
 VIEW FROM TERMINATION SIDE



THIS DRAWING IS A CONTROLLED DOCUMENT.

DIMENSIONS:	TOLERANCES UNLESS OTHERWISE SPECIFIED:
mm	
	0 PLC ±-
	1 PLC ±-
	2 PLC ±-
	3 PLC ±-
	4 PLC ±-
	ANGLES ±1°
MATERIAL -	FINISH -

DWN	09APR2002
R.SCHNEIDER	
CHK	09APR2002
M.SCHWEIGER	
APVD	09APR2002
T.SCHNURPFEL	
PRODUCT SPEC	108-74002
APPLICATION SPEC	-
WEIGHT	-

TE Connectivity		NAME	
		FEMALE INSERT ASSY SERIES HD.7	
SIZE	CAGE CODE	DRAWING NO	RESTRICTED TO
A3	00779	©=1103001	-

CUSTOMER DRAWING SCALE 2:1 SHEET 1 OF 1 REV B6