



Chipsmall Limited consists of a professional team with an average of over 10 year of expertise in the distribution of electronic components. Based in Hongkong, we have already established firm and mutual-benefit business relationships with customers from,Europe,America and south Asia,supplying obsolete and hard-to-find components to meet their specific needs.

With the principle of “Quality Parts,Customers Priority,Honest Operation,and Considerate Service”,our business mainly focus on the distribution of electronic components. Line cards we deal with include Microchip,ALPS,ROHM,Xilinx,Pulse,ON,Everlight and Freescale. Main products comprise IC,Modules,Potentiometer,IC Socket,Relay,Connector.Our parts cover such applications as commercial,industrial, and automotives areas.

We are looking forward to setting up business relationship with you and hope to provide you with the best service and solution. Let us make a better world for our industry!



## Contact us

Tel: +86-755-8981 8866 Fax: +86-755-8427 6832

Email & Skype: info@chipsmall.com Web: www.chipsmall.com

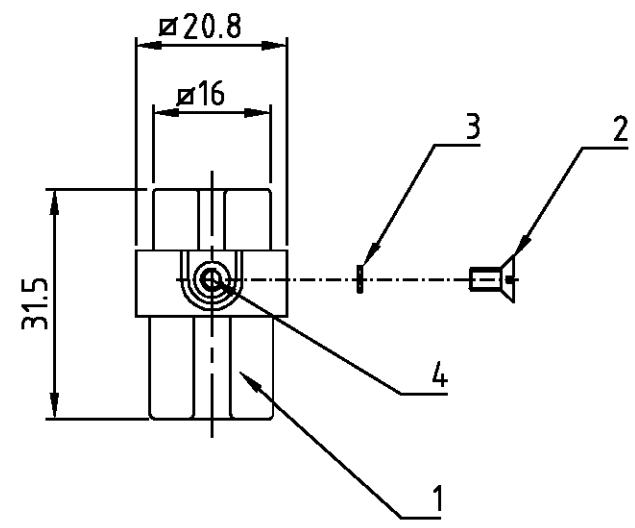
Address: A1208, Overseas Decoration Building, #122 Zhenhua RD., Futian, Shenzhen, China



THIS DRAWING IS UNPUBLISHED.  
 VERTRAULICHE UNVERÖFFENTLICHTE ZEICHNUNG  
 © COPYRIGHT 1997 BY AMP INCORPORATED. ALL RIGHTS RESERVED.  
 FREI FUER VERÖFFENTLICHUNG  
 .1997  
 RELEASED FOR PUBLICATION  
 FREI FUER VERÖFFENTLICHUNG  
 BY AMP INCORPORATED. ALL RIGHTS RESERVED.  
 ALLE RECHTE VORBEHALTEN

MATED WITH:  
 PASSEND ZU:  
 Bg1

LOC	DIST	REVISIONS ÄNDERUNGEN		
A1	-	P	LTR	DATE
PROJEKT NR.:		DESCRIPTION BESCHREIBUNG		DWN
-		Zeichnung überarbeitet; Eg00-1174-02		APVD
				09.04.02
				SR
				SM



Notes,

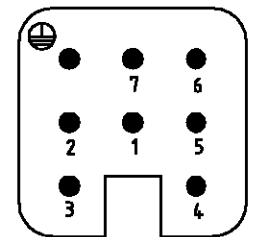
① Material: insert, PC  
 UL-File Nr.: E101788(R)

Bemerkungen,

① Material: Einsatz: PC  
 UL-File Nr.: E101788(R)

Kontaktanordnung  
Contact arrangement

Ansicht Anschlußseite  
 view from termination side



1	Gewindeinsatz M3x5.5	Messing	blank	4	
1	Fächerscheibe V3.2	V2A	blank	3	separat in Poly-Beutel
1	Senkschraube M3x6	V2A	blank	2	separat in Poly-Beutel
1	Buchseinsatz HD7	Lexan	hellbeige	1	
2-3	DESCRIPTION / BENENNUNG	MATERIAL	COLOR / FARBE	ITEM NO. POS.	REMARKS / BEMERKUNGEN

HD.7.Bu.C ORDERING TEXT / BESTELLTEXT	<small>THIS DRAWING IS A CONTROLLED DOCUMENT FOR AMP INCORPORATED. IT IS SUBJECT TO CHANGE AND THE CONTROLLING ENGINEERING ORGANIZATION SHOULD BE CONTACTED FOR THE LATEST REVISION. DIESER ZEICHNUNGSKOPF WIRD DURCH AMP INCORPORATED KONTROLLIERT. ÄNDERUNGEN, DIE DEM TECHNISCHEN FORTSCHRITT DIENEN, SIND VORBEHALTEN. DEN JEWILIG LETZTGÜLTIGEN ÄNDERUNGSSTAND ERFAHREN SIE AUF ANFRAGE.</small>		DWN Schneider 06.04.1999	HTS Elektrotechnik 53819 Neunkirchen, Germany
	<small>TOLERANCES UNLESS OTHERWISE SPECIFIED: ALL GEMEINTOLERANZEN</small> n. ISO 8015 n. ISO 2768 - mH -E n. DIN 16901 - 140		CHK Schweiger 06.04.1999	
	DIMENSIONS: DIMENSIONEN: mm		APVD -	
			PRODUCT SPEC PRODUKTSPEZ. -	
MATERIAL		FINISH / OBERFLÄCHE / FARBE	APPLICATION SPEC VERARBEITUNGSSPEZ. -	NAME Female insert Buchseinsatz HD.7.Bu.C
①		②	WEIGHT GEWICHT -	SIZE A3
			CUSTOMER DRAWING	DRAWING NO. ZEICHNUNGS-NR. C=1103003
				RESTRICTED TO NUR FUER -
				MASSSTAB 1:1
				BLATT 1 OF 1
				REV A2