



Chipsmall Limited consists of a professional team with an average of over 10 year of expertise in the distribution of electronic components. Based in Hongkong, we have already established firm and mutual-benefit business relationships with customers from,Europe,America and south Asia,supplying obsolete and hard-to-find components to meet their specific needs.

With the principle of “Quality Parts,Customers Priority,Honest Operation,and Considerate Service”,our business mainly focus on the distribution of electronic components. Line cards we deal with include Microchip,ALPS,ROHM,Xilinx,Pulse,ON,Everlight and Freescale. Main products comprise IC,Modules,Potentiometer,IC Socket,Relay,Connector.Our parts cover such applications as commercial,industrial, and automotives areas.

We are looking forward to setting up business relationship with you and hope to provide you with the best service and solution. Let us make a better world for our industry!



## Contact us

Tel: +86-755-8981 8866 Fax: +86-755-8427 6832

Email & Skype: info@chipsmall.com Web: www.chipsmall.com

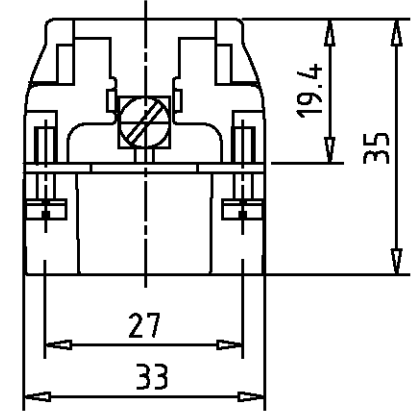
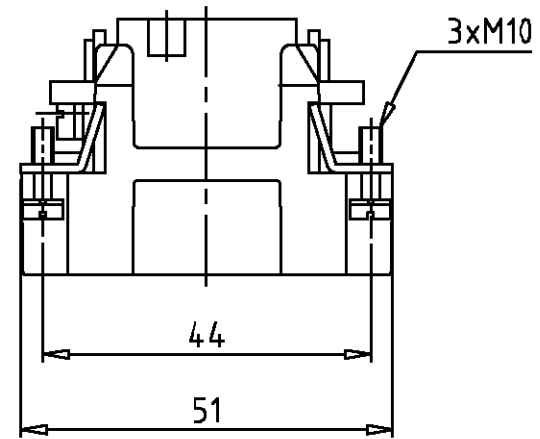
Address: A1208, Overseas Decoration Building, #122 Zhenhua RD., Futian, Shenzhen, China



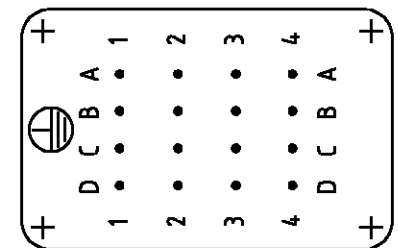
THIS DRAWING IS UNPUBLISHED.  
 VERTRAULICHE UNVERÖFFENTLICHTE ZEICHNUNG  
 RELEASED FOR PUBLICATION  
 FREI FUER VERÖFFENTLICHUNG  
 .1997  
 BY AMP INCORPORATED. ALL RIGHTS RESERVED.  
 ALLE RECHTE VORBEHALTEN

MATED WITH:  
 PASSEND ZU:  
 HD.16

LOC	DIST	REVISIONS ÄNDERUNGEN					
A1	-	P	LTR	DATE	DWN	APVD	
PROJEKT NR.:		DESCRIPTION BESCHREIBUNG			DATE	DWN	APVD
-		neu gezeichnet Eg00-0269-01			23.01.01	SR	SM



Kontaktanordnung Ansicht Anschlußseite  
Contact arrangement view from termination side



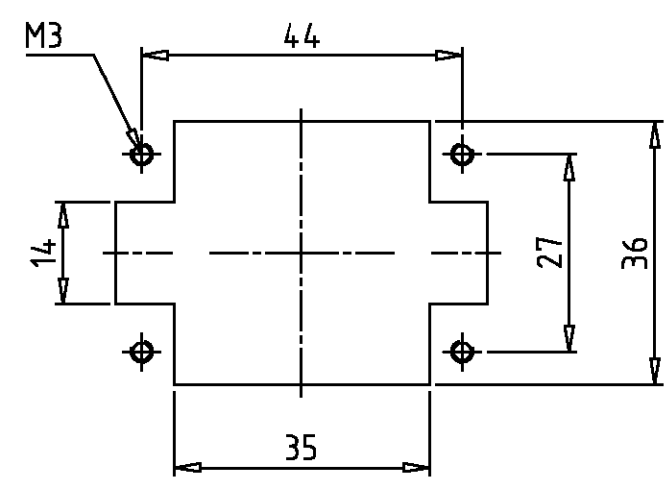
Notes,

- 1 Material: insert, PC  
UL-File Nr.: E101788(R)
- 2 use contact-type: HD.M

Bemerkungen,

- 1 Material: Einsatz: PC  
UL-File Nr.: E101788(R)
- 2 Kontakte: Serie HD.M

Montageausschnitt bei Verwendung ohne Gehäuse  
Panel cut-out for contact insert when used without housing



1	Stifteinsatz HD.16 Crimp	△	hellbeige	1	-	
2-3	DESCRIPTION / BENENNUNG	MATERIAL	COLOR / FARBE	ITEM NO. POS.	REMARKS / BEMERKUNGEN	
HD.16.Sti.C	<small>THIS DRAWING IS A CONTROLLED DOCUMENT FOR AMP INCORPORATED. IT IS SUBJECT TO CHANGE AND THE CONTROLLING ENGINEERING ORGANIZATION SHOULD BE CONTACTED FOR THE LATEST REVISION. DIESES ZEICHNUNGSKOPFSTÜCK WIRD DURCH AMP INCORPORATED KONTROLLIERT. ÄNDERUNGEN, DIE DEM TECHNISCHEN FORTSCHRITT DIENEN, SIND VORBEHALTEN. DEN JEWILIG LETZTGÜLTIGEN ÄNDERUNGSSTAND ERFAHREN SIE AUF ANFRAGE.</small>		DWN	23.01.01	HTS Elektrotechnik 53819 Neunkirchen, Germany	
	DIMENSIONS: DIMENSIONEN: mm		CHK			
	<small>TOLERANCES UNLESS OTHERWISE SPECIFIED:                  ALL GEMEINTOLERANZEN                  n. ISO 8015                  n. ISO 2768 - mH - E                  n. DIN 16901 - 140</small>		APVD	-	NAME Male insert Stifteinsatz HD.16	
			PRODUCT SPEC			
	MATERIAL		APPLICATION SPEC		SIZE	CAGE CODE
-		FINISH / OBERFLÄCHE/FARBE		A3	00779	©=1103006
		WEIGHT		RESTRICTED TO NUR FUER		
		GEWICHT		CUSTOMER DRAWING / KUNDENZEICHNUNG		
				MASSTAB	1:1	BLATT
						1
				OF		1
				VON		1
				REV		A1