



Chipsmall Limited consists of a professional team with an average of over 10 year of expertise in the distribution of electronic components. Based in Hongkong, we have already established firm and mutual-benefit business relationships with customers from,Europe,America and south Asia,supplying obsolete and hard-to-find components to meet their specific needs.

With the principle of “Quality Parts,Customers Priority,Honest Operation,and Considerate Service”,our business mainly focus on the distribution of electronic components. Line cards we deal with include Microchip,ALPS,ROHM,Xilinx,Pulse,ON,Everlight and Freescale. Main products comprise IC,Modules,Potentiometer,IC Socket,Relay,Connector.Our parts cover such applications as commercial,industrial, and automotives areas.

We are looking forward to setting up business relationship with you and hope to provide you with the best service and solution. Let us make a better world for our industry!



## Contact us

Tel: +86-755-8981 8866 Fax: +86-755-8427 6832

Email & Skype: info@chipsmall.com Web: www.chipsmall.com

Address: A1208, Overseas Decoration Building, #122 Zhenhua RD., Futian, Shenzhen, China



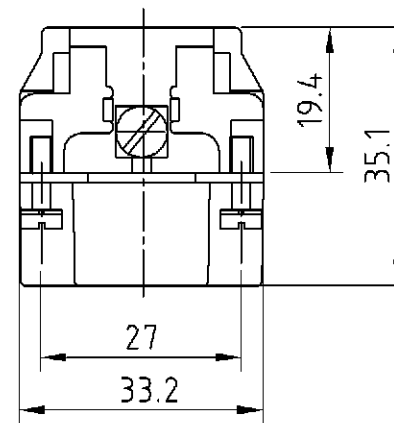
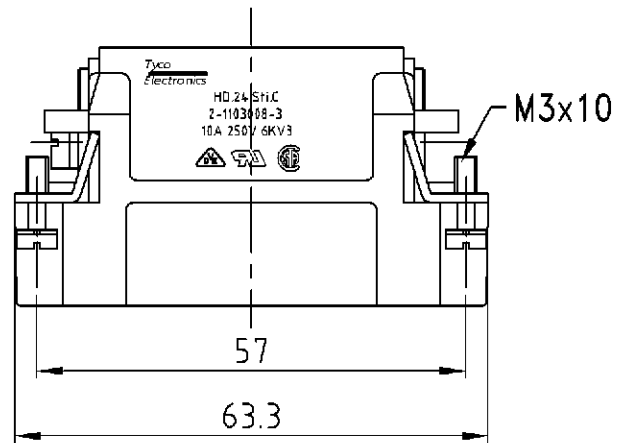
THIS DRAWING IS UNPUBLISHED.  
VERTRÄULICHE UNVERÖFFENTLICHTE ZEICHNUNG

RELEASED FOR PUBLICATION  
FREI FUER VERÖFFENTLICHUNG  
1997

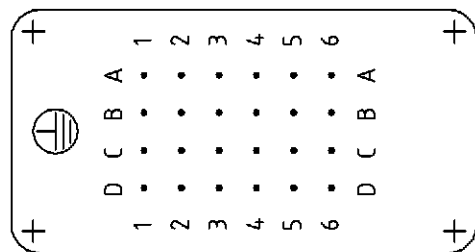
MATED WITH:  
PASSEND ZU:  
HD.24

LOC		DIST		REVISIONS ÄNDERUNGEN			DATE	DWN	APVD
P	LTR	DESCRIPTION BESCHREIBUNG							
-	A3	Printing new ECR-06-003539			13.02.06	SR	ST		

**Maßbild**  
**Outline drawing**



**Kontaktanordnung** Ansicht Anschlußseite  
**Contact arrangement** view from termination side



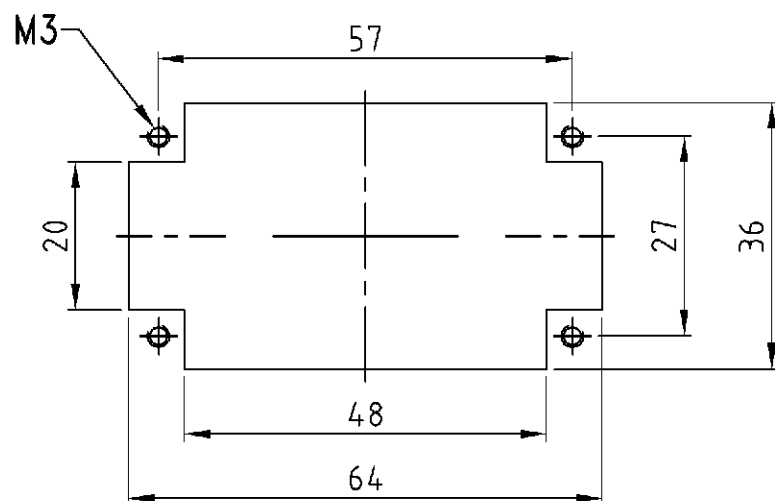
Notes,

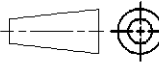
- ① Material: insert, PC  
UL-File Nr.: E101788(R)
- ② use contact-type: HD.M

Bemerkungen,

- ① Material: Einsatz: PC  
UL-File Nr.: E101788(R)
- ② Kontakte: Serie HD.M

**Montageausschnitt** bei Verwendung ohne Gehäuse  
**Panel cut-out** for contact insert when used without housing



1	Stifteinsatz HD.24 Crimp	①	BEIGE	1	-	
2-3	DESCRIPTION / BENENNUNG	MATERIAL	COLOR / FARBE	ITEM NO. POS.	REMARKS / BEMERKUNGEN	
HD.24.Stic	<small>THIS DRAWING IS A CONTROLLED DOCUMENT FOR AMP INCORPORATED. IT IS SUBJECT TO CHANGE AND THE CONTROLLING ENGINEERING ORGANIZATION SHOULD BE CONTACTED FOR THE LATEST REVISION. DIESES ZEICHNUNGSDOKUMENT WIRD DURCH AMP INCORPORATED KONTROLLIERT. ÄNDERUNGEN, DIE DEM TECHNISCHEN FORTSCHRITT DIENEN, SIND VORBEHALTEN. DEN JEWELNS LETZTGÜLTIGEN ÄNDERUNGSSTAND ERFAHREN SIE AUF ANFRAGE.</small> <b>DIMENSIONS:</b> DIMENSIONEN: mm  <b>TOLERANCES UNLESS OTHERWISE SPECIFIED:</b> ALLGEMEINTOLERANZEN p. ISO 8015 p. ISO 2768 - mH - E p. DIN 16901 - 14.0 <b>ANGLES / WINKEL #</b> FINISH / OBERFLÄCHE / FARBE <b>MATERIAL</b>				DWN Rösgen 19.08.1998	<b>AMP</b> HTS Elektrotechnik 53819 Neunkirchen, Germany  <b>MALE INSERT</b> STIFTEINSATZ HD.24  <b>SIZE</b> A3 <b>CAGE CODE</b> 00779 <b>DRAWING NO</b> C-1103008 <small>RESTRICTED TO NUR FUER</small>
					CHK 15.11.04	
					APVD 15.11.04	
					PRODUCT SPEC 108-74002 APPLICATION SPEC 114-74000	
					WEIGHT 54 g	
			CUSTOMER DRAWING			<b>MATERIAL</b> <b>COLOR / FARBE</b> <b>ITEM NO. POS.</b> <b>REMARKS / BEMERKUNGEN</b> <b>MASSSTAB</b> 1:1 <b>BLATT</b> 1 <b>DF VON</b> 1 <b>REV</b> A3