



Chipsmall Limited consists of a professional team with an average of over 10 year of expertise in the distribution of electronic components. Based in Hongkong, we have already established firm and mutual-benefit business relationships with customers from,Europe,America and south Asia,supplying obsolete and hard-to-find components to meet their specific needs.

With the principle of “Quality Parts,Customers Priority,Honest Operation,and Considerate Service”,our business mainly focus on the distribution of electronic components. Line cards we deal with include Microchip,ALPS,ROHM,Xilinx,Pulse,ON,Everlight and Freescale. Main products comprise IC,Modules,Potentiometer,IC Socket,Relay,Connector.Our parts cover such applications as commercial,industrial, and automotives areas.

We are looking forward to setting up business relationship with you and hope to provide you with the best service and solution. Let us make a better world for our industry!



## Contact us

Tel: +86-755-8981 8866 Fax: +86-755-8427 6832

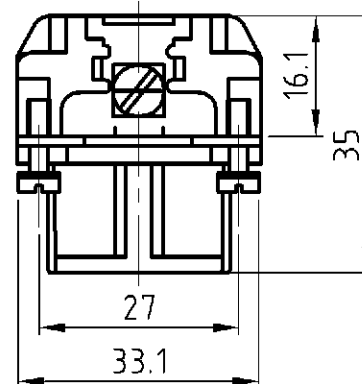
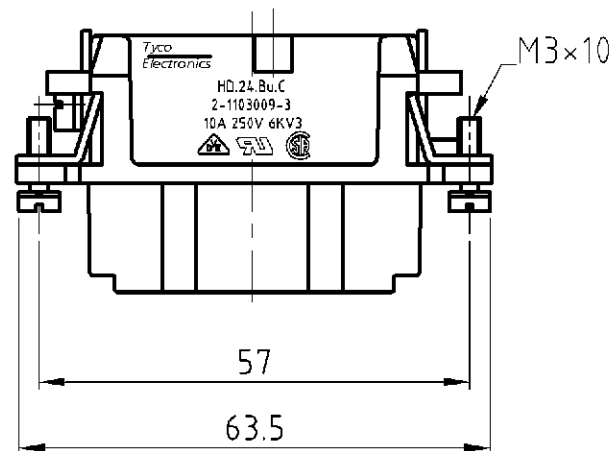
Email & Skype: info@chipsmall.com Web: www.chipsmall.com

Address: A1208, Overseas Decoration Building, #122 Zhenhua RD., Futian, Shenzhen, China

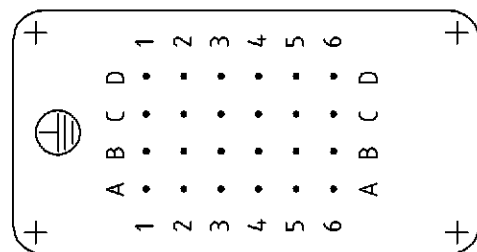


LOC	DIST	REVISIONS AENDERUNGEN			DATE	DWN	APVD
A1	-	P	LTR	DESCRIPTION BESCHREIBUNG			
PROJEKT NR.:		A3	new printing ECR-06-003539		13.02.06	SR	ST

Maßbild  
Outline drawing



Kontaktanordnung  
Contact arrangement  
Ansicht Anschlußseite  
view from termination side



Notes,

1 Material: insert, PC  
UL-File Nr.: E101788(R)

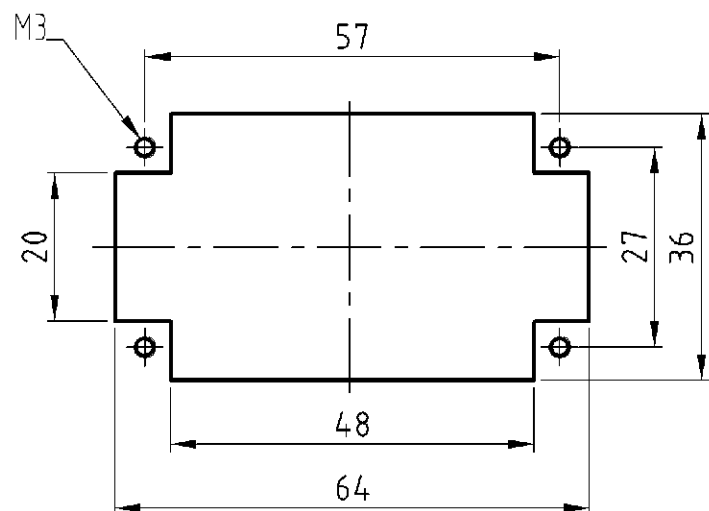
2 contact: use contact-type: HD.M

Bemerkungen,

1 Material: Einsatz: PC  
UL-File Nr.: E101788(R)

2 Kontakte: Serie HD.M

Montageausschnitt  
Panel cut-out for contact insert  
bei Verwendung ohne Gehäuse  
when used without housing



1	Buchseneinsatz HD.24 Crimp	⚠	BEIGE	1	-		
2-3	DESCRIPTION / BENENNUNG	MATERIAL	COLOR / FARBE	ITEM NO. POS.	REMARKS / BEMERKUNGEN		
HD.24.Bu.C	THIS DRAWING IS A CONTROLLED DOCUMENT FOR AMP INCORPORATED. IT IS SUBJECT TO CHANGE AND THE CONTROLLING ENGINEERING ORGANIZATION SHOULD BE CONTACTED FOR THE LATEST REVISION. DIESES ZEICHNUNGSDOKUMENT WIRD DURCH AMP INCORPORATED KONTROLLIERT. AENDERUNGEN, DIE DEM TECHNISCHEN FORTSCHRITT DIENEN, SIND VORBEHALTEN. DEN JEWELNS LETZTGÜLTIGEN AENDERUNGSSTAND ERFAHREN SIE AUF ANFRAGE.		DWN Rösgen CHK	19.08.1998	AMP HTS Elektrotechnik 53819 Neunkirchen, Germany		
	DIMENSIONS: DIMENSIONEN: mm		APVD -		NAME Female insert Buchseneinsatz HD.24		
	TOLERANCES UNLESS OTHERWISE SPECIFIED: ALLGEMEINTOLERANZEN p. ISO 8015 p. ISO 2768 - mH - E p. DIN 16901 - 140		PRODUCT SPEC PRODUKTSPEZ. 108-74002			DRAWING NO ZEICHNUNGS-NR. C=1103009	
	MATERIAL		APPLICATION SPEC VERARBEITUNGSSPEZ. 114-74000	WEIGHT GEWICHT 55 g	SIZE A3	CAGE CODE 00779	RESTRICTED TO NUR FÜR -
	ORDERING TEXT / BESTELLTTEXT		ANGLES / WINKEL # FINISH / OBERFLÄCHE / FARBE	CUSTOMER DRAWING	/KUNDENZEICHNUNG MASSSTAB 1:1 BLATT 1 OF VON 1 REV A3		