



Chipsmall Limited consists of a professional team with an average of over 10 year of expertise in the distribution of electronic components. Based in Hongkong, we have already established firm and mutual-benefit business relationships with customers from,Europe,America and south Asia,supplying obsolete and hard-to-find components to meet their specific needs.

With the principle of "Quality Parts,Customers Priority,Honest Operation,and Considerate Service",our business mainly focus on the distribution of electronic components. Line cards we deal with include Microchip,ALPS,ROHM,Xilinx,Pulse,ON,Everlight and Freescale. Main products comprise IC,Modules,Potentiometer,IC Socket,Relay,Connector.Our parts cover such applications as commercial,industrial, and automotives areas.

We are looking forward to setting up business relationship with you and hope to provide you with the best service and solution. Let us make a better world for our industry!



Contact us

Tel: +86-755-8981 8866 Fax: +86-755-8427 6832

Email & Skype: info@chipsmall.com Web: www.chipsmall.com

Address: A1208, Overseas Decoration Building, #122 Zhenhua RD., Futian, Shenzhen, China

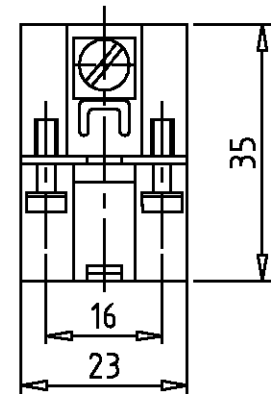
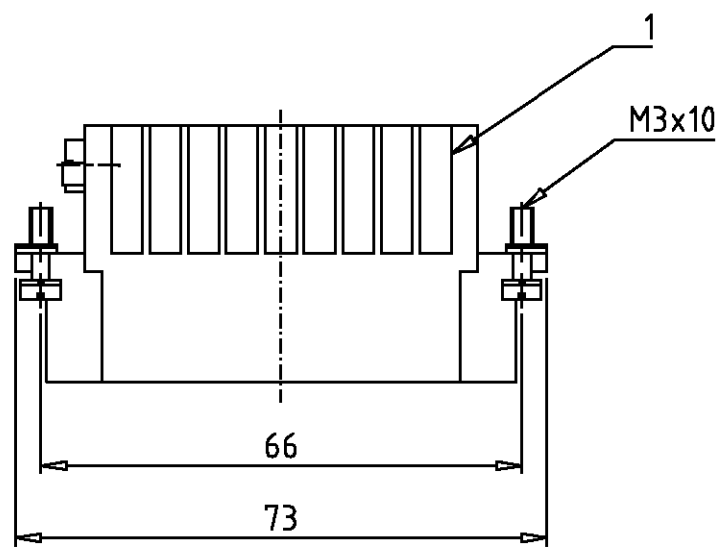


THIS DRAWING IS UNPUBLISHED.
 VERTRAULICHE UNVERÖFFENTLICHTE ZEICHNUNG
 © COPYRIGHT 1997
 BY AMP INCORPORATED.
 ALL RIGHTS RESERVED.
 ALLE RECHTE VORBEHALTEN

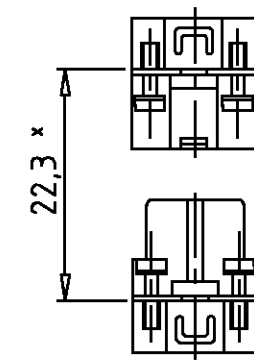
.1997

MATED WITH:
 PASSEND ZU:
 HD.25

LOC A1	DIST -	REVISIONS ÄNDERUNGEN		
PROJEKT NR.: -	P A1	LTR -	DESCRIPTION BESCHREIBUNG neu gezeichnet Eg00-1892-01	DATE 25.06.01
			DWN SR	APVD SM



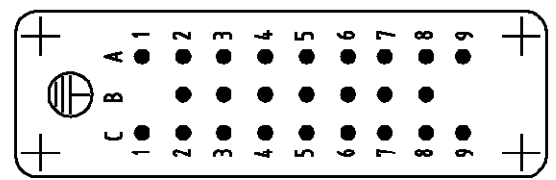
Montagehinweis
 Assembling instruction



* Abstand für sichere Kontakt-
 gabe max: 24 mm

Kontaktanordnung
 Contact arrangement

Ansicht Anschlußseite
 view from termination side



Notes:

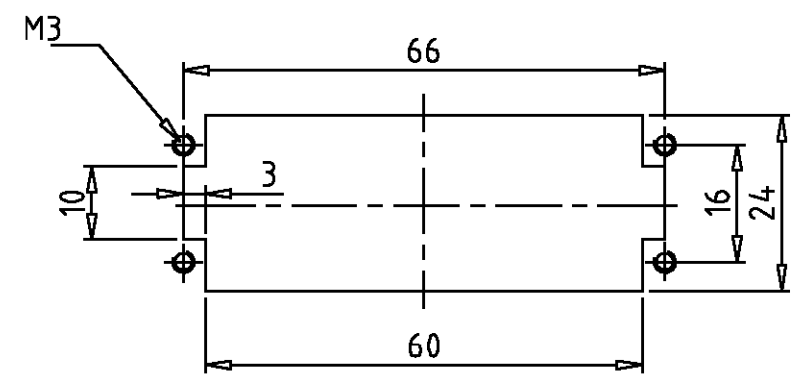
- 1 Material: insert, PC
 UL-File Nr.: E101788(R)
- 2 Finish: zinc plated
 contact: Ag, Au

Bemerkungen:

- 1 Material: Einsatz: PC
 UL-File Nr.: E101788(R)
- 2 Oberfläche: verzinkt
 Kontakte: Ag, Au

Montageausschnitt
 Panel cut-out for contact insert

bei Verwendung ohne Gehäuse
 when used without housing



1	Stifteinsatz HD.25. Crimp		hellbeige	1	
2-3	DESCRIPTION / BENENNUNG	MATERIAL	COLOR / FARBE	ITEM NO. POS.	REMARKS / BEMERKUNGEN
HD.25.Stf.c	ORDERING TEXT / BESTELLTEXT	<small>THIS DRAWING IS A CONTROLLED DOCUMENT FOR AMP INCORPORATED. IT IS SUBJECT TO CHANGE AND THE CONTROLLING ENGINEERING ORGANIZATION SHOULD BE CONTACTED FOR THE LATEST REVISION. DIESER ZEICHNUNGSKOPF WIRD DURCH AMP INCORPORATED KONTROLLIERT. ÄNDERUNGEN, DIE DEM TECHNISCHEN FORTSCHRITT DIENEN, SIND VORBEHALTEN. DEN JEWIGEN LETZTGÜLTIGEN ÄNDERUNGSSTAND ERFAHREN SIE AUF ANFRAGE.</small>		DWN Schneider 25.06.01	HTS Elektrotechnik 53819 Neunkirchen, Germany
		DIMENSIONS: DIMENSIONEN: mm	TOLERANCES UNLESS OTHERWISE SPECIFIED: ALL GEMEINTOLERANZEN	CHK Schweiger 25.06.01	
			n. ISO 8015 n. ISO 2768 - mH -E n. DIN 16901 - 140 0 PLC 1 PLC 2 PLC 3 PLC	APVD -	
		MATERIAL	FINISH / OBERFLÄCHE / FARBE	PRODUCT SPEC PRODUKTSPEZ. -	
				APPLICATION SPEC VERARBEITUNGSSPEZ. -	
			WEIGHT GEWICHT 57 g	NAME Male insert HD.25 Stifteinsatz HD.25	
			CUSTOMER DRAWING	SIZE A3	DRAWING NO. ZEICHNUNGS-NR. C=1103010
				CAGE CODE 00779	RESTRICTED TO NUR FUER -
				MASSTAB 1:1	BLATT 1
				OF VON 1	REV A1