



Chipsmall Limited consists of a professional team with an average of over 10 year of expertise in the distribution of electronic components. Based in Hongkong, we have already established firm and mutual-benefit business relationships with customers from,Europe,America and south Asia,supplying obsolete and hard-to-find components to meet their specific needs.

With the principle of “Quality Parts,Customers Priority,Honest Operation,and Considerate Service”,our business mainly focus on the distribution of electronic components. Line cards we deal with include Microchip,ALPS,ROHM,Xilinx,Pulse,ON,Everlight and Freescale. Main products comprise IC,Modules,Potentiometer,IC Socket,Relay,Connector.Our parts cover such applications as commercial,industrial, and automotives areas.

We are looking forward to setting up business relationship with you and hope to provide you with the best service and solution. Let us make a better world for our industry!



## Contact us

Tel: +86-755-8981 8866 Fax: +86-755-8427 6832

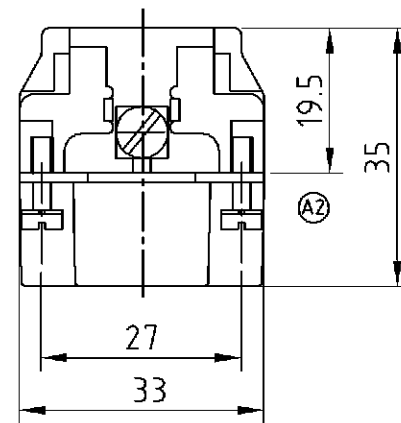
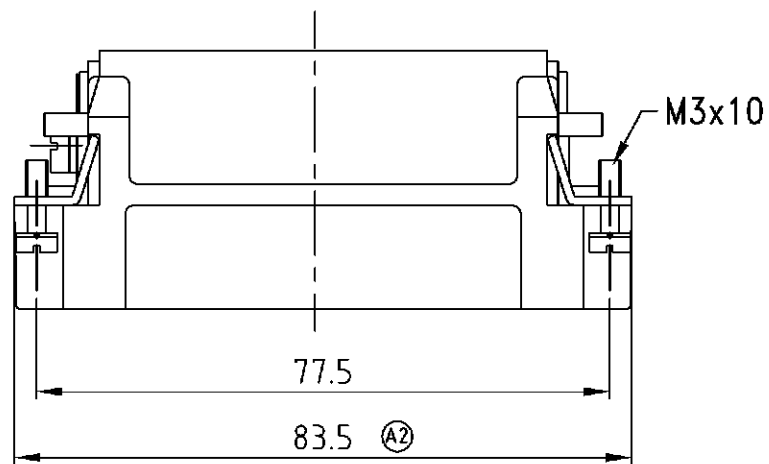
Email & Skype: info@chipsmall.com Web: www.chipsmall.com

Address: A1208, Overseas Decoration Building, #122 Zhenhua RD., Futian, Shenzhen, China

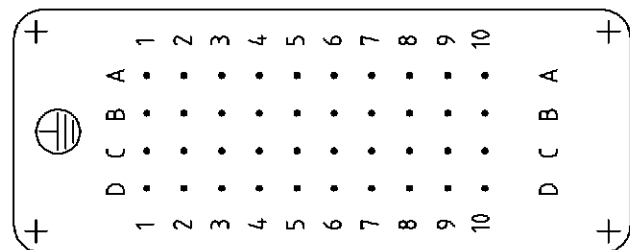


REVISIONS			DATE	DWN	APVD
AENDERUNGEN	DESCRIPTION	BESCHREIBUNG			
P	LTR				
	A2	Dimension changed EGD0-1121-04	15.11.04	AR	SM

Maßbild  
 Outline drawing



Kontaktanordnung Ansicht Anschlußseite  
 Contact arrangement view from termination side



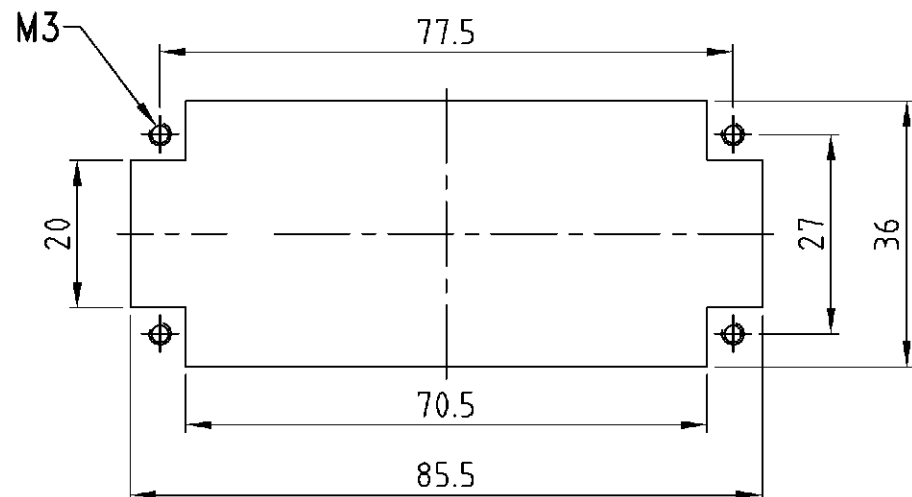
Notes,

- ① Material: insert, PC  
 UL-File Nr.: E101788(R)
- ② use contact-type: HD.M

Bemerkungen,

- ① Material: Einsatz: PC  
 UL-File Nr.: E101788(R)
- ② Kontakte: Serie HD.M

Montageausschnitt bei Verwendung ohne Gehäuse  
 Panel cut-out for contact insert when used without housing



1	Stifteinsatz HD.40 Crimp	①	BEIGE	1	-		
2-3	DESCRIPTION / BENENNUNG	MATERIAL	COLOR / FARBE	ITEM NO. POS.	REMARKS / BEMERKUNGEN		
HD.40.Sti.C	<small>THIS DRAWING IS A CONTROLLED DOCUMENT FOR AMP INCORPORATED. IT IS SUBJECT TO CHANGE AND THE CONTROLLING ENGINEERING ORGANIZATION SHOULD BE CONTACTED FOR THE LATEST REVISION. DIESES ZEICHNUNGSDOKUMENT WIRD DURCH AMP INCORPORATED KONTROLLIERT. AENDERUNGEN, DIE DEM TECHNISCHEN FORTSCHRITT DIENEN, SIND VORBEHALTEN. DEN JEWELIG LETZTQUELTIGEN AENDERUNGSSTAND ERFAHREN SIE AUF ANFRAGE.</small>		DWN Rösgen	10.08.1998	HTS Elektrotechnik 53819 Neunkirchen, Germany		
	DIMENSIONS: DIMENSIONEN: mm		CHK	APVD	NAME		
	<small>TOLERANCES UNLESS OTHERWISE SPECIFIED: ALLGEMEINTOLERANZEN</small> D.P. ISO 8015 D.P. ISO 2768 - mH - E D.P. DIN 16901 - 140		PRODUCT SPEC PRODUKTSPEZ. 108-74002	MALE INSERT			
	ANGLES / WINKEL #- FINISH / OBERFLAECHE / FARBE		APPLICATION SPEC VERARBEITUNGSSPEZ. 114-74000	SIZE	CAGE CODE	DRAWING NO ZEICHNUNGS-NR.	RESTRICTED TO NUR FUER
	MATERIAL		WEIGHT GEWICHT 87 g	A3	00779	C-1103012	-
ORDERING TEXT / BESTELLETEXT		CUSTOMER DRAWING		/KUNDENZEICHNUNG		MASSSTAB 1:1 BLATT 1 OF 1 REV A2	