



Chipsmall Limited consists of a professional team with an average of over 10 year of expertise in the distribution of electronic components. Based in Hongkong, we have already established firm and mutual-benefit business relationships with customers from,Europe,America and south Asia,supplying obsolete and hard-to-find components to meet their specific needs.

With the principle of “Quality Parts,Customers Priority,Honest Operation,and Considerate Service”,our business mainly focus on the distribution of electronic components. Line cards we deal with include Microchip,ALPS,ROHM,Xilinx,Pulse,ON,Everlight and Freescale. Main products comprise IC,Modules,Potentiometer,IC Socket,Relay,Connector.Our parts cover such applications as commercial,industrial, and automotives areas.

We are looking forward to setting up business relationship with you and hope to provide you with the best service and solution. Let us make a better world for our industry!



Contact us

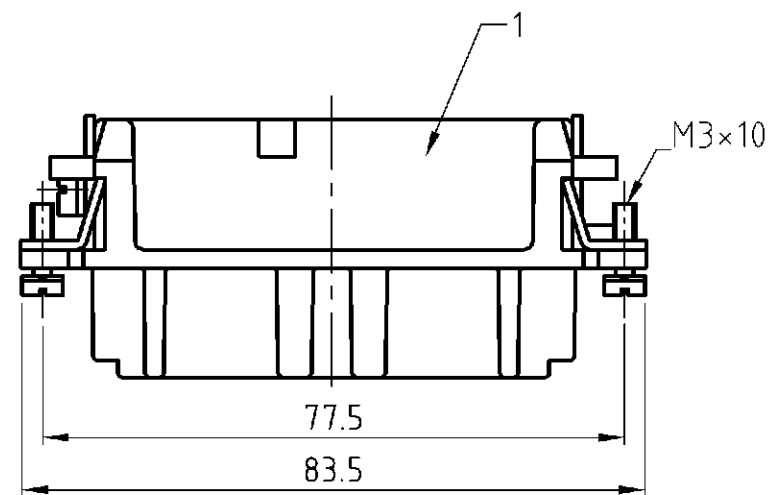
Tel: +86-755-8981 8866 Fax: +86-755-8427 6832

Email & Skype: info@chipsmall.com Web: www.chipsmall.com

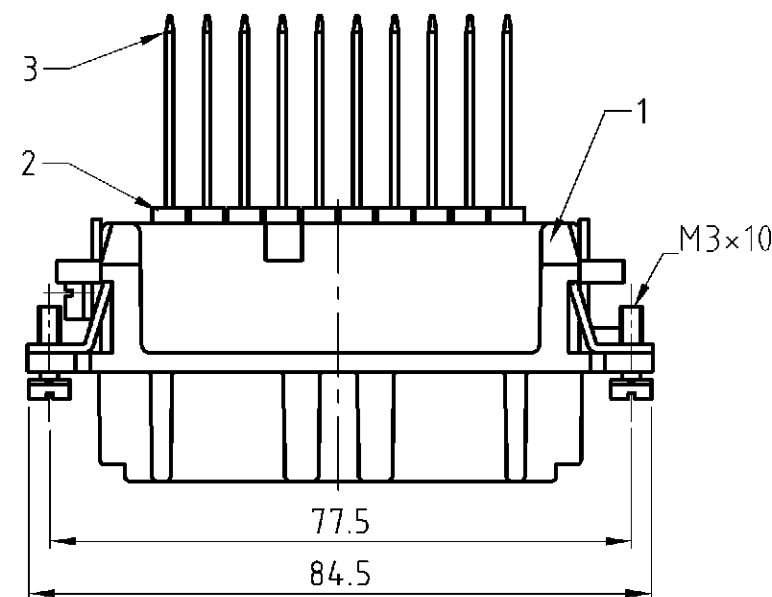
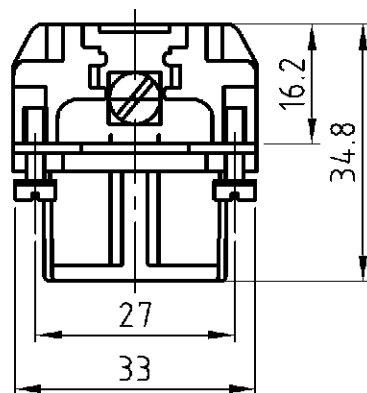
Address: A1208, Overseas Decoration Building, #122 Zhenhua RD., Futian, Shenzhen, China



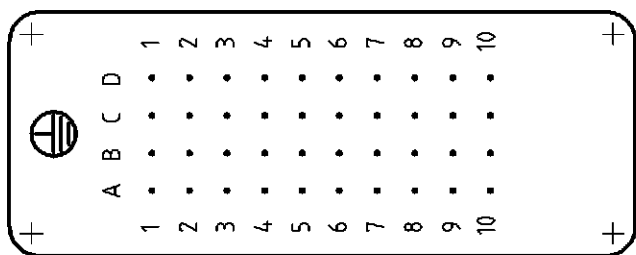
LOC	DIST	REVISIONS			
P	LTR	DESCRIPTION	DATE	DWN	APVD
AI	-				
PROJEKT NR:		Dimension changed	EgD0-1121-04	16.11.04	SR SM



Kontaktanordnung
Contact arrangement
Ansicht Anschlußseite
view from termination side



(A3)



Montageausschnitt
Panel cut-out for contact insert
bei Verwendung ohne Gehäuse
when used without housing

Notes,

1 Material: insert, PC
UL-File Nr.: E101788(R)

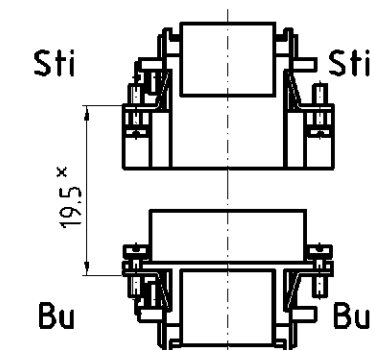
2 contact: use contact-type: HD.M

Bemerkungen,

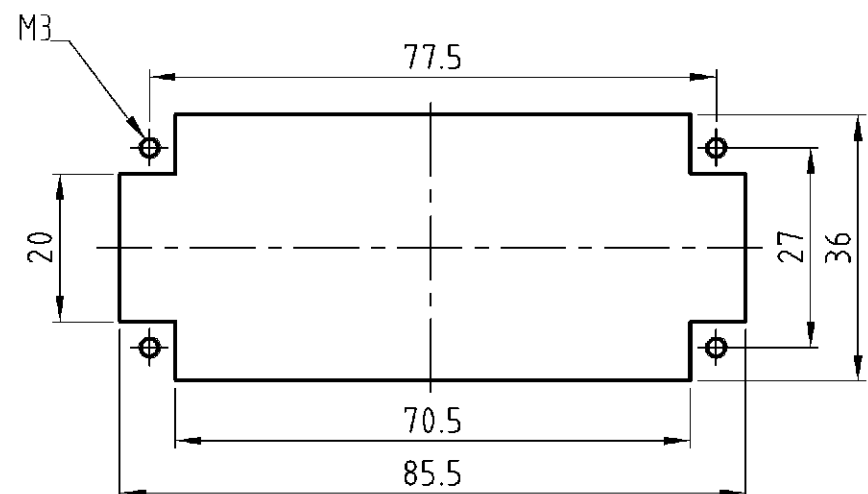
1 Material: Einsatz: PC
UL-File Nr.: E101788(R)

2 Kontakte: Serie HD.M

Montagehinweis



× Abstand für sichere Kontakt-
gabe max: 21 mm



40	Kontaktbuchse mit Wickelpfosten/con. socket with wire wrap terminal			3	
5	Deckelplatte/cover tab	1	beige	2	
1	Buchseneinsatz HD/socket insert	1	beige	1	

4-12-3		DESCRIPTION / BENENNUNG	MATERIAL	COLOR / FARBE	ITEM NO. POS.	REMARKS / BEMERKUNGEN
HD-WW.40.Bu.C.CW	ORDERING TEXT / BESTELLTEXT	THIS DRAWING IS A CONTROLLED DOCUMENT FOR AMP INCORPORATED. IT IS SUBJECT TO CHANGE AND THE CONTROLLING ENGINEERING ORGANIZATION SHOULD BE CONTACTED FOR THE LATEST REVISION. DIESES ZEICHNUNGSDOKUMENT WIRD DURCH AMP INCORPORATED KONTROLLIERT. ÄNDERUNGEN, DIE DEM TECHNISCHEN FORTSCHRITT DIENEN, SIND VORBEHALTEN. DEN JEWEL'S LETZTQUELTIGEN ÄNDERUNGSSTAND ERFAHREN SIE AUF ANFRAGE.	DWN Schneider	10.11.1997	AMP HTS Elektrotechnik 53819 Neunkirchen, Germany	
HD.40.Bu.C		DIMENSIONS: DIMENSIONEN: mm	CHK Kramer	02.06.98	NAME FEMALE INSERT Buchseneinsatz HD.40.Bu.C	
		TOLERANCES UNLESS OTHERWISE SPECIFIED: ALLGEMEINTOLERANZEN P. ISO 9015 D. ISO 2768 - mH - E D. DIN 16901 - 140	APVD -		PRODUCT SPEC PRODUKTSPEZ. 108-74002	
		0 PLC # - 1 PLC # - 2 PLC # - 3 PLC # -			APPLICATION SPEC VERARBEITUNGSSPEZ 114-74000	
		ANGLES / WINKEL # - FINISH / OBERFLAECHE / FARBE	WEIGHT GEWICHT 69 g	A3	00779	DRAWING NO ZEICHNUNGS-NR. C-1103013
			CUSTOMER DRAWING	/KUNDENZEICHNUNG		RESTRICTED TO NUR FUER -
				MASSSTAB 1:1	BLATT 1	OF 1
						REV A3