



Chipsmall Limited consists of a professional team with an average of over 10 year of expertise in the distribution of electronic components. Based in Hongkong, we have already established firm and mutual-benefit business relationships with customers from,Europe,America and south Asia,supplying obsolete and hard-to-find components to meet their specific needs.

With the principle of “Quality Parts,Customers Priority,Honest Operation,and Considerate Service”,our business mainly focus on the distribution of electronic components. Line cards we deal with include Microchip,ALPS,ROHM,Xilinx,Pulse,ON,Everlight and Freescale. Main products comprise IC,Modules,Potentiometer,IC Socket,Relay,Connector.Our parts cover such applications as commercial,industrial, and automotives areas.

We are looking forward to setting up business relationship with you and hope to provide you with the best service and solution. Let us make a better world for our industry!



Contact us

Tel: +86-755-8981 8866 Fax: +86-755-8427 6832

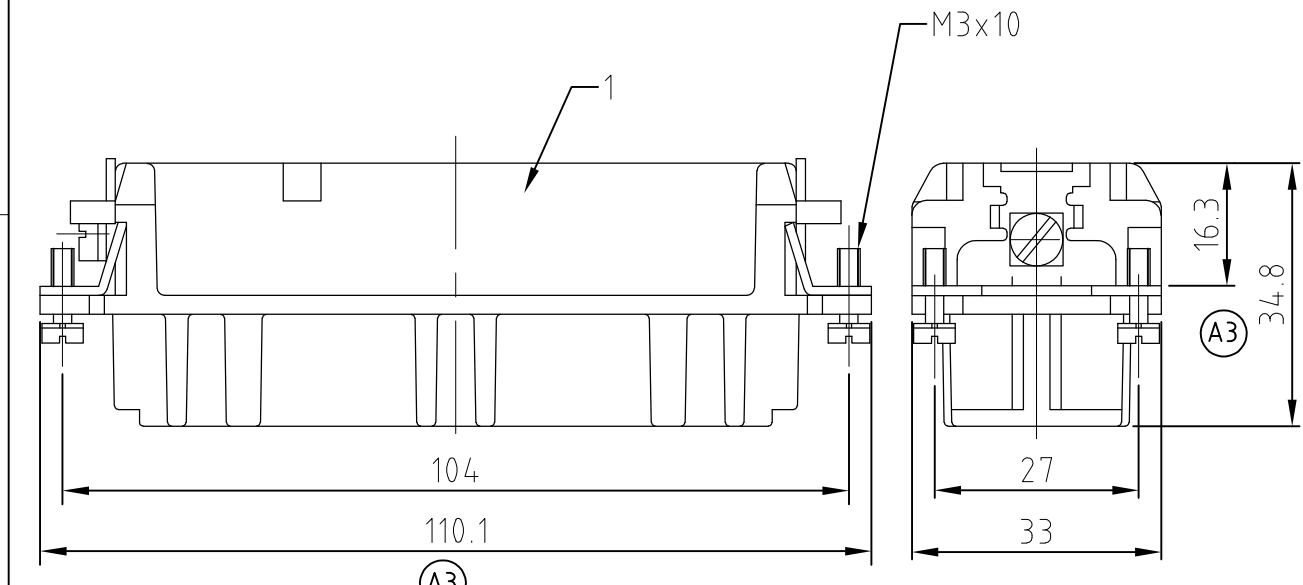
Email & Skype: info@chipsmall.com Web: www.chipsmall.com

Address: A1208, Overseas Decoration Building, #122 Zhenhua RD., Futian, Shenzhen, China

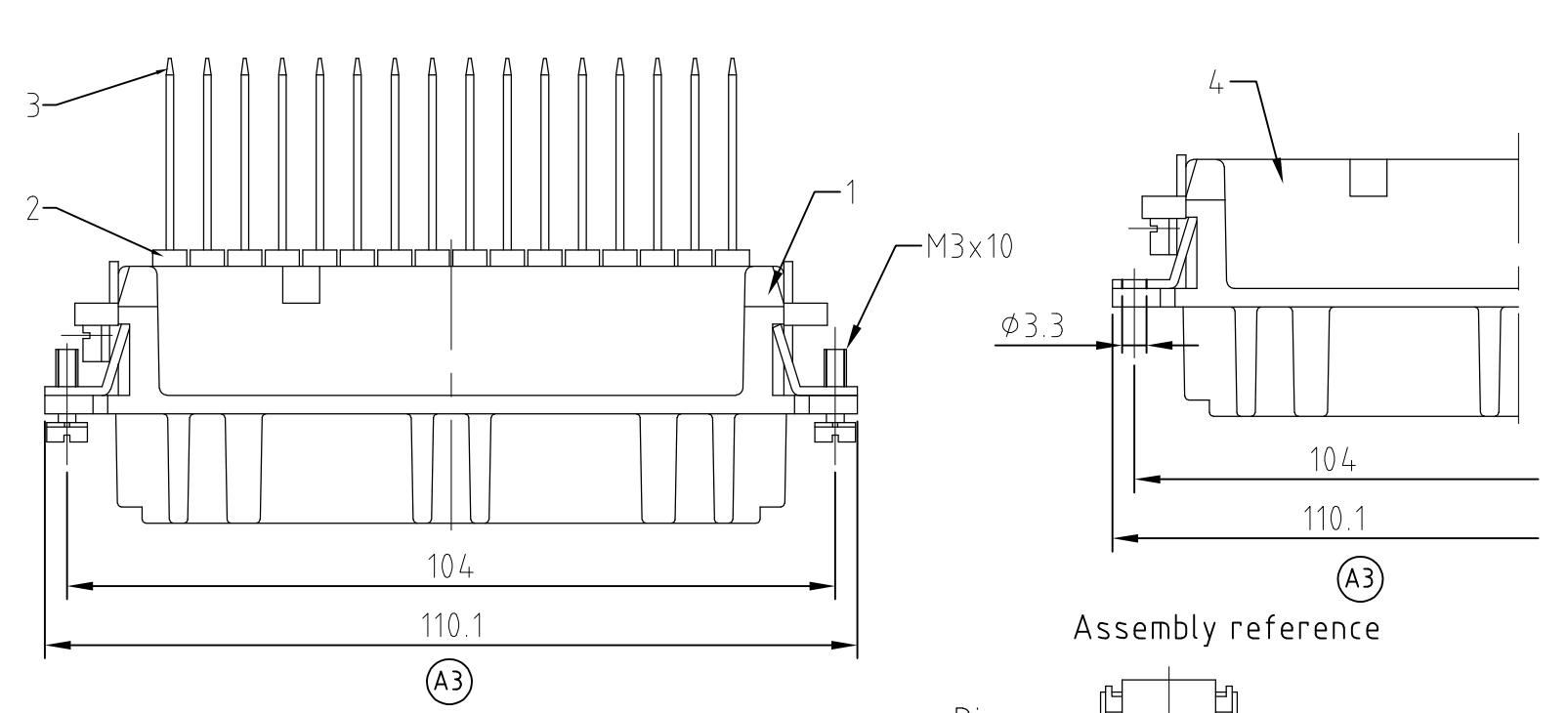


THIS DRAWING IS UNPUBLISHED. RELEASED FOR PUBLICATION
 © COPYRIGHT BY TYCO ELECTRONICS CORPORATION. ALL INTERNATIONAL RIGHTS RESERVED.

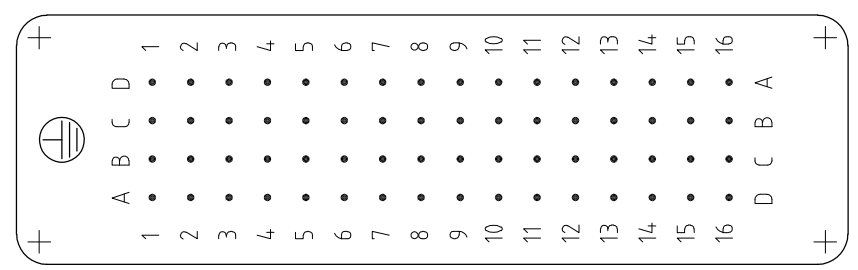
| LOC | DIST | REVISIONS | | | |
|-----|------|-------------|--------------------------------|----------|--------|
| P | LTR | DESCRIPTION | DATE | DWN | APVD |
| A1 | — | A3 | Dimension changed EGD0-1121-04 | 16.11.04 | SM SM |
| | | A4 | REVISED PER ECO-11-002591 | 15FEB11 | HMR MM |



Kontaktanordnung Ansicht Anschlußseite
Contact arrangement view from termination side



Assembly reference

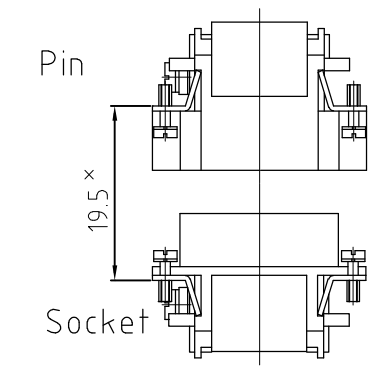


Notes,

- 1 Material: insert, PC
UL-File Nr.: E101788(R)
- 2 use contact-type: HD.M

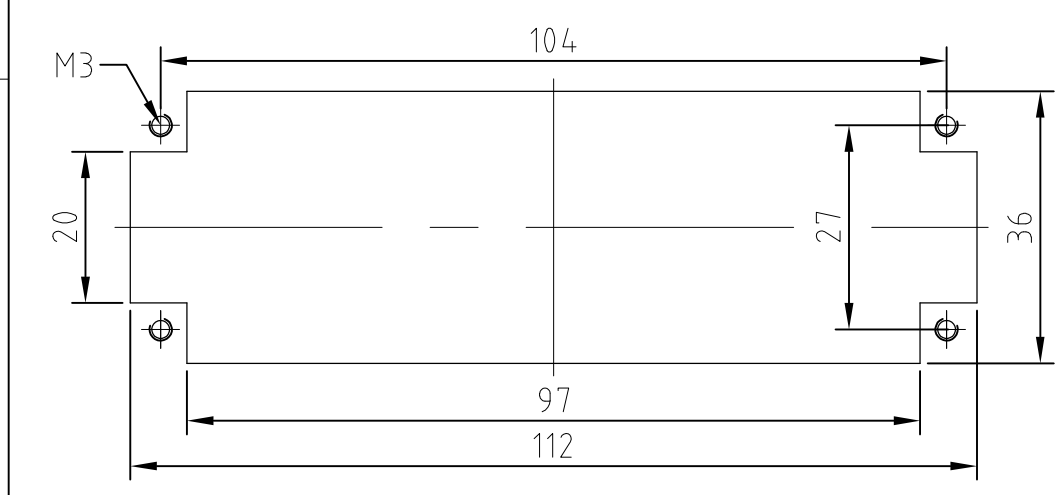
Bemerkungen,

- 1 Material: Einsatz: PC
UL-File Nr.: E101788(R)
- 2 Kontakte: Serie HD.M



x Distance for a safe contact-max: 21 mm

Montageausschnitt bei Verwendung ohne Gehäuse
Panel cut-out for contact insert when used without housing



| QTY | DESCRIPTION / BENENNUNG | MATERIAL | COLOR / FARBE | ITEM NO. POS. | REMARKS / BEMERKUNGEN |
|-----|--|----------|---------------|---------------|---------------------------------------|
| 1 | Buchseneinsatz HD/socket insert | 1 | gray | 4 | without mounting screws / with 4xφ3.3 |
| 64 | Kontaktbuchse mit Wickelpfosten/ con. socket wit wire wrap terminal | | | 3 | |
| 8 | Deckelplatte/cover tab | 1 | gray | 2 | |
| 1 | Buchseneinsatz HD/socket insert | 1 | gray | 1 | |
| 0-1 | 4-1 | 2-3 | | | |

| | | | | | | |
|--|-----------------------------|--|---|---------------|------------|--|
| HD.64.Bu.C/OBS HD-WW.64.Bu.C.CW HD.64.Bu.C | ORDERING TEXT / BESTELLTEXT | THIS DRAWING IS A CONTROLLED DOCUMENT. | | DWN | 18.06.1997 | Tyco Electronics Corporation Harrisburg, Pa 17105-3608 FEMALE INSERT Buchseneinsatz HD.64.Bu.C |
| | | DIMENSIONS: | TOLERANCES UNLESS OTHERWISE SPECIFIED: | CHK | 02.05.98 | |
| | | mm | GENERAL TOLERANCES n. ISO 8015 n. ISO 2768 - mH - E n. DIN 16901 - 140 | APVD | — | |
| | | MATERIAL 1 FINISH 3 | 0 PLC ± 1 PLC ± 2 PLC ± 3 PLC ± ANGLES ± FINISH 3 | PRODUCT SPEC | 108-74002 | |
| | | APPLICATION SPEC | 114-74000 | NAME | | |
| | | WEIGHT | 87g | SIZE | A3 | |
| | | CUSTOMER DRAWING | | CAGE CODE | 00779 | |
| | | | | DRAWING NO | G-1103033 | |
| | | | | RESTRICTED TO | — | |
| | | | | SCALE | 1:1 | |
| | | | | SHEET | 1 OF 1 | |
| | | | | REV | A4 | |