



Chipsmall Limited consists of a professional team with an average of over 10 year of expertise in the distribution of electronic components. Based in Hongkong, we have already established firm and mutual-benefit business relationships with customers from,Europe,America and south Asia,supplying obsolete and hard-to-find components to meet their specific needs.

With the principle of "Quality Parts,Customers Priority,Honest Operation,and Considerate Service",our business mainly focus on the distribution of electronic components. Line cards we deal with include Microchip,ALPS,ROHM,Xilinx,Pulse,ON,Everlight and Freescale. Main products comprise IC,Modules,Potentiometer,IC Socket,Relay,Connector.Our parts cover such applications as commercial,industrial, and automotives areas.

We are looking forward to setting up business relationship with you and hope to provide you with the best service and solution. Let us make a better world for our industry!



Contact us

Tel: +86-755-8981 8866 Fax: +86-755-8427 6832

Email & Skype: info@chipsmall.com Web: www.chipsmall.com

Address: A1208, Overseas Decoration Building, #122 Zhenhua RD., Futian, Shenzhen, China



THIS DRAWING IS UNPUBLISHED.
VERTRAULICHE UNVERÖFFENTLICHTE ZEICHNUNG

RELEASED FOR PUBLICATION
FREI FUER VERÖFFENTLICHUNG
1997

MATED WITH:
PASSEND ZU:
Bg1

LOC
AI

DIST
-

REVISIONS
ÄNDERUNGEN

© COPYRIGHT 1997

BY AMP INCORPORATED.

ALL RIGHTS RESERVED.
ALLE RECHTE VORBEHALTEN

P LTR

A4

DESCRIPTION
BESCHREIBUNG

DATE

DWN

APVD

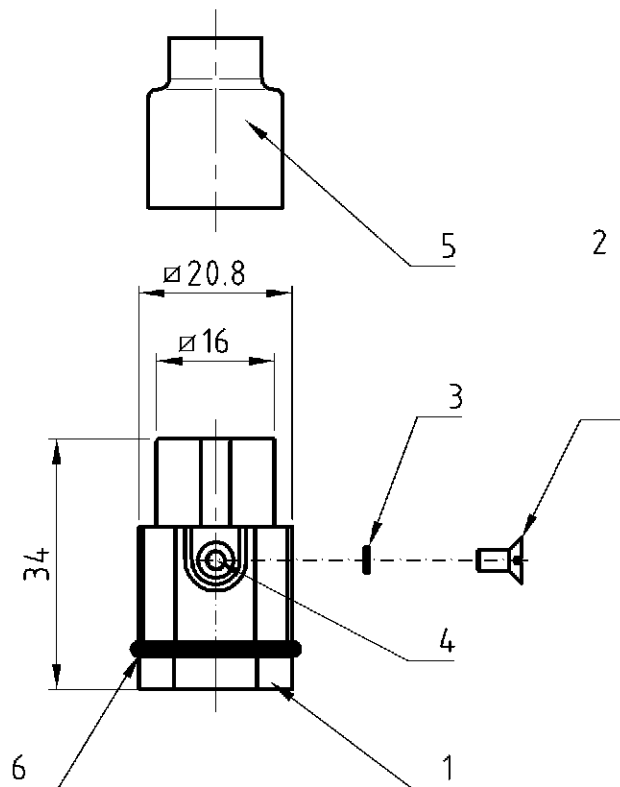
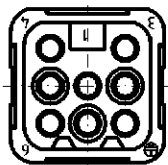
PROJEKT NR.:

DRAWING REWORKED ECR-003409

10.02.06

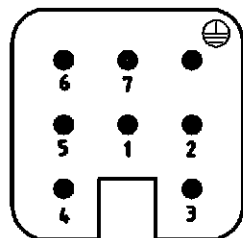
GW

ST



Kontaktanordnung
Contact arrangement

Ansicht Anschlußseite
view from termination side



Notes,

- Material: insert, PC
UL-File Nr.: E101788(R)
- Sealing: Neoprene

Bemerkungen,

- Material: Einsatz: PC
UL-File Nr.: E101788(R)
- Dichtung: Neoprene

SUPERSEDED
by 2-1103102-3

QTY	DESCRIPTION / BENENNUNG	MATERIAL	COLOR / FARBE	ITEM NO. POS.	REMARKS / BEMERKUNGEN
1	Montageanweisung			7	separat in Poly-Beutel
1	Profildichtung	Neoprene	schwarz	6	
1	Isolierhülle	Neoprene	schwarz	5	separat in Poly-Beutel
1	Gewindeinsatz M3x5.5	Messing	blank	4	
1	Fächerscheibe V3.2	V2A	blank	3	separat in Poly-Beutel
1	Senkschraube M3x6	V2A	blank	2	separat in Poly-Beutel
1	Stifteinsatz HN.D.7	Lexan	dunkelgrau	1	-

0-1	2-3	DESCRIPTION / BENENNUNG	MATERIAL	COLOR / FARBE	ITEM NO. POS.	REMARKS / BEMERKUNGEN
HN.D.7.Sti.C-SO		<p>THIS DRAWING IS A CONTROLLED DOCUMENT FOR AMP INCORPORATED. IT IS SUBJECT TO CHANGE AND THE CONTROLLING ENGINEERING ORGANIZATION SHOULD BE CONTACTED FOR THE LATEST REVISION. DIESES ZEICHNUNGSDOKUMENT WIRD DURCH AMP INCORPORATED KONTROLLIERT. ÄNDERUNGEN, DIE DEM TECHNISCHEN FORTSCHRITT DIENEN, SIND VORBEHALTEN. DEN JEWELN LETZTQUELTLICHEN ÄNDERUNGSSTAND ERFAHREN SIE AUF ANFRAGE.</p> <p>DIMENSIONS: DIMENSIONEN: mm</p> <p>TOLERANCES UNLESS OTHERWISE SPECIFIED: ALLGEMEINTOLERANZEN</p> <p>ISO 9015 ISO 2768 - mH - E DIN 16901 - 140</p> <p>ANGLES / WINKEL #</p> <p>FINISH / OBERFLÄCHE / FARBE</p>	DWN	Schneider	09.11.00	<p>AMP HTS Elektrotechnik 53819 Neunkirchen, Germany</p> <p>Male insert Stifteinsatz HN.D.7.Sti.C/250V</p>
HN.D.7.Sti.C/250V			CHK	Schweiger	09.11.00	
ORDERING TEXT / BESTELLTEXT		MATERIAL		APVD		NAME
				PRODUCT SPEC		SIZE
				APPLICATION SPEC		CAGE CODE
				WEIGHT		DRAWING NO
				CUSTOMER DRAWING		ZEICHNUNGS-NR.
				/KUNDENZEICHNUNG		REVISIONS
				MASSSTAB		DATE
				BLATT		DWN
				DF		APVD
				VON		REV
				11		A4