



Chipsmall Limited consists of a professional team with an average of over 10 year of expertise in the distribution of electronic components. Based in Hongkong, we have already established firm and mutual-benefit business relationships with customers from,Europe,America and south Asia,supplying obsolete and hard-to-find components to meet their specific needs.

With the principle of “Quality Parts,Customers Priority,Honest Operation,and Considerate Service”,our business mainly focus on the distribution of electronic components. Line cards we deal with include Microchip,ALPS,ROHM,Xilinx,Pulse,ON,Everlight and Freescale. Main products comprise IC,Modules,Potentiometer,IC Socket,Relay,Connector.Our parts cover such applications as commercial,industrial, and automotives areas.

We are looking forward to setting up business relationship with you and hope to provide you with the best service and solution. Let us make a better world for our industry!



Contact us

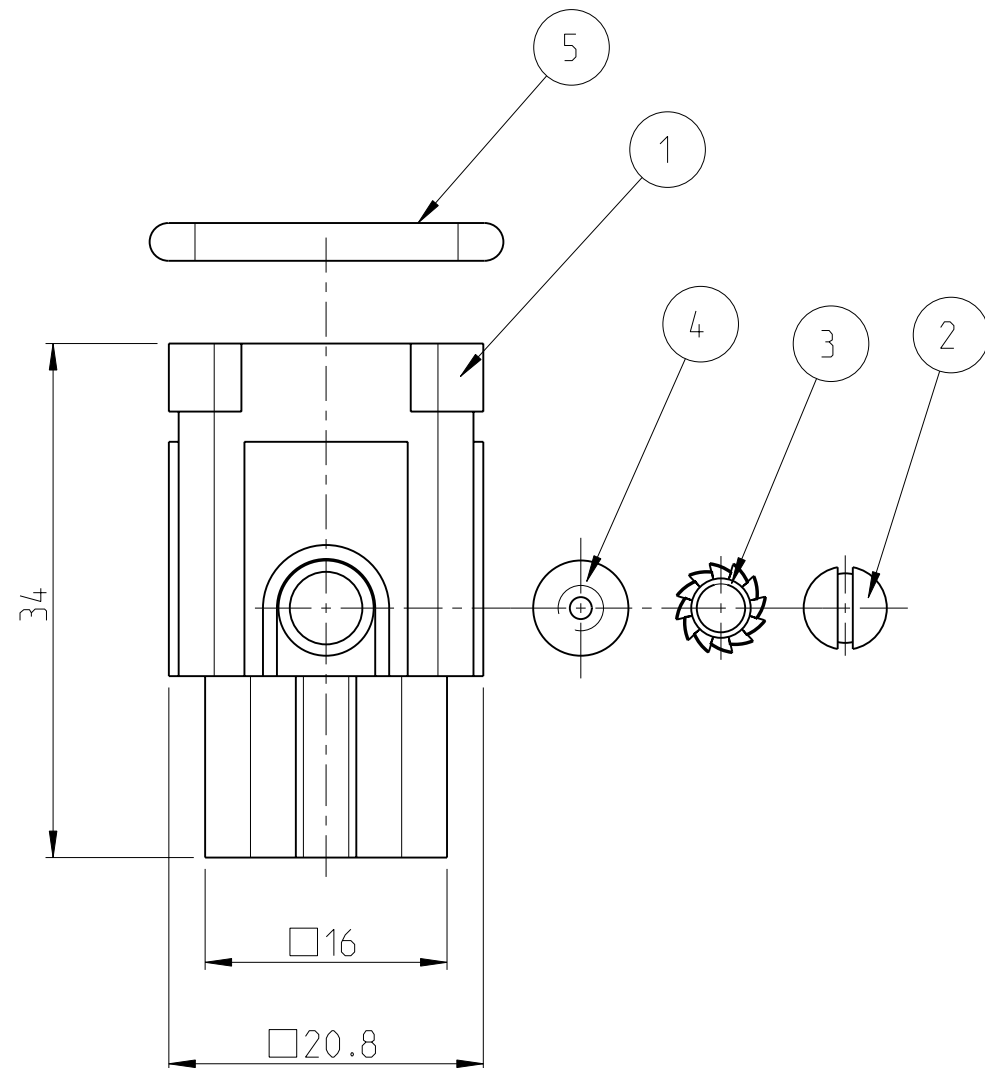
Tel: +86-755-8981 8866 Fax: +86-755-8427 6832

Email & Skype: info@chipsmall.com Web: www.chipsmall.com

Address: A1208, Overseas Decoration Building, #122 Zhenhua RD., Futian, Shenzhen, China

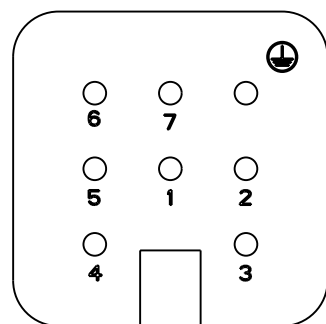


LOC	DIST	REVISIONS			
P	LTR	DESCRIPTION	DATE	DWN	APVD
A1	-	A4	ECR-11-001857	26JAN2011	SR TV



NOTES:
 1 MATERIAL: INSERT, PC
 UL-FILE Nr.: E101788(R)
 SEALING: NEOPRENE

CONTACT ARRANGEMENT VIEW FROM TERMINATION SIDE



1	INSTRUCTION LEAFLET			6	
1	PROFILE SEAL	NEOPRENE	BLACK	5	
1	SCREW THREAD INSERT	BRASS		4	M3x5.5
1	SERRATED LOCK WASHER	STAINL. STEEL		3	V3.2
1	SINK SCREW	STAINL. STEEL		2	M3x6
1	PIN INSERT	LEXAN	LIGHT GREY	1	
2-3	DESCRIPTION	MATERIAL	COLORE	ITEM	NOTES
HD.7.STI.C					

<small>THIS DRAWING IS A CONTROLLED DOCUMENT FOR TYCO ELECTRONICS CORPORATION IT IS SUBJECT TO CHANGE AND THE CONTROLLING ENGINEERING ORGANIZATION SHOULD BE CONTACTED FOR THE LATEST REVISION.</small>		DWN SCHNEIDER 16NOV2009 CHK SCHWEIGER 16NOV2009 APVD - PRODUCT SPEC - APPLICATION SPEC - WEIGHT -	Tyco Electronics AMP GmbH 53757 Sankt Augustin Germany
DIMENSIONS: mm 	TOLERANCES UNLESS OTHERWISE SPECIFIED: 0 PLC ±- 1 PLC ±- 2 PLC ±- 3 PLC ±- 4 PLC ±- ANGLES ±1° MATERIAL - FINISH -	NAME contact arrangement HD.7 HN.D.7.STI.C SIZE A3 CAGE CODE 00779 DRAWING NO ©=1103102 RESTRICTED TO -	
CUSTOMER DRAWING		SCALE 2:1	SHEET 1 OF 1 REV A4