



Chipsmall Limited consists of a professional team with an average of over 10 year of expertise in the distribution of electronic components. Based in Hongkong, we have already established firm and mutual-benefit business relationships with customers from,Europe,America and south Asia,supplying obsolete and hard-to-find components to meet their specific needs.

With the principle of “Quality Parts,Customers Priority,Honest Operation,and Considerate Service”,our business mainly focus on the distribution of electronic components. Line cards we deal with include Microchip,ALPS,ROHM,Xilinx,Pulse,ON,Everlight and Freescale. Main products comprise IC,Modules,Potentiometer,IC Socket,Relay,Connector.Our parts cover such applications as commercial,industrial, and automotives areas.

We are looking forward to setting up business relationship with you and hope to provide you with the best service and solution. Let us make a better world for our industry!



## Contact us

Tel: +86-755-8981 8866 Fax: +86-755-8427 6832

Email & Skype: info@chipsmall.com Web: www.chipsmall.com

Address: A1208, Overseas Decoration Building, #122 Zhenhua RD., Futian, Shenzhen, China

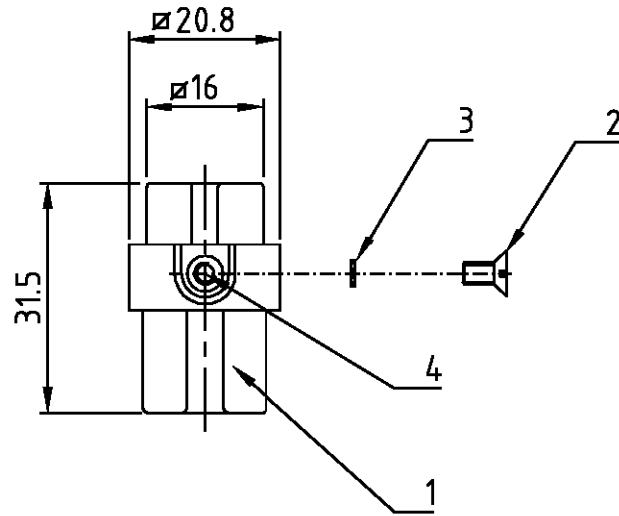


THIS DRAWING IS UNPUBLISHED.  
VERTRAULICHE UNVERÖFFENTLICHTE ZEICHNUNG  
© COPYRIGHT 1997  
BY AMP INCORPORATED. ALL RIGHTS RESERVED.  
ALLE RECHTE VORBEHALTEN

.1997

MATED WITH:  
PASSEND ZU:  
Bg1

LOC A1	DIST -	REVISIONS ÄNDERUNGEN		
P	LTR	DESCRIPTION BESCHREIBUNG	DATE	DWN
PROJEKT NR.:	A2	Zeichnung überarbeitet; Eg00-0835-01	05.03.02	SR
				APVD SM



Notes,

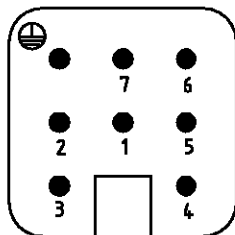
① Material: insert, PC  
UL-File Nr.: E101788(R)

Bemerkungen,

① Material: Einsatz: PC  
UL-File Nr.: E101788(R)

Kontaktanordnung  
Contact arrangement

Ansicht Anschlußseite  
view from termination side



1	Gewindeinsatz M3x5.5	Messing	blank	4	
1	Fächerscheibe V3.2	V2A	blank	3	separat in Poly-Beutel
1	Senkschraube M3x6	V2A	blank	2	separat in Poly-Beutel
1	Buchseinsatz HN.D7	Lexan	dunkelgrau	1	
2-3	DESCRIPTION / BENENNUNG	MATERIAL	COLOR / FARBE	ITEM NO. POS.	REMARKS / BEMERKUNGEN
HN.D.7.Bu.C	<small>THIS DRAWING IS A CONTROLLED DOCUMENT FOR AMP INCORPORATED. IT IS SUBJECT TO CHANGE AND THE CONTROLLING ENGINEERING ORGANIZATION SHOULD BE CONTACTED FOR THE LATEST REVISION. DIESER ZEICHNUNGSKOPF WIRD DURCH AMP INCORPORATED KONTROLLIERT. ÄNDERUNGEN, DIE DEM TECHNISCHEN FORTSCHRITT DIENEN, SIND VORBEHALTEN. DEN JEWILS LETZTGÜLTIGEN ÄNDERUNGSSTAND ERFAHREN SIE AUF ANFRAGE.</small>		DWN Schneider	28.07.1999	HTS Elektrotechnik 53819 Neunkirchen, Germany
	<small>TOLERANCES UNLESS OTHERWISE SPECIFIED: ALL GEMEINTOLERANZEN</small> n. ISO 8015 n. ISO 2768 - mH -E n. DIN 16901 - 140		CHK Schweiger	28.07.1999	
	DIMENSIONS: DIMENSIONEN: mm		APVD -		NAME
			PRODUCT SPEC PRODUKTSPEZ.		Female insert
	MATERIAL		APPLICATION SPEC VERARBEITUNGSSPEZ.		Buchseinsatz HN.D.7.Bu.C
①		②		SIZE A3	CAGE CODE 00779
CUSTOMER DRAWING		/KUNDENZEICHNUNG		DRAWING NO. ZEICHNUNGS-NR. C=1103103	RESTRICTED TO NUR FUER -
		MASSSTAB 1:1		BLATT 1 OF VON 1	REV A2