



Chipsmall Limited consists of a professional team with an average of over 10 year of expertise in the distribution of electronic components. Based in Hongkong, we have already established firm and mutual-benefit business relationships with customers from,Europe,America and south Asia,supplying obsolete and hard-to-find components to meet their specific needs.

With the principle of "Quality Parts,Customers Priority,Honest Operation,and Considerate Service",our business mainly focus on the distribution of electronic components. Line cards we deal with include Microchip,ALPS,ROHM,Xilinx,Pulse,ON,Everlight and Freescale. Main products comprise IC,Modules,Potentiometer,IC Socket,Relay,Connector.Our parts cover such applications as commercial,industrial, and automotives areas.

We are looking forward to setting up business relationship with you and hope to provide you with the best service and solution. Let us make a better world for our industry!



## Contact us

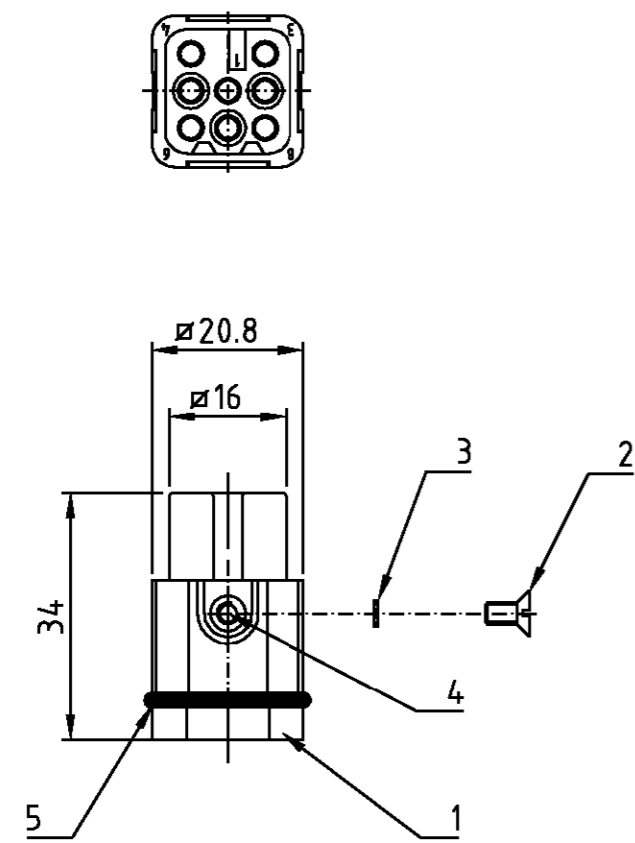
Tel: +86-755-8981 8866 Fax: +86-755-8427 6832

Email & Skype: info@chipsmall.com Web: www.chipsmall.com

Address: A1208, Overseas Decoration Building, #122 Zhenhua RD., Futian, Shenzhen, China

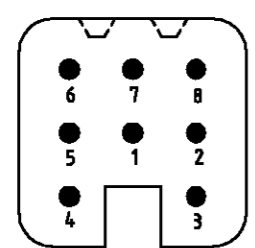


LOC	DIST	REVISIONS ÄNDERUNGEN				
A1	-	P	LTR	DATE	DWN	APVD
PROJEKT NR.:		DESCRIPTION BESCHREIBUNG				
-		Zeichnung überarbeitet; Eg00-1174-02			09.04.02	SR SM



Kontaktanordnung  
Contact arrangement

Ansicht Anschlußseite  
 view from termination side



Notes,  
 ① Material: insert, PC  
 UL-File Nr.: E101788(R)  
 Sealing: Neoprene

Bemerkungen,  
 ① Material: Einsatz: PC  
 UL-File Nr.: E101788(R)  
 Dichtung: Neoprene

1	Profildichtung	Neoprene	schwarz	5	
1	Gewindeinsatz M3x5.5	Messing	blank	4	
1	Fächerscheibe V3.2	V2A	blank	3	separat in Poly-Beutel
1	Senkschraube M3x6	V2A	blank	2	separat in Poly-Beutel
1	Stifteinsatz HN.D.8	Lexan	dunkelgrau	1	

2-3		DESCRIPTION / BENENNUNG	MATERIAL	COLOR / FARBE	ITEM NO. POS.	REMARKS / BEMERKUNGEN	
HN.D.8.Sti.C	ORDERING TEXT / BESTELLTEXT	<small>THIS DRAWING IS A CONTROLLED DOCUMENT FOR AMP INCORPORATED. IT IS SUBJECT TO CHANGE AND THE CONTROLLING ENGINEERING ORGANIZATION SHOULD BE CONTACTED FOR THE LATEST REVISION. DIESER ZEICHNUNGSKOPF WIRD DURCH AMP INCORPORATED KONTROLLIERT. ÄNDERUNGEN, DIE DEM TECHNISCHEN FORTSCHRITT DIENEN, SIND VORBEHALTEN. DEN JEWILS LETZTGÜLTIGEN ÄNDERUNGSSTAND ERFAHREN SIE AUF ANFRAGE.</small>		DWN Schneider	82.03.2001	HTS Elektrotechnik 53819 Neunkirchen, Germany	
		DIMENSIONS: mm		CHK Schweiger	82.03.2001		NAME Male insert
		<small>TOLERANCES UNLESS OTHERWISE SPECIFIED: ALLGEMEINTOLERANZEN</small> n. ISO 8015 n. ISO 2768 - mH -E n. DIN 16901 - 140 0 PLC # 1 PLC # 2 PLC # 3 PLC # ANGLES / WINKEL # FINISH / OBERFLÄCHE / FARBE		APVD -	-		DRAWING NO ZEICHNUNGS-NR. A3 00779 C=1103104
		MATERIAL		APPLICATION SPEC VERARBEITUNGSSPEZ.	-		RESTRICTED TO NUR FUER -
		CUSTOMER DRAWING		/KUNDENZEICHNUNG	MASSSTAB 1:1	BLATT 1 OF 1	