



Chipsmall Limited consists of a professional team with an average of over 10 year of expertise in the distribution of electronic components. Based in Hongkong, we have already established firm and mutual-benefit business relationships with customers from,Europe,America and south Asia,supplying obsolete and hard-to-find components to meet their specific needs.

With the principle of "Quality Parts,Customers Priority,Honest Operation,and Considerate Service",our business mainly focus on the distribution of electronic components. Line cards we deal with include Microchip,ALPS,ROHM,Xilinx,Pulse,ON,Everlight and Freescale. Main products comprise IC,Modules,Potentiometer,IC Socket,Relay,Connector.Our parts cover such applications as commercial,industrial, and automotives areas.

We are looking forward to setting up business relationship with you and hope to provide you with the best service and solution. Let us make a better world for our industry!



## Contact us

Tel: +86-755-8981 8866 Fax: +86-755-8427 6832

Email & Skype: info@chipsmall.com Web: www.chipsmall.com

Address: A1208, Overseas Decoration Building, #122 Zhenhua RD., Futian, Shenzhen, China

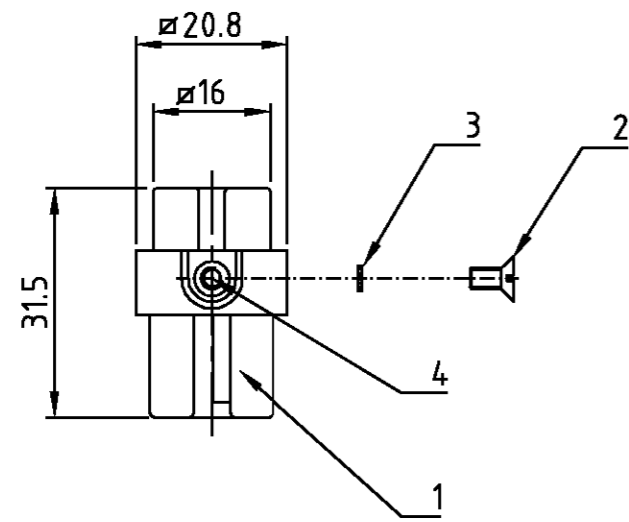
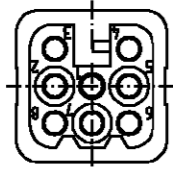


THIS DRAWING IS UNPUBLISHED.  
 VERTRAULICHE UNVERÖFFENTLICHTE ZEICHNUNG  
 © COPYRIGHT 1997

RELEASED FOR PUBLICATION  
 FREI FUER VERÖFFENTLICHUNG  
 BY AMP INCORPORATED. ALL RIGHTS RESERVED.  
 ALLE RECHTE VORBEHALTEN

MATED WITH:  
 PASSEND ZU:  
 Bg1

|              |      |                                      |     |      |          |      |      |
|--------------|------|--------------------------------------|-----|------|----------|------|------|
| LOC          | DIST | REVISIONS<br>ÄNDERUNGEN              |     |      |          |      |      |
| A1           | -    | P                                    | LTR | DATE | DWN      | APVD |      |
| PROJEKT NR.: |      | DESCRIPTION<br>BESCHREIBUNG          |     |      | DATE     | DWN  | APVD |
| -            |      | Zeichnung überarbeitet; Eg00-1174-02 |     |      | 09.04.02 | SR   | SM   |

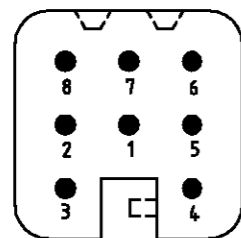


Notes,  
 ① Material: insert, PC  
 UL-File Nr.: E101788(R)

Bemerkungen,  
 ① Material: Einsatz: PC  
 UL-File Nr.: E101788(R)

Kontaktanordnung  
Contact arrangement

Ansicht Anschlußseite  
 view from termination side



|   |                      |         |            |   |                        |
|---|----------------------|---------|------------|---|------------------------|
| 1 | Gewindeinsatz M3x5.5 | Messing | blank      | 4 |                        |
| 1 | Fächerscheibe V3.2   | V2A     | blank      | 3 | separat in Poly-Beutel |
| 1 | Senkschraube M3x6    | V2A     | blank      | 2 | separat in Poly-Beutel |
| 1 | Buchseinsatz HN.D.8  | Lexan   | dunkelgrau | 1 |                        |

|                             |   |  |                              |   |  |
|-----------------------------|---|--|------------------------------|---|--|
| 2-3                         | DESCRIPTION / BENENNUNG   | MATERIAL                               | COLOR / FARBE                | ITEM NO. POS.                                     | REMARKS / BEMERKUNGEN                            |
| HN.D.8.Bu.C                 | <small>THIS DRAWING IS A CONTROLLED DOCUMENT FOR AMP INCORPORATED. IT IS SUBJECT TO CHANGE AND THE CONTROLLING ENGINEERING ORGANIZATION SHOULD BE CONTACTED FOR THE LATEST REVISION. DIESER ZEICHNUNGSKOPF WIRD DURCH AMP INCORPORATED KONTROLLIERT. ÄNDERUNGEN, DIE DEM TECHNISCHEN FORTSCHRITT DIENEN, SIND VORBEHALTEN. DEN JEWILIG LETZTGÜLTIGEN ÄNDERUNGSSTAND ERFAHREN SIE AUF ANFRAGE.</small> |  | DWN                          | 11.12.1998  | HTS Elektrotechnik<br>53819 Neunkirchen, Germany |
|                             | DIMENSIONS:<br>DIMENSIONEN:<br>mm   |  | CHK                          | 11.12.1998  |  |
|                             | TOLERANCES UNLESS OTHERWISE SPECIFIED:<br>ALLGEMEINTOLERANZEN<br>n. ISO 8015<br>n. ISO 2768 - mH -E<br>n. DIN 16901 - 140<br>0 PLC #<br>1 PLC #-<br>2 PLC #-<br>3 PLC #-<br>ANGLES / WINKEL #-<br>FINISH / OBERFLÄCHE / FARBE   |  | APVD                         | -   |  |
|                             | MATERIAL  |  | PRODUCT SPEC<br>PRODUKTSPEZ. | -   |  |
| ORDERING TEXT / BESTELLTEXT |   | APPLICATION SPEC<br>VERARBEITUNGSSPEZ. |                              | NAME<br>Female insert<br>Buchseinsatz HN.D.8.Bu.C |  |
|                             |   | WEIGHT<br>GEWICHT                      | -                            | SIZE<br>A3  | CAGE CODE<br>00779                               |
|                             |   | CUSTOMER DRAWING                       |                              | DRAWING NO<br>ZEICHNUNGS-NR.<br>C=1103105         | RESTRICTED TO<br>NUR FUER<br>-                   |
|                             |   | /KUNDENZEICHNUNG                       |                              | MASSSTAB<br>1:1                                   | BLATT<br>1                                       |
|                             |   |  |                              | OF<br>VON 1                                       | REV<br>A2  |