



Chipsmall Limited consists of a professional team with an average of over 10 year of expertise in the distribution of electronic components. Based in Hongkong, we have already established firm and mutual-benefit business relationships with customers from,Europe,America and south Asia,supplying obsolete and hard-to-find components to meet their specific needs.

With the principle of “Quality Parts,Customers Priority,Honest Operation,and Considerate Service”,our business mainly focus on the distribution of electronic components. Line cards we deal with include Microchip,ALPS,ROHM,Xilinx,Pulse,ON,Everlight and Freescale. Main products comprise IC,Modules,Potentiometer,IC Socket,Relay,Connector.Our parts cover such applications as commercial,industrial, and automotives areas.

We are looking forward to setting up business relationship with you and hope to provide you with the best service and solution. Let us make a better world for our industry!



Contact us

Tel: +86-755-8981 8866 Fax: +86-755-8427 6832

Email & Skype: info@chipsmall.com Web: www.chipsmall.com

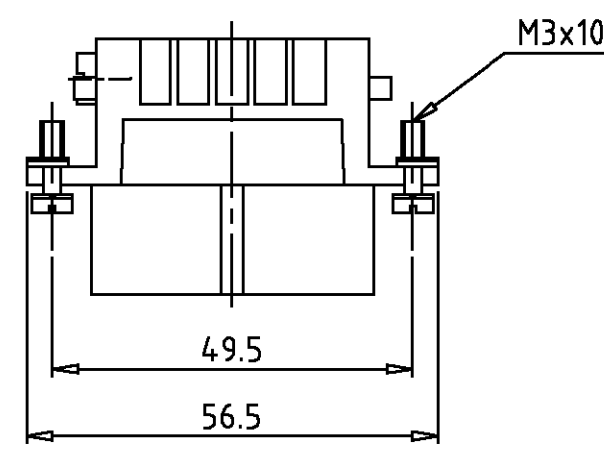
Address: A1208, Overseas Decoration Building, #122 Zhenhua RD., Futian, Shenzhen, China



THIS DRAWING IS UNPUBLISHED.
 VERTRAULICHE UNVERÖFFENTLICHTE ZEICHNUNG
 RELEASED FOR PUBLICATION
 FREI FUER VERÖFFENTLICHUNG
 .1997
 MATED WITH:
 PASSEND ZU:
 HN.D.15

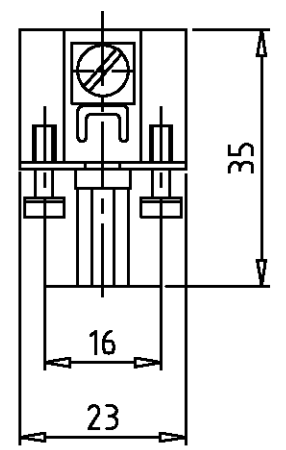
LOC AI DIST -
 P LTR
 PROJEKT NR.:
 -

REVISIONS ÄNDERUNGEN				DATE	DWN	APVD
DESCRIPTION BESCHREIBUNG						
auf neue Design geändert				25.06.01	SR	SM
Eg00-1877-01						

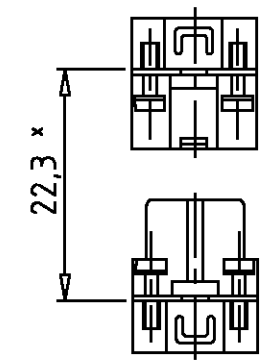


Kontaktanordnung
Contact arrangement

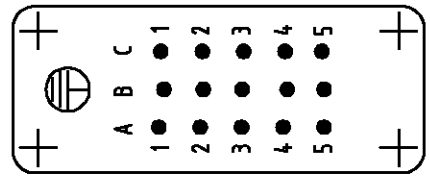
Ansicht Anschlußseite
 view from termination side



Montagehinweis
Assembling instruction

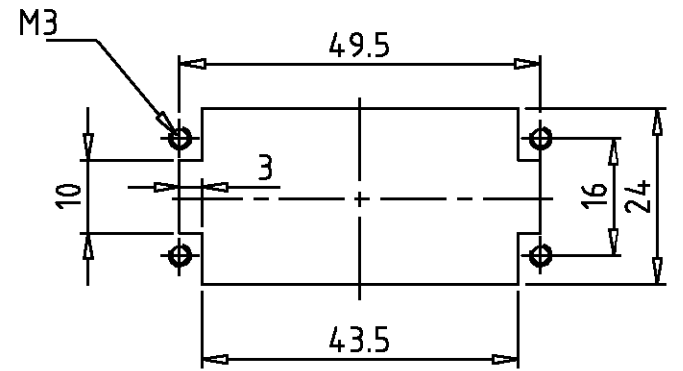


* Abstand für sichere Kontakt-
 gabe max: 24 mm



Montageausschnitt
Panel cut-out for contact insert

bei Verwendung ohne Gehäuse
 when used without housing



Notes:

- ① Material: insert, PC
 UL-File Nr.: E101788(R)
- ② Finish: zinc plated
 contact: Ag, Au

Bemerkungen:

- ① Material: Einsatz: PC
 UL-File Nr.: E101788(R)
- ② Oberfläche: verzinkt
 Kontakte: Ag, Au

1	Buchseinsatz HN.D.15. Crimp	①	dunkelgrau	1		
2-3	DESCRIPTION / BENENNUNG	MATERIAL	COLOR / FARBE	ITEM NO. POS.	REMARKS / BEMERKUNGEN	
HN.D.15.Bu.C	ORDERING TEXT / BESTELLTEXT	<small>THIS DRAWING IS A CONTROLLED DOCUMENT FOR AMP INCORPORATED. IT IS SUBJECT TO CHANGE AND THE CONTROLLING ENGINEERING ORGANIZATION SHOULD BE CONTACTED FOR THE LATEST REVISION. DIESER ZEICHNUNGSKOPF WIRD DURCH AMP INCORPORATED KONTROLLIERT. ÄNDERUNGEN, DIE DEM TECHNISCHEN FORTSCHRITT DIENEN, SIND VORBEHALTEN. DEN JEWIGEN LETZTGÜLTIGEN ÄNDERUNGSSTAND ERFAHREN SIE AUF ANFRAGE.</small>		DWN Schneider 98.03.1999	AMP HTS Elektrotechnik 53819 Neunkirchen, Germany	
		DIMENSIONS: DIMENSIONEN: mm	TOLERANCES UNLESS OTHERWISE SPECIFIED: ALL GEMEINTOLERANZEN	CHK Schweiger 98.03.1999		NAME Female insert HN.D.15 Buchseinsatz HN.D.15
			n. ISO 8015 n. ISO 2768 - mH - E n. DIN 16901 - 140 ANGLES / WINKEL #- FINISH / OBERFLÄCHE / FARBE	APVD -	PRODUCT SPEC PRODUKTSPEZ.	SIZE A3
		MATERIAL	①	②	APPLICATION SPEC VERARBEITUNGSSPEZ.	DRAWING NO ZEICHNUNGS-NR. C=1103107
					WEIGHT GEWICHT	RESTRICTED TO NUR FUER -
CUSTOMER DRAWING			/KUNDENZEICHNUNG		MASSSTAB 1:1 BLATT 1 OF 1 REV A2	