



Chipsmall Limited consists of a professional team with an average of over 10 year of expertise in the distribution of electronic components. Based in Hongkong, we have already established firm and mutual-benefit business relationships with customers from,Europe,America and south Asia,supplying obsolete and hard-to-find components to meet their specific needs.

With the principle of "Quality Parts,Customers Priority,Honest Operation,and Considerate Service",our business mainly focus on the distribution of electronic components. Line cards we deal with include Microchip,ALPS,ROHM,Xilinx,Pulse,ON,Everlight and Freescale. Main products comprise IC,Modules,Potentiometer,IC Socket,Relay,Connector.Our parts cover such applications as commercial,industrial, and automotives areas.

We are looking forward to setting up business relationship with you and hope to provide you with the best service and solution. Let us make a better world for our industry!



## Contact us

Tel: +86-755-8981 8866 Fax: +86-755-8427 6832

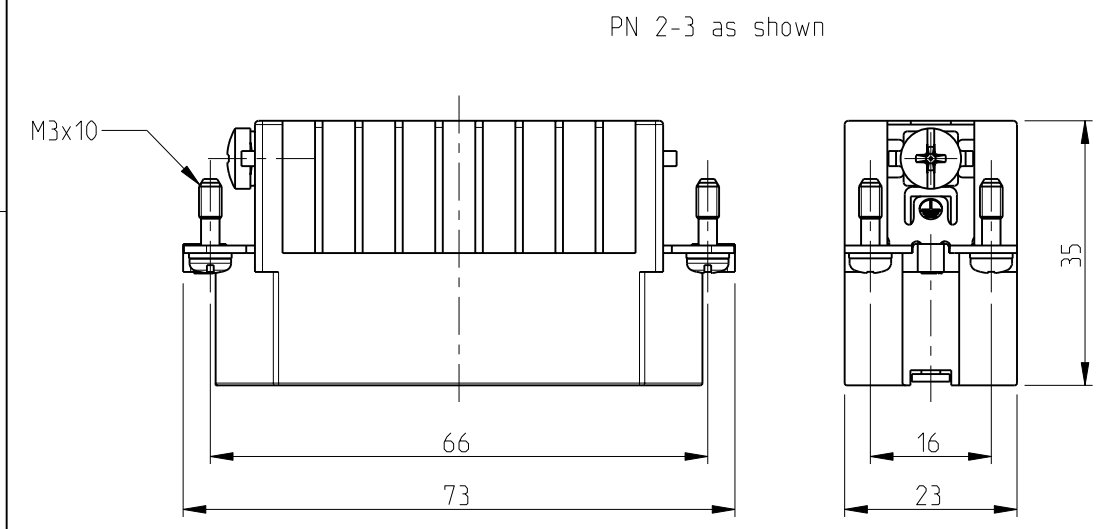
Email & Skype: info@chipsmall.com Web: www.chipsmall.com

Address: A1208, Overseas Decoration Building, #122 Zhenhua RD., Futian, Shenzhen, China

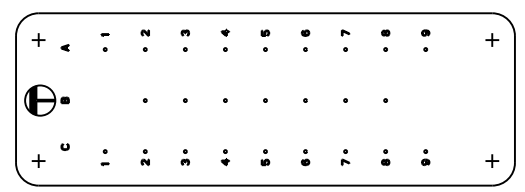


THIS DRAWING IS UNPUBLISHED. RELEASED FOR PUBLICATION .1997  
 © COPYRIGHT 1997 BY TYCO ELECTRONICS CORPORATION. ALL RIGHTS RESERVED.

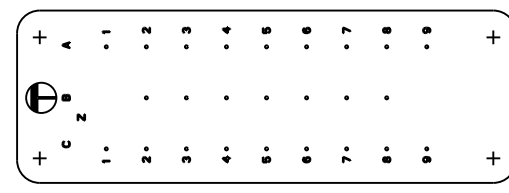
LOC	DIST	REVISIONS					
A1		P	LTR	DESCRIPTION	DATE	DWN	APVD
			A6	Released as per ECR-08-019210	31.Jul.2008	SP	TS



CONTACT ARRANGEMENT FOR PN 2-3 & 2-8  
 VIEW FROM TERMINATION SIDE

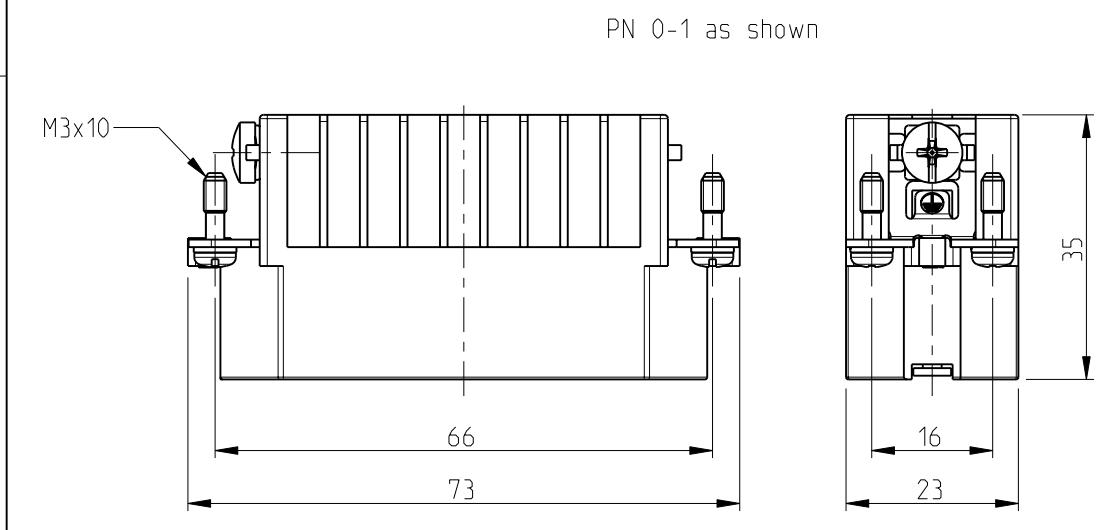


CONTACT ARRANGEMENT FOR PN 0-1  
 VIEW FROM TERMINATION SIDE

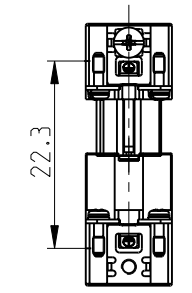


NOTES

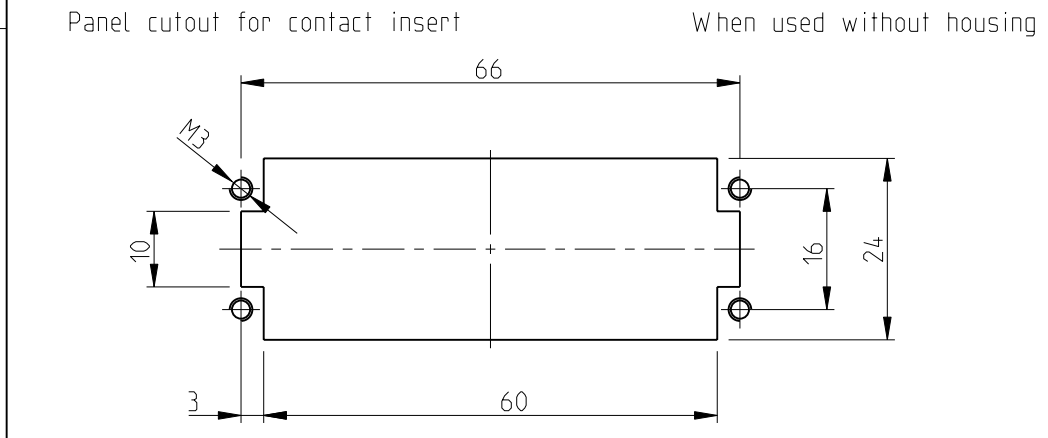
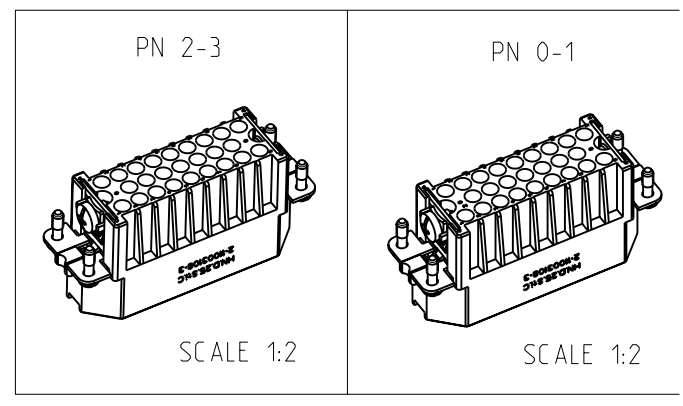
- 1 Material: Insert , PC UL-File Nr : E101788(R)
- 2 Finish: Zinc plated contact: Ag, Au
- 3 Packaging quantity 5 pieces in a box.



ASSEMBLING INSTRUCTION  
 Max. 24mm was away for safe contacting



SCALE 1:2



1	1	1	Male Insert HN.D25	Ryton	Dark Brown	2	
			Male Insert HN.D25	1	Dark Grey	1	
0-1	2-8	2-3	DESCRIPTION	MATERIAL	COLOR	ITEM NO	REMARKS
ORDERING TEXT							
HN.D25.Sti.C B1-25							
HN.D-RY.25.Sti.C B1-25							
HN.D25.Sti.C B1-25/Z							

THIS DRAWING IS A CONTROLLED DOCUMENT FOR TYCO ELECTRONICS CORPORATION IT IS SUBJECT TO CHANGE AND THE CONTROLLING ENGINEERING ORGANIZATION SHOULD BE CONTACTED FOR THE LATEST REVISION.	
DIMENSIONS: mm	TOLERANCES UNLESS OTHERWISE SPECIFIED: n. ISO 8015: n. ISO 2768-mS-E: n. DIN 16901-120
	0 PLC ± 1 PLC ± 2 PLC ± 3 PLC ± 4 PLC ± ANGLES ±
MATERIAL 1	FINISH 2

DWN	Schneider	03.11.1998	Tyco Electronics		Tyco Electronics.AMP.GmbH			
CHK	Schweiger	03.11.1998	D-53819.Neunkirchen.Germany					
APVD	-	-	NAME					
PRODUCT SPEC	Male insert							
APPLICATION SPEC	HN.D.25.Sti.C							
WEIGHT	57 g	SIZE	A3	CAGE CODE	00779	DRAWING NO	©=1103108	
CUSTOMER DRAWING			SCALE	1:1	SHEET	1 OF 1	REV	A6