



Chipsmall Limited consists of a professional team with an average of over 10 year of expertise in the distribution of electronic components. Based in Hongkong, we have already established firm and mutual-benefit business relationships with customers from,Europe,America and south Asia,supplying obsolete and hard-to-find components to meet their specific needs.

With the principle of “Quality Parts,Customers Priority,Honest Operation,and Considerate Service”,our business mainly focus on the distribution of electronic components. Line cards we deal with include Microchip,ALPS,ROHM,Xilinx,Pulse,ON,Everlight and Freescale. Main products comprise IC,Modules,Potentiometer,IC Socket,Relay,Connector.Our parts cover such applications as commercial,industrial, and automotives areas.

We are looking forward to setting up business relationship with you and hope to provide you with the best service and solution. Let us make a better world for our industry!



Contact us

Tel: +86-755-8981 8866 Fax: +86-755-8427 6832

Email & Skype: info@chipsmall.com Web: www.chipsmall.com

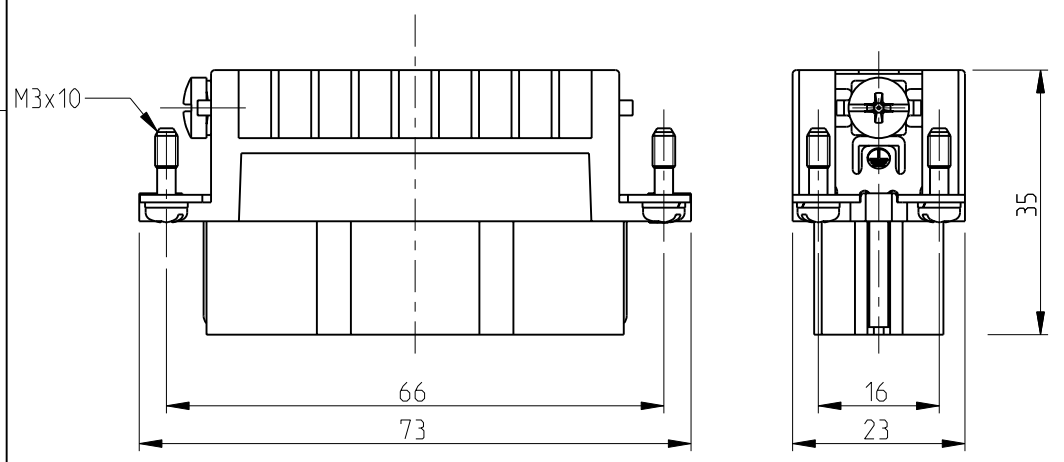
Address: A1208, Overseas Decoration Building, #122 Zhenhua RD., Futian, Shenzhen, China



THIS DRAWING IS UNPUBLISHED. RELEASED FOR PUBLICATION .1997
 © COPYRIGHT 1997 BY TYCO ELECTRONICS CORPORATION. ALL RIGHTS RESERVED.

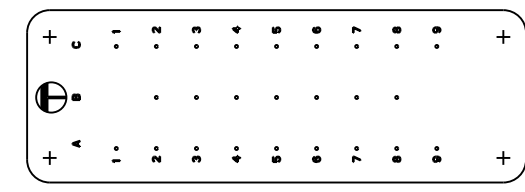
LOC		DIST		REVISIONS					
A1				P	LTR	DESCRIPTION	DATE	DWN	APVD
					A5	Released as per ECR-08-019210	31.Jul.2008	SP	TS

PN 2-3 as shown



CONTACT ARRANGEMENT FOR PN 2-3 & 2-8

VIEW FROM TERMINATION SIDE

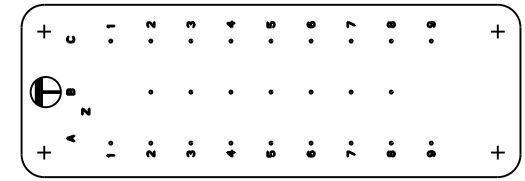


NOTES

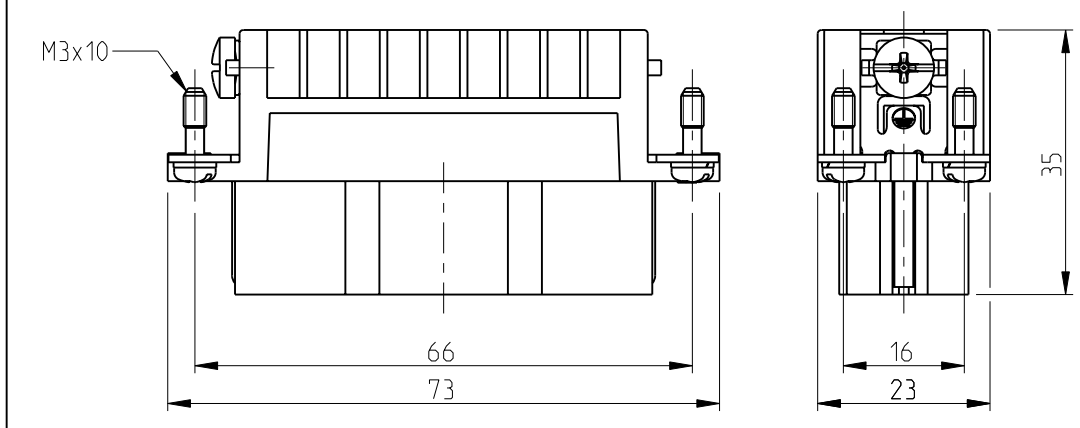
- 1 Material: Insert , PC UL-File Nr : E101788(R)
- 2 Finish: Zinc plated contact: Ag, Au
- 3 Packaging quantity 5 pieces in box.

CONTACT ARRANGEMENT FOR PN 0-1

VIEW FROM TERMINATION SIDE

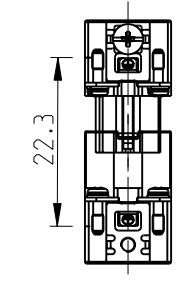


PN 0-1 as shown

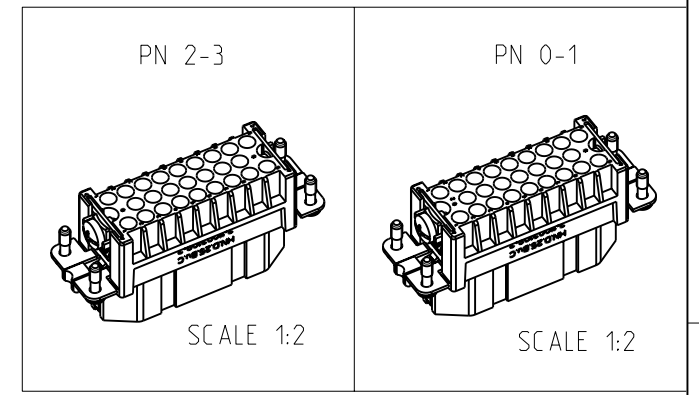


ASSEMBLING INSTRUCTION

Max. 24mm was away for safe contacting

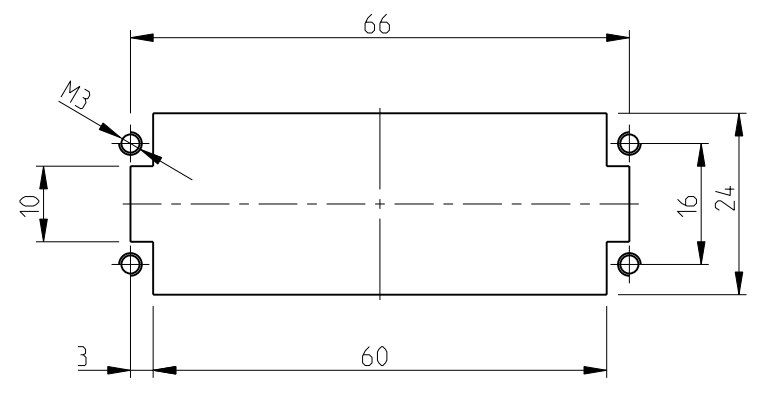


SCALE 1:2



Panel cutout for contact insert

When used without housing



1	1	Socket Insert HN.D25	Ryton	Dark Brown	2	
		Socket Insert HN.D25	1	Dark Grey	1	
0-1	2-8	2-3	DESCRIPTION	MATERIAL	COLOR	ITEM NO
ORDERING TEXT						
HN.D25.Bu.C B1-25						
HN.D RY.25.Bu.C B1-25						
HN.D25.Bu.C B1-25/Z						

DIMENSIONS: mm		TOLERANCES UNLESS OTHERWISE SPECIFIED: n:ISO 80: n:ISO 2768-mH-E: n:G1N 1991-120	
0 PLC	±	1 PLC	±
2 PLC	±	3 PLC	±
4 PLC	±	ANGLES	±
MATERIAL	1	FINISH	2

DWN	Schneider	03.11.1999	Tyco Electronics		Tyco Electronics.AMP.GmbH D-53819.Neunkirchen.Germany	
CHK	Schweiger	03.11.1999	NAME			
APVD	-	-	Female insert HN.D.25.Bu.C			
PRODUCT SPEC	-	-	SIZE	CAGE CODE	DRAWING NO	RESTRICTED TO
APPLICATION SPEC	-	-	A3	00779	1103109	
WEIGHT	57 g	CUSTOMER DRAWING				SCALE 1:1
						SHEET 1 OF 1
						REV A5