



Chipsmall Limited consists of a professional team with an average of over 10 year of expertise in the distribution of electronic components. Based in Hongkong, we have already established firm and mutual-benefit business relationships with customers from,Europe,America and south Asia,supplying obsolete and hard-to-find components to meet their specific needs.

With the principle of “Quality Parts,Customers Priority,Honest Operation,and Considerate Service”,our business mainly focus on the distribution of electronic components. Line cards we deal with include Microchip,ALPS,ROHM,Xilinx,Pulse,ON,Everlight and Freescale. Main products comprise IC,Modules,Potentiometer,IC Socket,Relay,Connector.Our parts cover such applications as commercial,industrial, and automotives areas.

We are looking forward to setting up business relationship with you and hope to provide you with the best service and solution. Let us make a better world for our industry!



## Contact us

Tel: +86-755-8981 8866 Fax: +86-755-8427 6832

Email & Skype: info@chipsmall.com Web: www.chipsmall.com

Address: A1208, Overseas Decoration Building, #122 Zhenhua RD., Futian, Shenzhen, China



4

3

2

1

THIS DRAWING IS UNPUBLISHED.  
VERTRAULICHE UNVERÖFFENTLICHTE ZEICHNUNG

RELEASED FOR PUBLICATION  
FREI FUER VERÖFFENTLICHUNG  
1997

MATED WITH:  
PASSEND ZU:  
HN.D.40

LOC  
AI

DIST  
-

P

LTR

REVISIONS  
ÄNDERUNGEN

DESCRIPTION  
BESCHREIBUNG

DATE

DWN

APVD

© COPYRIGHT 1997

BY AMP INCORPORATED.

ALL RIGHTS RESERVED.  
ALLE RECHTE VORBEHALTEN

PROJEKT NR.:

C2

ECR-09-026200

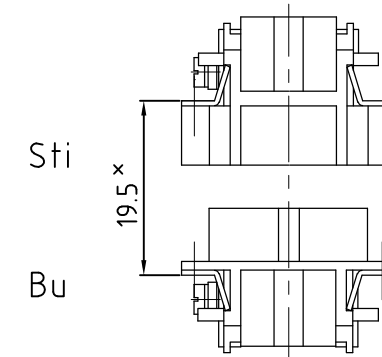
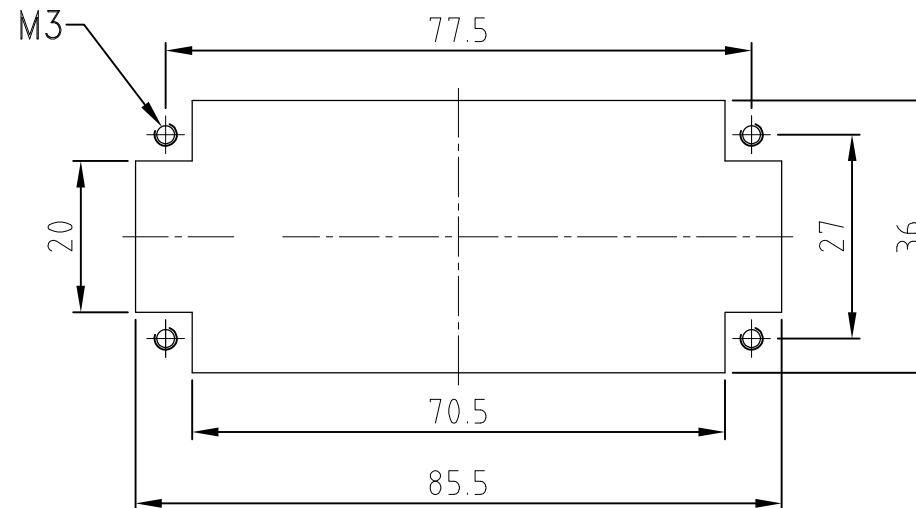
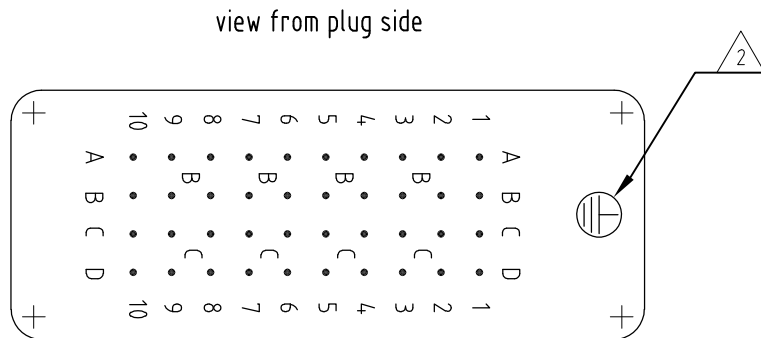
01.12.2009

SR

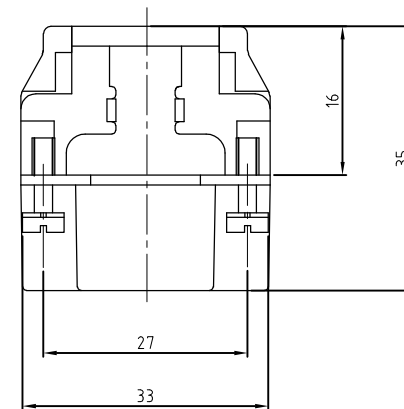
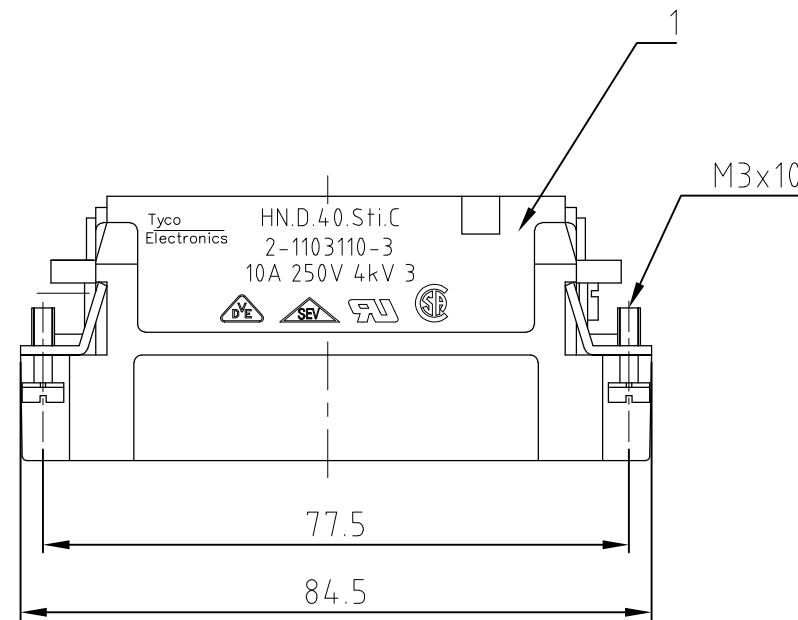
AR

Panel cut-out for contact insert when used without housing

Montagehinweis

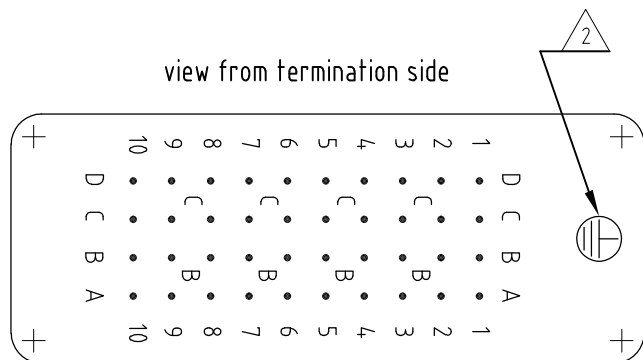


\* Abstand für sichere Kontaktgabe max: 21 mm



NOTES

- 1 CONTACT: 1 - 40  
OUTER DIMENSION OF INSULATION: MAX.  $\phi 4,3$  MM
- 2 GROUNDING CONTACT CAN BE FIXED AT THIS POSITION.
- 3 SUITABLE HOOD SIZE 6: SERIES HB, HD, EMV, AND HIP
- 4 STANDARDS: DIN EN 61984; DIN EN 60664-1
- 5 PACKAGING: 5 PIECES IN A CARTON



1	MALE INSERT ASSY	PC	dark grey	1	-
2-3	DESCRIPTION / BENENNUNG	MATERIAL	COLOR / FARBE	ITEM NO. POS.	REMARKS / BEMERKUNGEN
5	ORDERING TEXT / BESTELLTEXT HN.D.40.Sti.C	THIS DRAWING IS A CONTROLLED DOCUMENT FOR AMP INCORPORATED. IT IS SUBJECT TO CHANGE AND THE CONTROLLING ENGINEERING ORGANIZATION SHOULD BE CONTACTED FOR THE LATEST REVISION. DIESES ZEICHNUNGSDOKUMENT WIRD DURCH AMP INCORPORATED KONTROLLIERT. ÄNDERUNGEN, DIE DEM TECHNISCHEN FORTSCHRITT DIENEN, SIND VORBEHALTEN. DEN JEWEILS LETZTGÜLTIGEN ÄNDERUNGSSTAND ERFAHREN SIE AUF ANFRAGE.		DWN Schneider 12.08.1998	Tyco Electronics HTS Elektrotechnik 53819 Neunkirchen, Germany
		DIMENSIONS: DIMENSIONEN: mm		CHK Schweiger 12.08.1998	
		TOLERANCES UNLESS OTHERWISE SPECIFIED: ALLGEMEINTOLERANZEN ISO 8015 D. ISO 2768 - mH - E D. DIN 16901 - 14.0		APVD -	NAME MALE INSERT ASSY
		MATERIAL		PRODUCT SPEC PRODUKTSPEZ. 108-74002	SERIES HN.D.40 POS. CRIMP-TERMINATION
		FINISH / OBERFLÄCHE / FARBE		APPLICATION SPEC VERARBEITUNGSSPEZ. 114-74000	RESTRICTED TO NUR FUER
		WEIGHT GEWICHT 87 g	SIZE A3	CAGE CODE 00779	DRAWING NO ZEICHNUNGS-NR. G-1103110
		CUSTOMER DRAWING	/KUNDENZEICHNUNG	MASSSTAB 1:1	BLATT 1
				OF VON 1	REV C2