



Chipsmall Limited consists of a professional team with an average of over 10 year of expertise in the distribution of electronic components. Based in Hongkong, we have already established firm and mutual-benefit business relationships with customers from,Europe,America and south Asia,supplying obsolete and hard-to-find components to meet their specific needs.

With the principle of “Quality Parts,Customers Priority,Honest Operation,and Considerate Service”,our business mainly focus on the distribution of electronic components. Line cards we deal with include Microchip,ALPS,ROHM,Xilinx,Pulse,ON,Everlight and Freescale. Main products comprise IC,Modules,Potentiometer,IC Socket,Relay,Connector.Our parts cover such applications as commercial,industrial, and automotives areas.

We are looking forward to setting up business relationship with you and hope to provide you with the best service and solution. Let us make a better world for our industry!



## Contact us

Tel: +86-755-8981 8866 Fax: +86-755-8427 6832

Email & Skype: info@chipsmall.com Web: www.chipsmall.com

Address: A1208, Overseas Decoration Building, #122 Zhenhua RD., Futian, Shenzhen, China



4

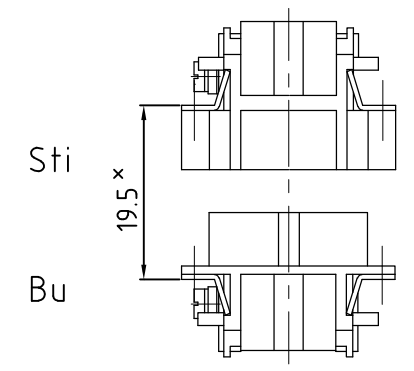
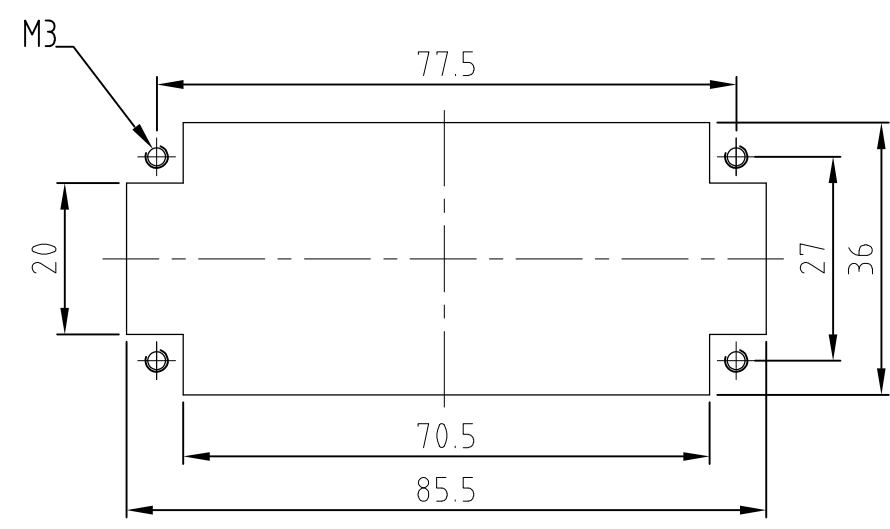
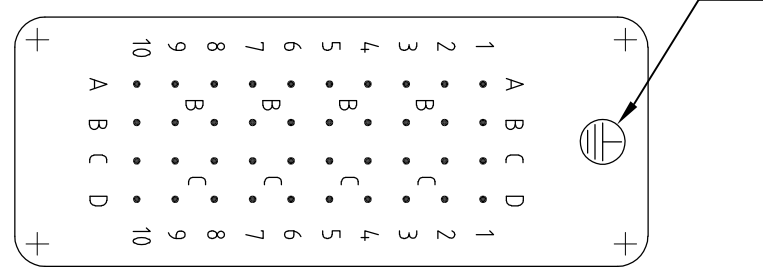
3

2

1

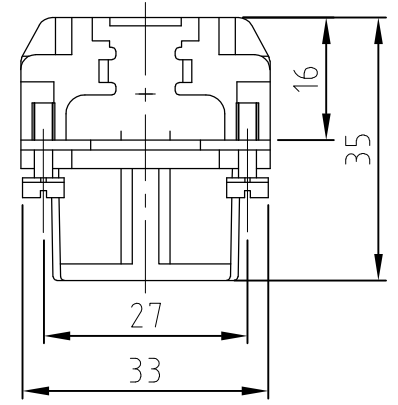
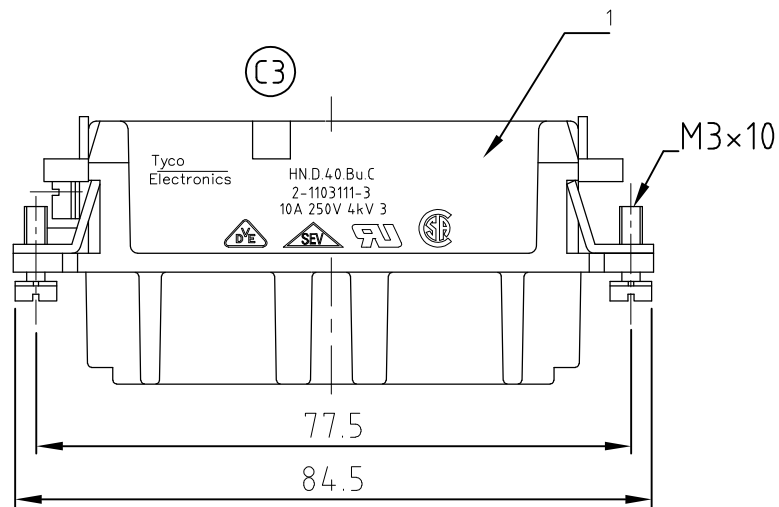
**Panel cut-out for contact insert when used without housing      Montagehinweis**

view from plug side



\* Abstand für sichere Kontaktgabe max: 21 mm

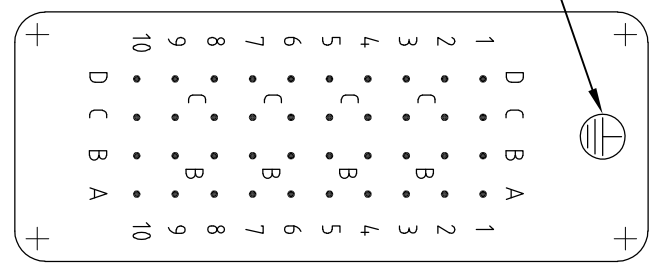
(C3)



NOTES

- 1 CONTACT: 1 - 40  
OUTER DIMENSION OF INSULATION: MAX.  $\phi 4,3$  MM
- 2 GROUNDING CONTACT CAN BE FIXED AT THIS POSITION.
- 3 SUITABLE HOOD SIZE 6: SERIES HB, HD, EMV, AND HIP
- 4 STANDARDS: DIN EN 61984; DIN EN 60664-1
- 5 PACKAGING: 5 PIECES IN A CARTON

view from termination side



1	Buchseneinsatz HN.D.40 Crimp	dark grey	1	-	REMARKS / BEMERKUNGEN	
2-3	DESCRIPTION / BENENNUNG	MATERIAL	COLOR / FARBE	ITEM NO. POS.		
5	THIS DRAWING IS A CONTROLLED DOCUMENT FOR AMP INCORPORATED. IT IS SUBJECT TO CHANGE AND THE CONTROLLING ENGINEERING ORGANIZATION SHOULD BE CONTACTED FOR THE LATEST REVISION. DIESES ZEICHNUNGSDOKUMENT WIRD DURCH AMP INCORPORATED KONTROLLIERT. ÄNDERUNGEN, DIE DEM TECHNISCHEN FORTSCHRITT DIENEN, SIND VORBEHALTEN. DEN JEWEILS LETZTIGUELIGEN ÄNDERUNGSSTAND ERFAHREN SIE AUF ANFRAGE.		DWN Schneider	12.08.1998	 HTS Elektrotechnik 53819 Neunkirchen, Germany	
	DIMENSIONS: DIMENSIONEN: mm		CHK Schweiger	12.08.1998		NAME <b>FEMALE INSERT</b> <b>BUCHSENEINSATZ HN.D.40</b>
			TOLERANCES UNLESS OTHERWISE SPECIFIED: ALLGEMEINTOLERANZEN		SIZE <b>A3</b>	
			p. ISO 8015 p. ISO 2768 - mH - E p. DIN 16901 - 14.0 0 PLC # - 1 PLC # - 2 PLC # - 3 PLC # - ANGLES / WINKEL # - FINISH / OBERFLÄCHE / FARBE			
	MATERIAL		WEIGHT GEWICHT <b>69 g</b>			CAGE CODE <b>00779</b>
HN.D.40.Bu.C		ORDERING TEXT / BESTELLTEXT		DRAWING NO ZEICHNUNGS-NR. <b>C-1103111</b>		
		CUSTOMER DRAWING		RESTRICTED TO NUR FUER		
		/KUNDENZEICHNUNG		MASSSTAB 1:1    BLATT 1 OF 1    REV C3		