



Chipsmall Limited consists of a professional team with an average of over 10 year of expertise in the distribution of electronic components. Based in Hongkong, we have already established firm and mutual-benefit business relationships with customers from,Europe,America and south Asia,supplying obsolete and hard-to-find components to meet their specific needs.

With the principle of "Quality Parts,Customers Priority,Honest Operation,and Considerate Service",our business mainly focus on the distribution of electronic components. Line cards we deal with include Microchip,ALPS,ROHM,Xilinx,Pulse,ON,Everlight and Freescale. Main products comprise IC,Modules,Potentiometer,IC Socket,Relay,Connector.Our parts cover such applications as commercial,industrial, and automotives areas.

We are looking forward to setting up business relationship with you and hope to provide you with the best service and solution. Let us make a better world for our industry!



## Contact us

Tel: +86-755-8981 8866 Fax: +86-755-8427 6832

Email & Skype: info@chipsmall.com Web: www.chipsmall.com

Address: A1208, Overseas Decoration Building, #122 Zhenhua RD., Futian, Shenzhen, China



4

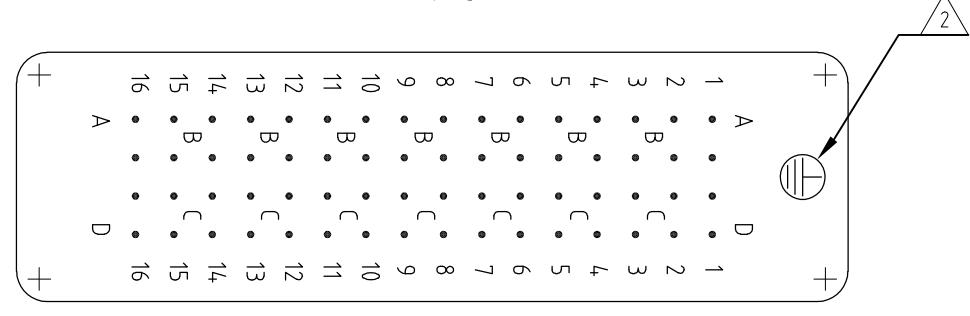
3

2

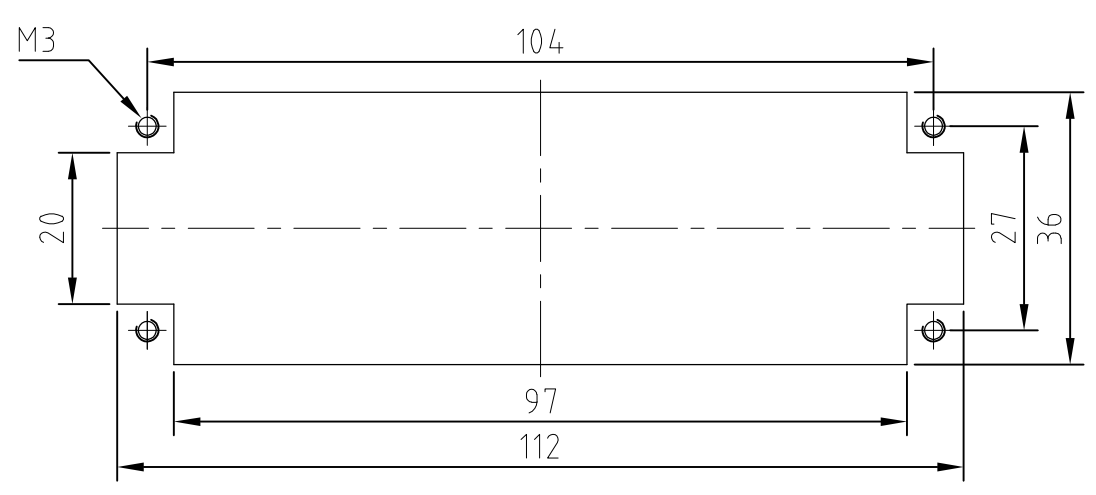
1

THIS DRAWING IS UNPUBLISHED. VERTRAULICHE UNVERÖFFENTLICHTE ZEICHNUNG		RELEASED FOR PUBLICATION FREI FUER VERÖFFENTLICHUNG		,1997		MATED WITH: PASSEND ZU: HN.D.64		LOC AI		DIST -		REVISIONS ÄNDERUNGEN		
COPYRIGHT 1997		BY AMP INCORPORATED.		ALL RIGHTS RESERVED. ALLE RECHTE VORBEHALTEN				P		LTR		DESCRIPTION BESCHREIBUNG		
								A5		ECR-09-026070		DATE 01.12.2009		
												DWN SR		
												APVD AR		

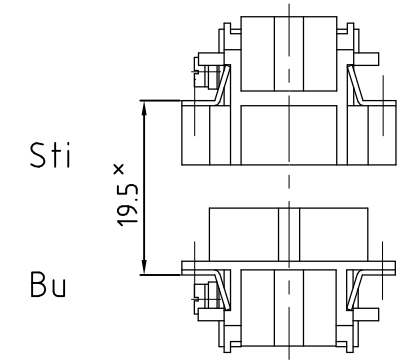
view from plug side



Panel cut-out for contact insert when used without housing



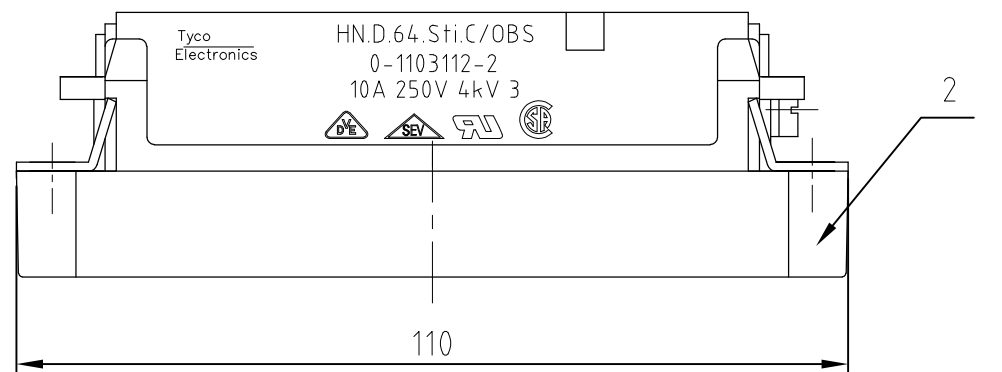
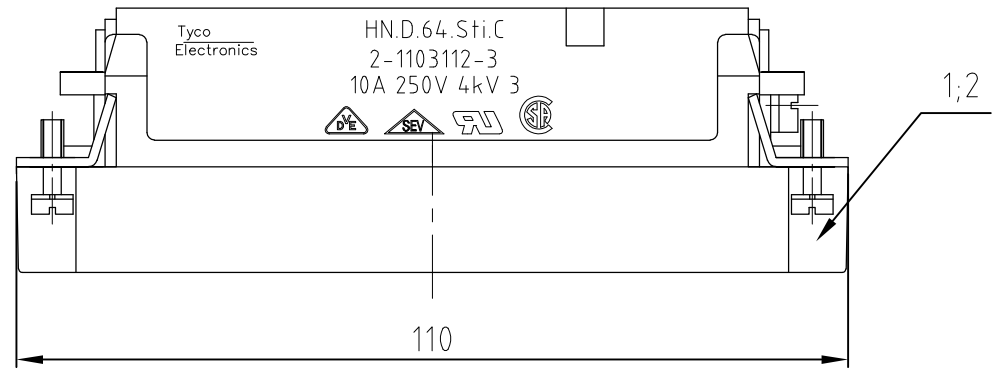
Montagehinweis



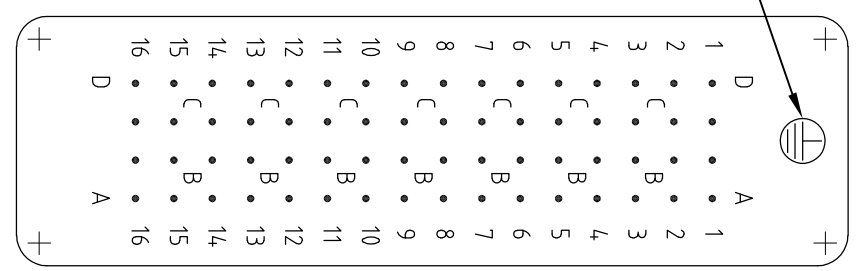
\* Abstand für sichere Kontakt-gabe max: 21 mm

NOTES

- 1 CONTACT: 1 - 64  
OUTER DIMENSION OF INSULATION: MAX.  $\phi 4,3$  MM
- 2 GROUNDING CONTACT CAN BE FIXED AT THIS POSITION.
- 3 SUITABLE HOOD SIZE 8: SERIES HB, HD, EMV, AND HIP
- 4 STANDARDS: DIN EN 61984; DIN EN 60664-1
- 5 PACKAGING: 5 PIECES IN A CARTON



view from termination side



1	Male insert HN.D.64.Sti.C-OBS	PC	dark grey	2		
1	Male insert HN.D.64.C	PC	dark grey	1		
0-2	2-3	DESCRIPTION / BENENNUNG	MATERIAL	COLOR / FARBE	ITEM NO. POS.	
5	5	<p>THIS DRAWING IS A CONTROLLED DOCUMENT FOR AMP INCORPORATED. IT IS SUBJECT TO CHANGE AND THE CONTROLLING ENGINEERING ORGANIZATION SHOULD BE CONTACTED FOR THE LATEST REVISION. DIESSES ZEICHNUNGSDOKUMENT WIRD DURCH AMP INCORPORATED KONTROLLIERT. ÄNDERUNGEN, DIE DEM TECHNISCHEN FORTSCHRITT DIENEN, SIND VORBEHALTEN. DEN JEWEILS LETZTIGUELTIGEN ÄNDERUNGSSTAND ERFAHREN SIE AUF ANFRAGE.</p> <p>DIMENSIONS: DIMENSIONEN: mm</p> <p>TOLERANCES UNLESS OTHERWISE SPECIFIED: ALLGEMEINTOLERANZEN</p> <p>ISO 8015</p> <p>D. ISO 2768 - mH - E</p> <p>D. DIN 16901 - 14.0</p> <p>0 PLC #-</p> <p>1 PLC #-</p> <p>2 PLC #-</p> <p>3 PLC #-</p> <p>ANGLES / WINKEL #-</p> <p>FINISH / OBERFLÄCHE / FARBE</p>		<p>DWN Schneider 10.08.1998</p> <p>CHK Schweiger 10.08.1998</p> <p>APVD -</p> <p>PRODUCT SPEC PRODUKTSPEZ. 108-74002</p> <p>APPLICATION SPEC VERARBEITUNGSSPEZ. 114-74000</p> <p>WEIGHT GEWICHT 87 g</p>	<p>HTS Elektrotechnik</p> <p>53819 Neunkirchen, Germany</p> <p>MALE INSERT ASSY</p> <p>SERIES HN.D.64 POS. CRIMP-TERMINATION</p> <p>NAME Tyco Electronics</p>	
HN.D.64.Sti.C/OBS	HN.D.64.Sti.C	ORDERING TEXT / BESTELLTEXT		SIZE A3	CAGE CODE 00779	
				DRAWING NO. ZEICHNUNGS-NR. C-1103112	RESTRICTED TO NUR FUER -	
				MASSSTAB 1:1	BLATT 1 OF VON 1	
				REV A5		