



Chipsmall Limited consists of a professional team with an average of over 10 year of expertise in the distribution of electronic components. Based in Hongkong, we have already established firm and mutual-benefit business relationships with customers from,Europe,America and south Asia,supplying obsolete and hard-to-find components to meet their specific needs.

With the principle of “Quality Parts,Customers Priority,Honest Operation,and Considerate Service”,our business mainly focus on the distribution of electronic components. Line cards we deal with include Microchip,ALPS,ROHM,Xilinx,Pulse,ON,Everlight and Freescale. Main products comprise IC,Modules,Potentiometer,IC Socket,Relay,Connector.Our parts cover such applications as commercial,industrial, and automotives areas.

We are looking forward to setting up business relationship with you and hope to provide you with the best service and solution. Let us make a better world for our industry!



Contact us

Tel: +86-755-8981 8866 Fax: +86-755-8427 6832

Email & Skype: info@chipsmall.com Web: www.chipsmall.com

Address: A1208, Overseas Decoration Building, #122 Zhenhua RD., Futian, Shenzhen, China

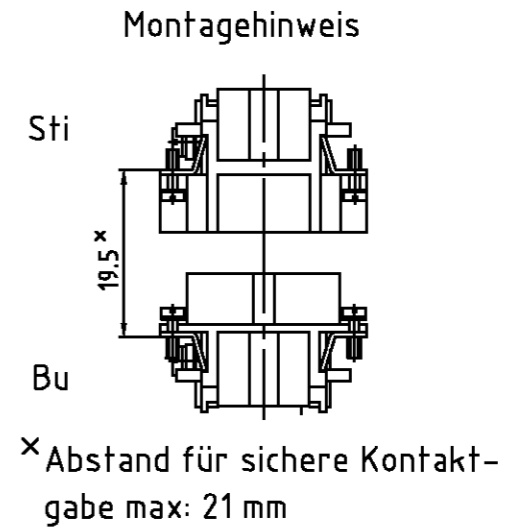
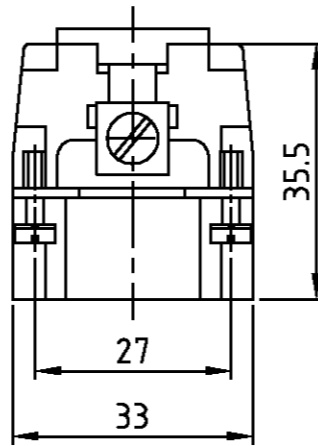
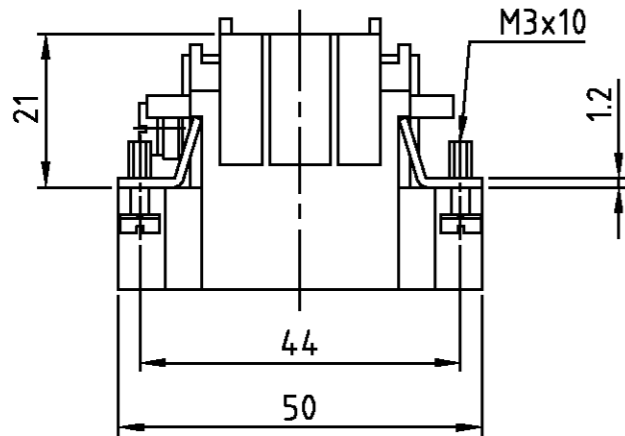


THIS DRAWING IS UNPUBLISHED.
VERTRAULICHE UNVERÖFFENTLICHTE ZEICHNUNG
© COPYRIGHT 1997
BY AMP INCORPORATED. ALL RIGHTS RESERVED.
ALLE RECHTE VORBEHALTEN

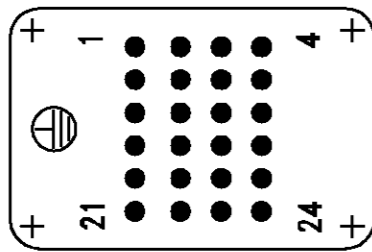
.1997

MATED WITH:
PASSEND ZU:
HN.2D

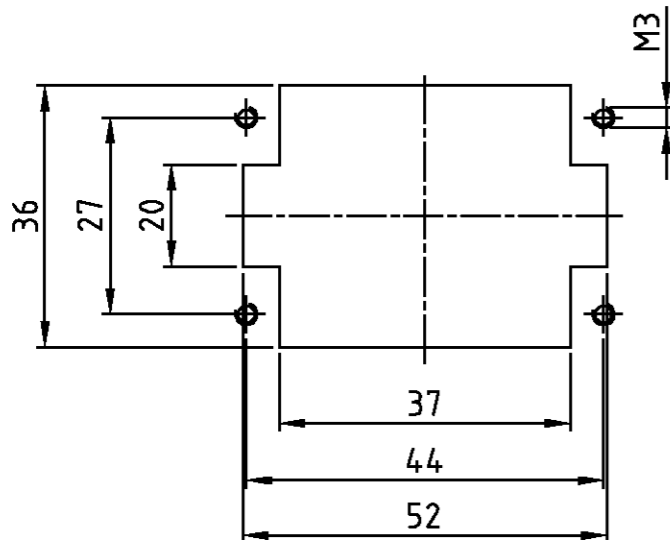
LOC A1	DIST -	REVISIONS ÄNDERUNGEN					
		P	LTR	DATE	DWN	APVD	
PROJEKT NR.: -		DESCRIPTION BESCHREIBUNG UL-File entfällt EGD0-0218-03 UL-File removed			29.09.03	SR	SM



Kontaktanordnung Ansicht Anschlußseite
Contact arrangement view from termination side



Montageausschnitt bei Verwendung ohne Gehäuse
Panel cut-out for contact insert when used without housing



- Notes,
 ① Material: insert, PC
 ② Finish: contact; Ag, Au

- Bemerkungen,
 ① Material: Einsatz: PC
 ② Oberfläche: Kontakte; Ag, Au

1	Stifteinsatz HN.2D.24 Crimp	①	dunkelgrau	1	-
2-3	DESCRIPTION / BENENNUNG	MATERIAL	COLOR / FARBE	ITEM NO. POS.	REMARKS / BEMERKUNGEN
HN.2D.24.Sti.C	ORDERING TEXT / BESTELL TEXT	THIS DRAWING IS A CONTROLLED DOCUMENT FOR AMP INCORPORATED. IT IS SUBJECT TO CHANGE AND THE CONTROLLING ENGINEERING ORGANIZATION SHOULD BE CONTACTED FOR THE LATEST REVISION. DIESES ZEICHNUNGSKOPPIERT WIRD DURCH AMP INCORPORATED KONTROLLIERT. ÄNDERUNGEN, DIE DEM TECHNISCHEN FORTSCHRITT DIENEN, SIND VORBEHALTEN. DEN JEWELIG LETZTUELTIGEN ÄNDERUNGSSTAND ERFAHREN SIE AUF ANFRAGE.		DWN Schneider 12.01.2001	HTS Elektrotechnik 53819 Neunkirchen, Germany
		DIMENSIONS: DIMENSIONEN: mm		CHK Schweiger 12.01.2001	
		TOLERANCES UNLESS OTHERWISE SPECIFIED: ALLGEMEINTOLERANZEN		APVD -	
		n. ISO 8015 n. ISO 2768 - mH -E n. DIN 16901 - 14.0 0 PLC #- 1 PLC #- 2 PLC #- 3 PLC #- ANGLES /WINKEL #- FINISH /OBERFLAECHE/FARBE		PRODUCT SPEC PRODUKTSPEZ. - APPLICATION SPEC VERARBEITUNGSSPEZ. - WEIGHT GEWICHT	
				NAME Male insert HN.2D.24 Stifteinsatz HN.2D.24	
MATERIAL		SIZE A3		CAGE CODE 00779	DRAWING NO ZEICHNUNGS-NR. C=1103200
		CUSTOMER DRAWING		/KUNDENZEICHNUNG	RESTRICTED TO NUR FUER -
		MASSSTAB 1:1		BLATT 1 OF VON 1	REV A3