



Chipsmall Limited consists of a professional team with an average of over 10 year of expertise in the distribution of electronic components. Based in Hongkong, we have already established firm and mutual-benefit business relationships with customers from,Europe,America and south Asia,supplying obsolete and hard-to-find components to meet their specific needs.

With the principle of “Quality Parts,Customers Priority,Honest Operation,and Considerate Service”,our business mainly focus on the distribution of electronic components. Line cards we deal with include Microchip,ALPS,ROHM,Xilinx,Pulse,ON,Everlight and Freescale. Main products comprise IC,Modules,Potentiometer,IC Socket,Relay,Connector.Our parts cover such applications as commercial,industrial, and automotives areas.

We are looking forward to setting up business relationship with you and hope to provide you with the best service and solution. Let us make a better world for our industry!



Contact us

Tel: +86-755-8981 8866 Fax: +86-755-8427 6832

Email & Skype: info@chipsmall.com Web: www.chipsmall.com

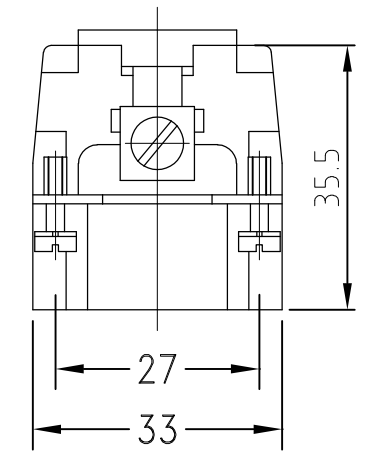
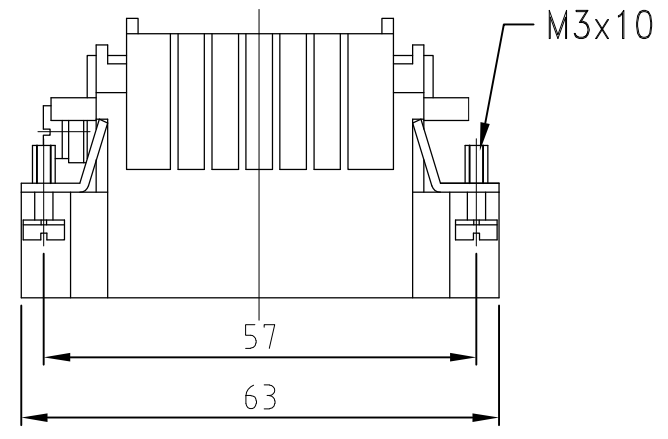
Address: A1208, Overseas Decoration Building, #122 Zhenhua RD., Futian, Shenzhen, China



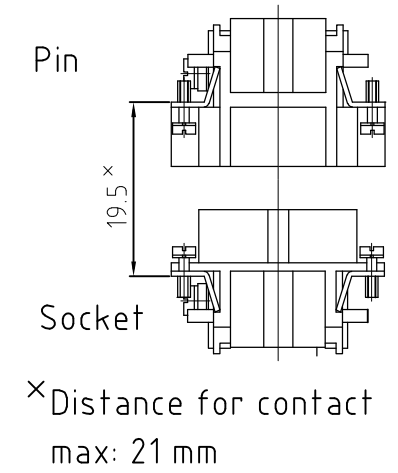
THIS DRAWING IS UNPUBLISHED. RELEASED FOR PUBLICATION
 © COPYRIGHT BY TYCO ELECTRONICS CORPORATION. ALL INTERNATIONAL RIGHTS RESERVED.

LOC	DIST	REVISIONS					
		P	LTR	DESCRIPTION	DATE	DWN	APVD
A1	—		A3	UL-File entfällt EGD0-0218-03 UL-file removed	29.09.03	SR	SM
			A4	REVISED PER ECO-11-002591	11FEB11	HMR	MM

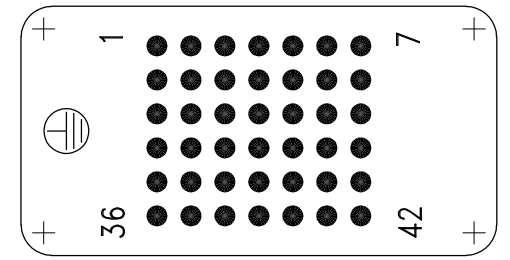
Maßbild
Outline drawing



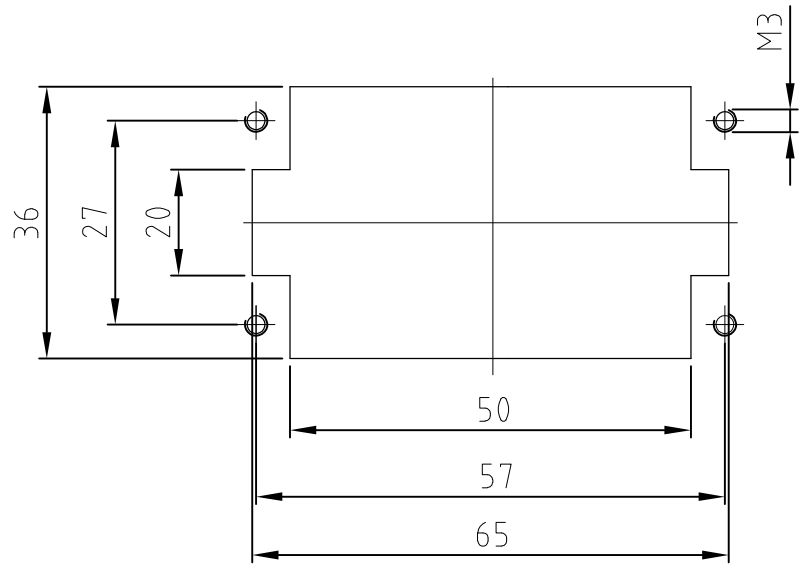
Assembly reference



Kontaktanordnung
Contact arrangement
Ansicht Anschlußseite
view from termination side



Montageausschnitt
Panel cut-out for contact insert
bei Verwendung ohne Gehäuse
when used without housing



Notes,

- 1 Material: insert, PC
- 2 Finish: contact; Ag, Au

Bemerkungen,

- 1 Material: Einsatz: PC
- 2 Oberfläche: Kontakte; Ag, Au

1	Pin Insert HN.2D.42 Crimp	1	dark gray	1	-	
2-3	DESCRIPTION / BENENNUNG	MATERIAL	COLOR / FARBE	ITEM NO. POS.	REMARKS / BEMERKUNGEN	
HN.2D.42.Sti.C	THIS DRAWING IS A CONTROLLED DOCUMENT.		DWN Schneider 10.11.1997	Tyco Electronics Corporation Harrisburg, Pa 17105-3608		
	DIMENSIONS: mm		CHK -	NAME		
	TOLERANCES UNLESS OTHERWISE SPECIFIED: GENERAL TOLERANCES ISO 8015 ISO 2768 - mH - E DIN 16901 - 14.0		APVD -	PRODUCT SPEC		
	0 PLC ± - 1 PLC ± - 2 PLC ± - 3 PLC ± - 4 PLC ± - ANGLES ± -		PRODUCT SPEC -	APPLICATION SPEC		
	MATERIAL 1		FINISH 2	WEIGHT 53g	SIZE A3	CAGE CODE 00779
CUSTOMER DRAWING			SCALE 1:1	SHEET 1 OF 1	REV A4	RESTRICTED TO -