



Chipsmall Limited consists of a professional team with an average of over 10 year of expertise in the distribution of electronic components. Based in Hongkong, we have already established firm and mutual-benefit business relationships with customers from,Europe,America and south Asia,supplying obsolete and hard-to-find components to meet their specific needs.

With the principle of “Quality Parts,Customers Priority,Honest Operation,and Considerate Service”,our business mainly focus on the distribution of electronic components. Line cards we deal with include Microchip,ALPS,ROHM,Xilinx,Pulse,ON,Everlight and Freescale. Main products comprise IC,Modules,Potentiometer,IC Socket,Relay,Connector.Our parts cover such applications as commercial,industrial, and automotives areas.

We are looking forward to setting up business relationship with you and hope to provide you with the best service and solution. Let us make a better world for our industry!



Contact us

Tel: +86-755-8981 8866 Fax: +86-755-8427 6832

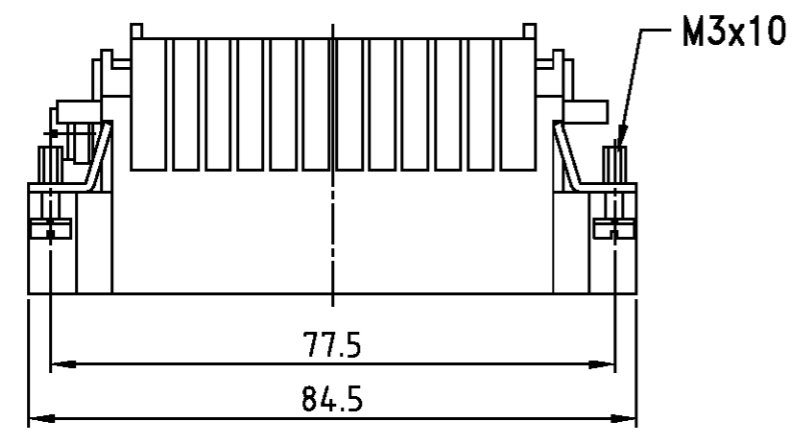
Email & Skype: info@chipsmall.com Web: www.chipsmall.com

Address: A1208, Overseas Decoration Building, #122 Zhenhua RD., Futian, Shenzhen, China

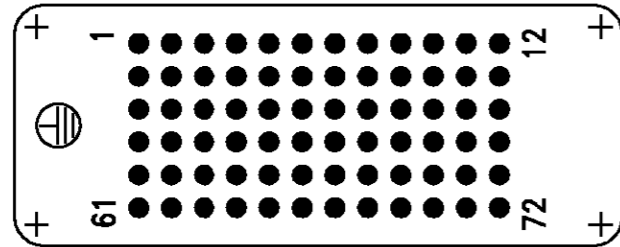


LOC	DIST	REVISIONS ÄNDERUNGEN				
AI	-	P	LTR	DATE	DWN	APVD
PROJEKT NR.:		DESCRIPTION BESCHREIBUNG				
-		UL-File erfüllt EGD0-0218-03 UL-File removed			29.09.03	SR SM

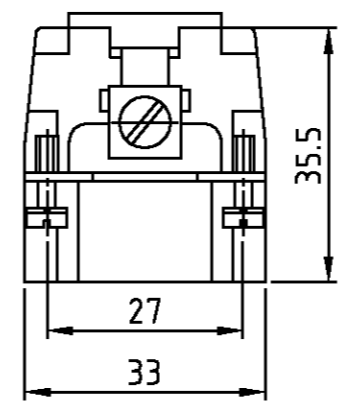
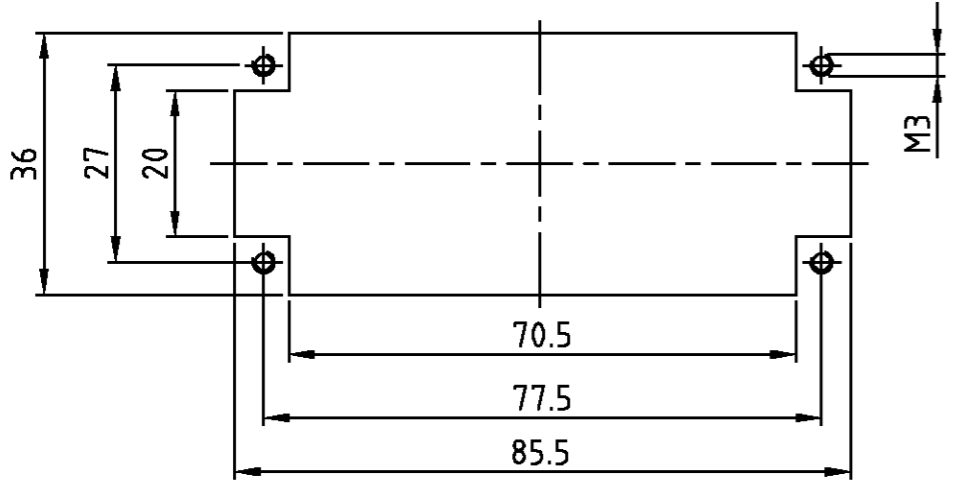
Maßbild
 Outline drawing



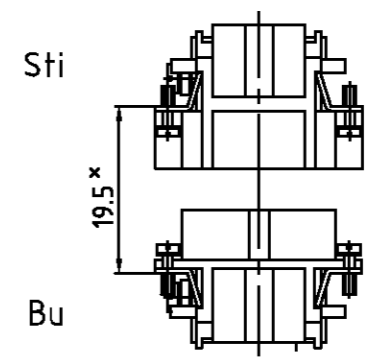
Kontaktordnung
 Contact arrangement
 Ansicht Anschlußseite
 view from termination side



Montageausschnitt
 Panel cut-out for contact insert
 bei Verwendung ohne Gehäuse
 when used without housing



Montagehinweis



x Abstand für sichere Kontakt-
 gabe max: 21 mm

- Notes,
 1 Material: insert, PC
 2 Finish: contact: Ag, Au

- Bemerkungen,
 1 Material: Einsatz: PC
 2 Oberfläche: Kontakte: Ag, Au

1	Stifteinsatz HN.2D.72 Crimp	1	dunkelgrau	1	-		
2-3	DESCRIPTION / BENENNUNG	MATERIAL	COLOR / FARBE	ITEM NO. POS.	REMARKS / BEMERKUNGEN		
HN.2D.72.St1.C	ORDERING TEXT / BESTELLTEXT	<small>THIS DRAWING IS A CONTROLLED DOCUMENT FOR AMP INCORPORATED. IT IS SUBJECT TO CHANGE AND THE CONTROLLING ENGINEERING ORGANIZATION SHOULD BE CONTACTED FOR THE LATEST REVISION. DIESER ZEICHNUNGSKOPFTEXT WIRD DURCH AMP INCORPORATED KONTROLLIERT. ÄNDERUNGEN, DIE DEM TECHNISCHEN FORTSCHRITT DIENEN, SIND VORBEHALTEN. DEN JEWILIG LETZTGÜLTIGEN ÄNDERUNGSSTAND ERFAHREN SIE AUF ANFRAGE.</small>		DWN Schneider 10.11.97	AMP HTS Elektrotechnik 53819 Neunkirchen, Germany		
		<small>TOLERANCES UNLESS OTHERWISE SPECIFIED: ALLGEMEINTOLERANZEN</small>		CHK Schweiger 10.11.97	NAME		
		<small>DIMENSIONS: DIMENSIONEN: mm</small>		APVD -	Pin insert HN.2D.72 Stifteinsatz HN.2D.72		
		<small>0 PLC #- 1 PLC #- 2 PLC #- 3 PLC #-</small>		PRODUCT SPEC 108-74002	SIZE CAGE CODE DRAWING NO A3 00779 C=1103208		
		<small>ANGLES / WINKEL #- FINISH / OBERFLÄCHE / FARBE</small>		APPLICATION SPEC 114-74000	RESTRICTED TO NUR FUER		
		WEIGHT 65 g	CUSTOMER DRAWING / KUNDENZEICHNUNG				
		MASSSTAB 1:1		BLATT 1	OF VON 1	REV A4	