



Chipsmall Limited consists of a professional team with an average of over 10 year of expertise in the distribution of electronic components. Based in Hongkong, we have already established firm and mutual-benefit business relationships with customers from,Europe,America and south Asia,supplying obsolete and hard-to-find components to meet their specific needs.

With the principle of “Quality Parts,Customers Priority,Honest Operation,and Considerate Service”,our business mainly focus on the distribution of electronic components. Line cards we deal with include Microchip,ALPS,ROHM,Xilinx,Pulse,ON,Everlight and Freescale. Main products comprise IC,Modules,Potentiometer,IC Socket,Relay,Connector.Our parts cover such applications as commercial,industrial, and automotives areas.

We are looking forward to setting up business relationship with you and hope to provide you with the best service and solution. Let us make a better world for our industry!



Contact us

Tel: +86-755-8981 8866 Fax: +86-755-8427 6832

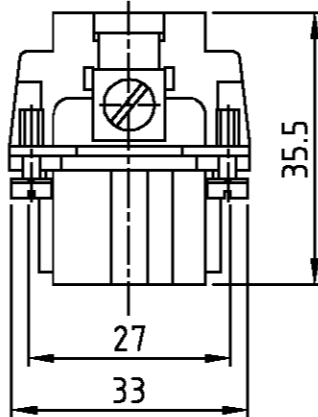
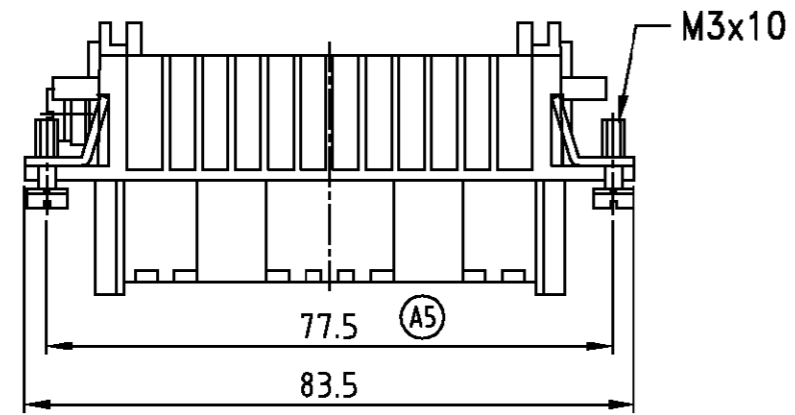
Email & Skype: info@chipsmall.com Web: www.chipsmall.com

Address: A1208, Overseas Decoration Building, #122 Zhenhua RD., Futian, Shenzhen, China

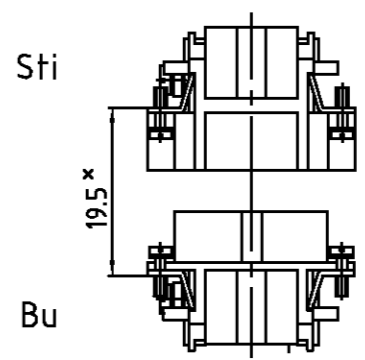


| | | | | | | | |
|--------------|------|-------------------------------------|-----|------|----------|------|------|
| LOC | DIST | REVISIONS ÄNDERUNGEN | | | | | |
| AI | - | P | LTR | DATE | DWN | APVD | |
| PROJEKT NR.: | | DESCRIPTION BESCHREIBUNG | | | DATE | DWN | APVD |
| - | | Darstellung korrigiert EGD0-0627-04 | | | 05.01.04 | SR | SM |

Maßbild
 Outline drawing

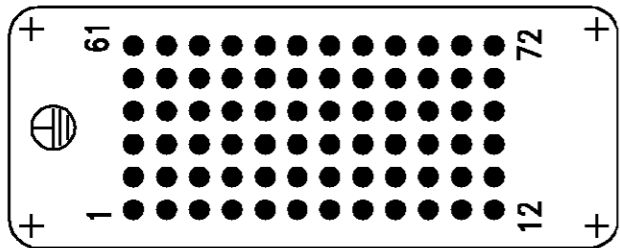


Montagehinweis

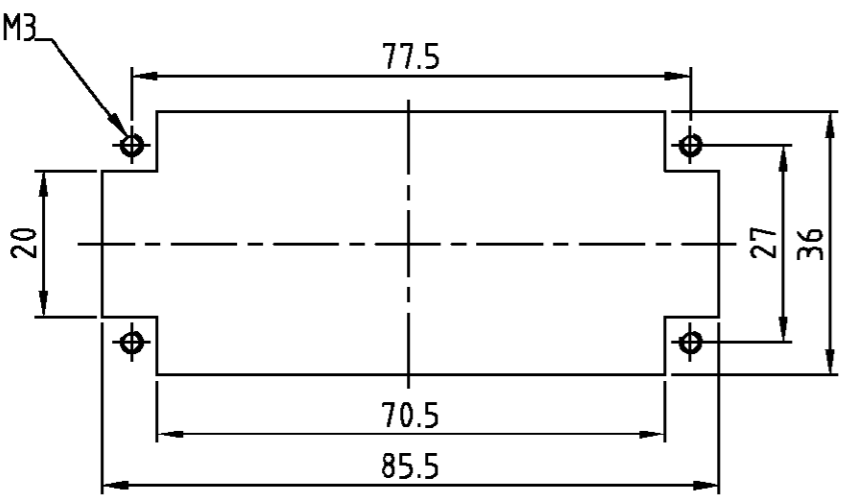


*Abstand für sichere Kontakt-
 gabe max: 21 mm

Kontaktanordnung
 Contact arrangement
 Ansicht Anschlußseite
 view from termination side



Montageausschnitt
 Panel cut-out for contact insert
 bei Verwendung ohne Gehäuse
 when used without housing



- Notes,
 1 Material: insert, PC
 2 Finish: contact: Ag, Au

- Bemerkungen,
 1 Material: Einsatz: PC
 2 Oberfläche: Kontakte: Ag, Au

| | | | | | |
|---------------|---|---|----------------------|---------------|-----------------------|
| 1 | Buchseneinsatz HN.2D.72 Crimp/socket insert crimp | 1 | dunkelgrau/dark grey | 1 | - |
| 2-3 | DESCRIPTION / BENENNUNG | MATERIAL | COLOR / FARBE | ITEM NO. POS. | REMARKS / BEMERKUNGEN |
| HN.2D.72.Bu.C | ORDERING TEXT / BESTELLTEXT | DWN Schneider 10.11.1997 CHK APVD - PRODUCT SPEC 108-74002 PRODUKTSPEZ. APPLICATION SPEC 114-74000 VERARBEITUNGSSPEZ. WEIGHT 70 g GEWICHT | | | |
| | DIMENSIONS: DIMENSIONEN: mm | TOLERANCES UNLESS OTHERWISE SPECIFIED: ALLGEMEINTOLERANZEN n. ISO 8015 n. ISO 2768 - mH -E n. DIN 16901 - 140 0 PLC #- 1 PLC #- 2 PLC #- 3 PLC #- ANGLES /WINKEL #- FINISH /OBERFLAECHE/FARBE | | | |
| | MATERIAL | HTS Elektrotechnik 53819 Neunkirchen, Germany NAME FEMALE INSERT HN.2D.72 BUCHSENEINSATZ HN.2D.72 SIZE A3 CAGE CODE 00779 DRAWING NO. ZEICHNUNGS-NR. C=1103212 RESTRICTED TO NUR FUER - CUSTOMER DRAWING /KUNDENZEICHNUNG MASSSTAB 1:1 BLATT 1 OF VON 1 REV A5 | | | |
| | | THIS DRAWING IS A CONTROLLED DOCUMENT FOR AMP INCORPORATED. IT IS SUBJECT TO CHANGE AND THE CONTROLLING ENGINEERING ORGANIZATION SHOULD BE CONTACTED FOR THE LATEST REVISION. DIESER ZEICHNUNGSKOPF WIRD DURCH AMP INCORPORATED KONTROLLIERT. ÄNDERUNGEN, DIE DEM TECHNISCHEN FORTSCHRITT DIENEN, SIND VORBEHALTEN. DEN JEWELIS LETZTQUELTIGEN ÄNDERUNGSSTAND ERFAHREN SIE AUF ANFRAGE. | | | |
| | | AMP 1470-19 REV 27JUN96 This is a TRANSLATED file from Computervision, Inc., Medusa Revision 12.2.5T | | | |