



Chipsmall Limited consists of a professional team with an average of over 10 year of expertise in the distribution of electronic components. Based in Hongkong, we have already established firm and mutual-benefit business relationships with customers from,Europe,America and south Asia,supplying obsolete and hard-to-find components to meet their specific needs.

With the principle of “Quality Parts,Customers Priority,Honest Operation,and Considerate Service”,our business mainly focus on the distribution of electronic components. Line cards we deal with include Microchip,ALPS,ROHM,Xilinx,Pulse,ON,Everlight and Freescale. Main products comprise IC,Modules,Potentiometer,IC Socket,Relay,Connector.Our parts cover such applications as commercial,industrial, and automotives areas.

We are looking forward to setting up business relationship with you and hope to provide you with the best service and solution. Let us make a better world for our industry!



Contact us

Tel: +86-755-8981 8866 Fax: +86-755-8427 6832

Email & Skype: info@chipsmall.com Web: www.chipsmall.com

Address: A1208, Overseas Decoration Building, #122 Zhenhua RD., Futian, Shenzhen, China



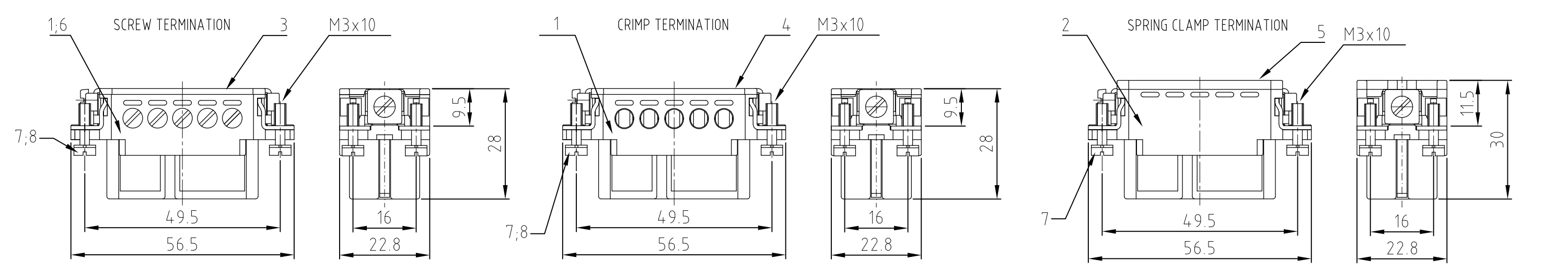
4

3

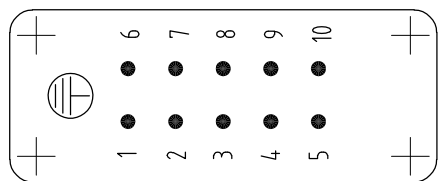
2

1

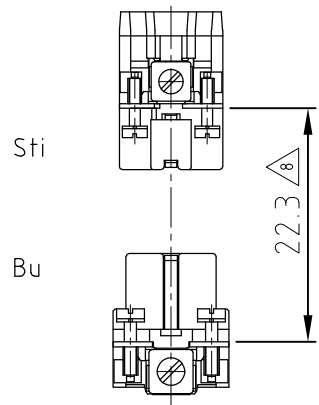
COPYRIGHT 1997 BY AMP INCORPORATED. ALL RIGHTS RESERVED. ALLE RECHTE VORBEHALTEN.	REVISIONS AENDERUNGEN			DATE	DWN	APVD
	P	LTR	DESCRIPTION BESCHREIBUNG	25.10.2005	SR	ST



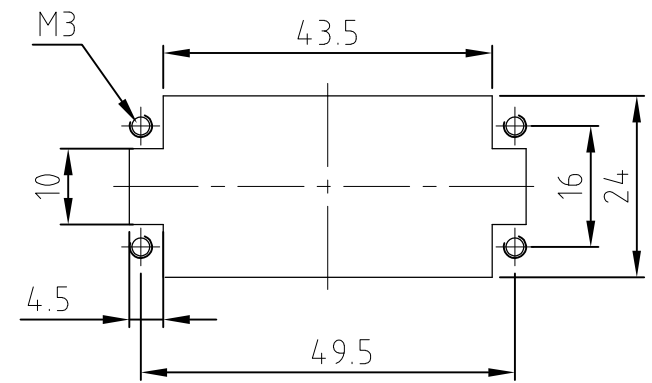
Contact arrangement / view from termination side



Assembling instruction
 ⚠ DISTANCE FOR SAFETY CONTACT MARKING MAX. 24 mm



Panel cut-out for contact insert when used without housing



- NOTES
- SUITABLE CRIMP CONTACTS: SERIES HE/HA
OUTER DIMENSIONS OF INSULATION: MAX. Ø3,2 MM
 - SUITABLE HOOD SIZE 2: SERIES HA; HD
SUITABLE INSERTION AND EXTRACTION TOOL:
SCREWDRIVER 0,5x3 DIN 5264
 - Strip lenght: Screw conection 10mm
Spring clamp conection 10mm Crimp conection 7.5mm
 - STANDARDS:
DIN EN 61984; DIN EN 60664-1
 - PACKAGING
10 SETS IN A CARTON, PRE-MOUNTED
 - SPECIAL PACKAGING
200 PIECES IN A KANN-BAN BOT
 - SPECIAL PACKAGING
100 PIECES IN A KANN-BAN BOT

			4	4				fixing screw	stainl. steel	blank/even		8	M3x10
4	4		4	4	4	4		fixing screw	Stahl/steel	nickel plated	blue	7	M3x10
			1				1	socket insert screw	PBT		light beige	6	with AU contact
							1	cover spring strain clip	PBT		light beige	5	
1	1	1	1	1			1	cover crimp	PBT		light beige	4	
							1	cover screw	PBT		light beige	3	
							1	socket insert spring strain clip	PBT		light beige	2	
1	1	1	1	1	1	1	1	socket insert crimp&screw	PBT		light beige	1	
1-2	1-0	0-9	0-8	0-4	0-6	0-5	7-1	2-3	1-1				
DESCRIPTION / BENENNUNG									MATERIAL	Surface	COLOR / FARBE	ITEM NO. POS.	NOTES

ORDERING TEXT / BESTELLTEXT	THIS DRAWING IS A CONTROLLED DOCUMENT FOR AMP INCORPORATED. IT IS SUBJECT TO CHANGE AND THE CONTROLLING ENGINEERING ORGANIZATION SHOULD BE CONTACTED FOR THE LATEST REVISION. DIESES ZEICHNUNGSDOKUMENT WIRD DURCH AMP INCORPORATED KONTROLLIERT. AENDERUNGEN, DIE DEM TECHNISCHEN FORTSCHRITT DIENEN, SIND VORBEHALTEN. DEN JEWEILS LETZTGUELTIGEN AENDERUNGSSTAND ERFAHREN SIE AUF ANFRAGE.		DWN Schneider 08.02.2000	HTS Elektrotechnik 53819 Neunkirchen, Germany	
	DIMENSIONS: DIMENSIONEN: mm		CHK Schweiger 08.02.2000		
	TOLERANCES UNLESS OTHERWISE SPECIFIED: ALLGEMEINTOLERANZEN		APVD -		NAME
	0 PLC #- 1 PLC #- 2 PLC #- 3 PLC #- ANGLES / WINKEL #- FINISH / OBERFLAECHE / FARBE		PRODUCT SPEC PRODUKTSPEZ. 108-74007		Socket insert
MATERIAL		APPLICATION SPEC VERARBEITUNGSSPEZ. 114-74009	WEIGHT GEWICHT	Buchseneinsatz HA.10.Bu	
		CUSTOMER DRAWING / KUNDENZEICHNUNG	MASSSTAB 1:1	RESTRICTED TO NUR FUER -	