



Chipsmall Limited consists of a professional team with an average of over 10 year of expertise in the distribution of electronic components. Based in Hongkong, we have already established firm and mutual-benefit business relationships with customers from,Europe,America and south Asia,supplying obsolete and hard-to-find components to meet their specific needs.

With the principle of "Quality Parts,Customers Priority,Honest Operation,and Considerate Service",our business mainly focus on the distribution of electronic components. Line cards we deal with include Microchip,ALPS,ROHM,Xilinx,Pulse,ON,Everlight and Freescale. Main products comprise IC,Modules,Potentiometer,IC Socket,Relay,Connector.Our parts cover such applications as commercial,industrial, and automotives areas.

We are looking forward to setting up business relationship with you and hope to provide you with the best service and solution. Let us make a better world for our industry!



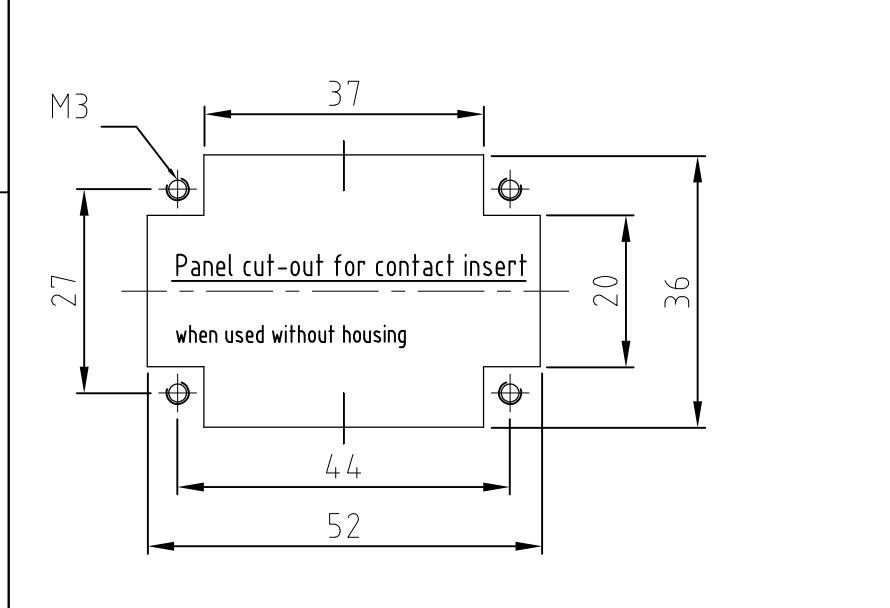
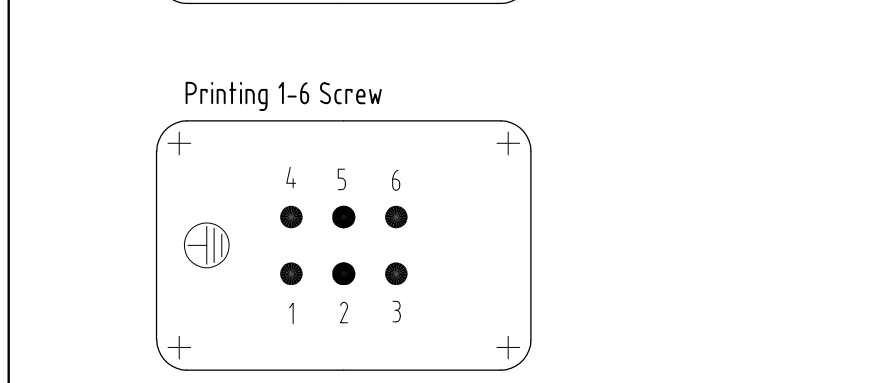
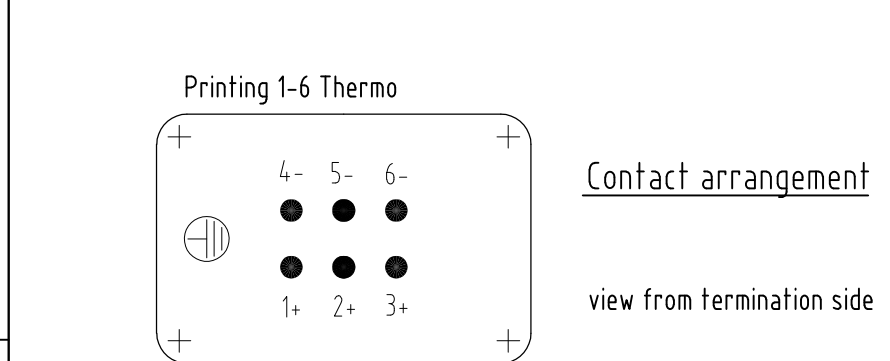
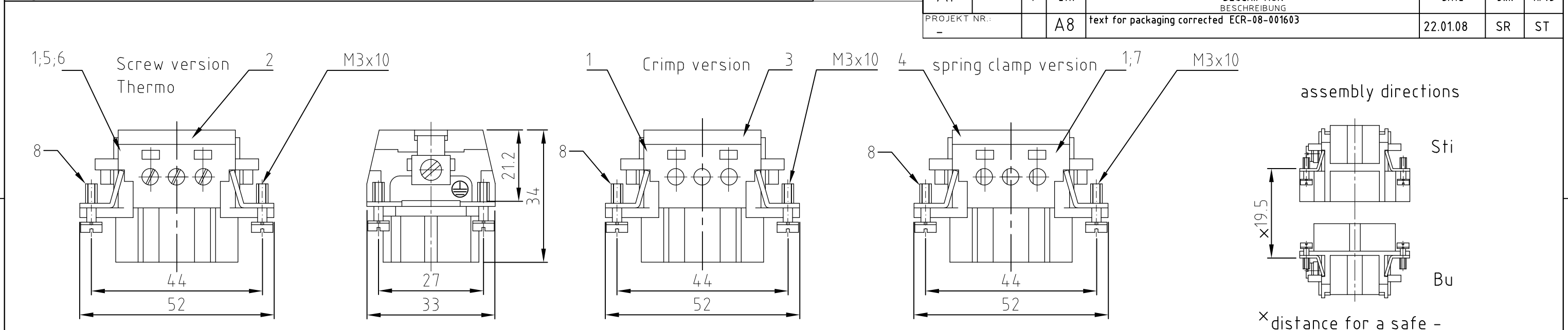
Contact us

Tel: +86-755-8981 8866 Fax: +86-755-8427 6832

Email & Skype: info@chipsmall.com Web: www.chipsmall.com

Address: A1208, Overseas Decoration Building, #122 Zhenhua RD., Futian, Shenzhen, China





- NOTES:
- 1 SUITABLE CRIMP CONTACTS: SERIES HE/HA
OUTER DIMENSIONS OF INSULATION: MAX. Ø3,2 MM
 - 2 SUITABLE HOOD SIZE 3: SERIES HB; HD; HIP; EMV
SUITABLE INSERTION AND EXTRACTION TOOL:
SCREWDRIVER 0,5x3 DIN 5264
 - 3 Strip length: Screw conection 10mm
Spring clamp conection 10mm Crimp conection 7.5mm
 - 4 STANDARDS:
DIN EN 61984; DIN EN 60664-1
 - 5 PACKAGING:
5 SETS IN A CARTON, PRE-MOUNTED
 - 6 SPECIAL PACKAGING: Krauss-Maffei
PACKAGING UNIT: 150 PIECES

4	4	4	4	4	4	fixing screw	steel	nickel plated	blue	8	M3x10	
		6				contact spring clamp	brass	silver plated		7		
	6					contact socket screw termination	brass	gold plated		6		
6					6	contact socket screw termination	brass	silver plated		5		
		1				cover spring clamp version			light grey	4		
			1			cover crimp version			light grey	3		
1	1			1	1	cover screw version			light grey	2		
1	1	1	1	1	1	socket insert			light grey	1		
0-3	0-2	7-1	2-3	1-7	1-1							
DESCRIPTION							MATERIAL		COLOR		ITEM NO. POS.	NOTES SURFACE

ORDERING TEXT / BESTELLTEXT

HE.6.Bu.S.KM
HE.6.Bu.S-AU
HE.6.Bu.SC
HE.6.Bu.C
HE.6.Bu.S-T
HE.6.Bu.S

THIS DRAWING IS A CONTROLLED DOCUMENT FOR AMP INCORPORATED. IT IS SUBJECT TO CHANGE AND THE CONTROLLING ENGINEERING ORGANIZATION SHOULD BE CONTACTED FOR THE LATEST REVISION. DIMENSIONS: DIMENSIONEN: mm. TOLERANCES UNLESS OTHERWISE SPECIFIED: ALLGEMEINTOLERANZEN. ISO 8015. ISO 2768 - mH - E. DIN 16901 - 14.0. ANGLES / WINKEL #. FINISH / OBERFLÄCHE / FARBE.

DWN: Gräf 12.02.1999
CHK: Schweiger 18.02.1999

NAME: AMP HTS Elektrotechnik 53819 Neunkirchen, Germany

PRODUCT SPEC: Female insert HE.6.BU.C/S

APPLICATION SPEC: VERARBEITUNGSSPEZ.

SIZE: A3 CAGE CODE: 00779 DRAWING NO: 1103635 RESTRICTED TO NUR FUER

CUSTOMER DRAWING / KUNDENZEICHNUNG SCALE: 1:1 SHEET: 1 OF 1 REV: A8