



Chipsmall Limited consists of a professional team with an average of over 10 year of expertise in the distribution of electronic components. Based in Hongkong, we have already established firm and mutual-benefit business relationships with customers from,Europe,America and south Asia,supplying obsolete and hard-to-find components to meet their specific needs.

With the principle of “Quality Parts,Customers Priority,Honest Operation,and Considerate Service”,our business mainly focus on the distribution of electronic components. Line cards we deal with include Microchip,ALPS,ROHM,Xilinx,Pulse,ON,Everlight and Freescale. Main products comprise IC,Modules,Potentiometer,IC Socket,Relay,Connector.Our parts cover such applications as commercial,industrial, and automotives areas.

We are looking forward to setting up business relationship with you and hope to provide you with the best service and solution. Let us make a better world for our industry!



Contact us

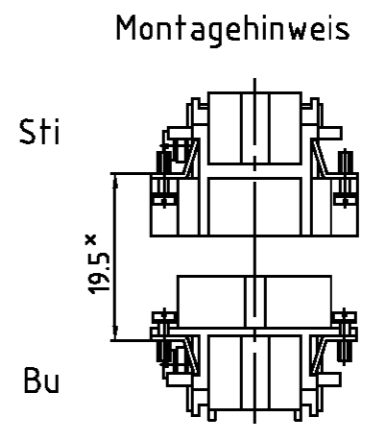
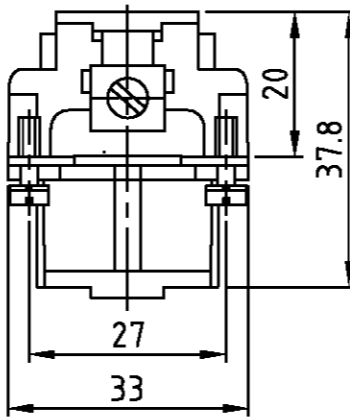
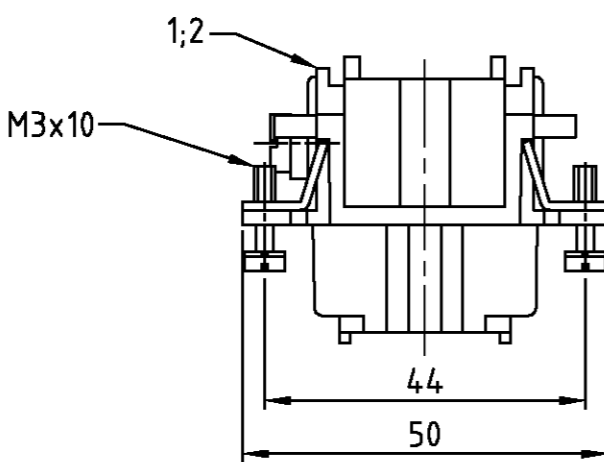
Tel: +86-755-8981 8866 Fax: +86-755-8427 6832

Email & Skype: info@chipsmall.com Web: www.chipsmall.com

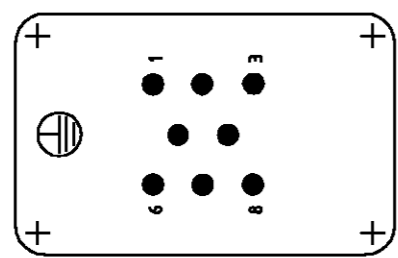
Address: A1208, Overseas Decoration Building, #122 Zhenhua RD., Futian, Shenzhen, China



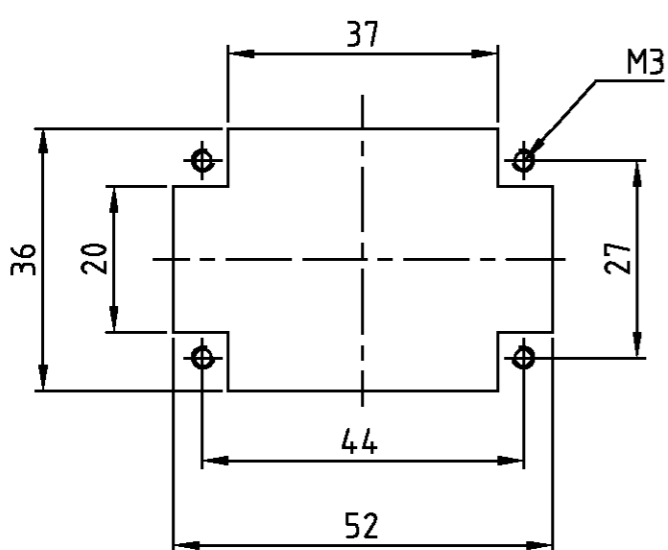
| | | | | | | | |
|--------------|------|-------------------------|-----|--------------------------|----------|------|----|
| LOC | DIST | REVISIONS ÄNDERUNGEN | | | | | |
| A1 | - | P | LTR | DATE | DWN | APVD | |
| PROJEKT NR.: | | A2 | | PN 0-1 neu; EGD0-0627-03 | 20.11.03 | SR | SM |



Kontaktanordnung Ansicht Anschlußseite
Contact arrangement view from termination side



Montageausschnitt bei Verwendung ohne Gehäuse
Panel cut-out for contact insert when used without housing



Notes,

- 1 Material: insert, PBT
UL-File Nr.: E41613(M)
- 2 Finish: contact; Ag, Au

Bemerkungen,

- 1 Material: Einsatz: PBT
UL-File Nr.: E41613(M)
- 2 Oberfläche: Kontakte; Ag, Au

| | | | | | | | |
|----------------|----------------------------------|---|---|--|--|---|---------------------------|
| 1 | Buchseneinsatz HVT/socket insert | 1 | dunkelgrau/dark grey | 2 | mit zwei Erdungsschrauben | | |
| 1 | Buchseneinsatz HVT/socket insert | 1 | dunkelgrau/dark grey | 1 | | | |
| 0-1 | 2-3 | DESCRIPTION / BENENNUNG | MATERIAL | COLOR / FARBE | ITEM NO. POS. | REMARKS / BEMERKUNGEN | |
| HVT.8.Bu.C+2ES | HVT.8.Bu.C | <small>THIS DRAWING IS A CONTROLLED DOCUMENT FOR AMP INCORPORATED. IT IS SUBJECT TO CHANGE AND THE CONTROLLING ENGINEERING ORGANIZATION SHOULD BE CONTACTED FOR THE LATEST REVISION. DIESER ZEICHNUNGSKOPF WIRD DURCH AMP INCORPORATED KONTROLLIERT. ÄNDERUNGEN, DIE DEM TECHNISCHEN FORTSCHRITT DIENEN, SIND VORBEHALTEN. DEN JEWIGEN LETZTGÜLTIGEN ÄNDERUNGSSTAND ERFAHREN SIE AUF ANFRAGE.</small> | | DWN Schneider 07.03.00 | HTS Elektrotechnik 53819 Neunkirchen, Germany | | |
| | | DIMENSIONS: DIMENSIONEN: mm | TOLERANCES UNLESS OTHERWISE SPECIFIED: ALLGEMEINTOLERANZEN n. ISO 8015 n. ISO 2768 - mH -E n. DIN 16901 - 1&0 0 PLC 1 PLC 2 PLC 3 PLC ANGLES / WINKEL # FINISH / OBERFLÄCHE / FARBE | CHK Schweiger 07.03.00 | APVD - | NAME Female insert HVT.8.Bu.C Buchseneinsatz HVT.8.Bu.C | |
| | | MATERIAL | WEIGHT GEWICHT | APPLICATION SPEC VERARBEITUNGSSPEZ. | SIZE A3 | DRAWING NO ZEICHNUNGS-NR. 1104002 | RESTRICTED TO NUR FUER |
| | | | | CUSTOMER DRAWING | /KUNDENZEICHNUNG | | SCALE MASSSTAB 1:1 |
| | | | | | SHEET BLATT 1 | OF VON 1 | REV. A2 |